

115-1696

ZAT440-FT LED

we-ef



Description

IP66, Class I, IK09. Marine-grade, die-cast aluminium alloy. 5CE superior corrosion protection including PCS hardware. Silicone CCG® Controlled Compression Gasket. PMMA main lens. Integral EC electronic converter in thermally separated compartment. CAD-optimised indirect optics for superior illumination and glare control. Factory installed LED circuit board. The luminaire is factory-sealed and does not need to be opened during installation.

| | |
|---------------------------|--------------------|
| Weight | 17.19 lb |
| Light distribution | [C50] Type V Short |
| Light source | LED-FT-24W (4000K) |
| CRI | 80 |
| Power supply | electronic gear |
| LEDs | 1 |
| Rated input power | 27 W |
| Rated lumens (lm) | |
| LED Lumen | 3417.5 |
| Total Lumen | 3417.5 |
| Ta | 25 |
| Nominal Lumen (lm) | |
| LED Lumen | 4400 |
| Total Lumen | 4400 |
| Tc | 25 |

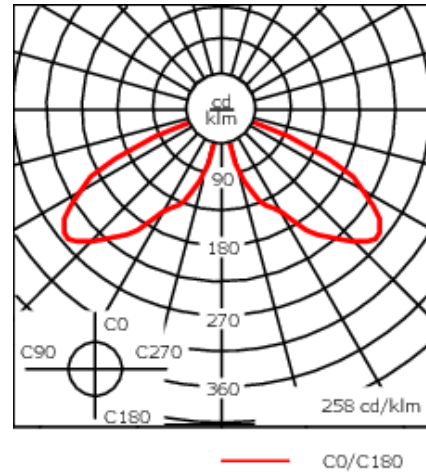
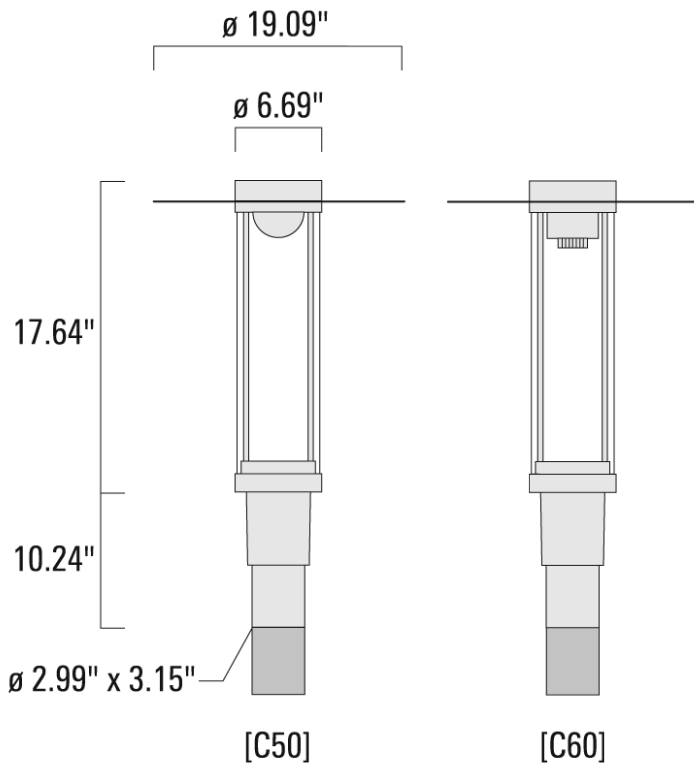
WE-EF LIGHTING USA, LLC

410-D Keystone Drive, 15086 Warrendale, PA 15086 - Phone: +1 724 742 0030
customersupport.usa@we-ef.com - <https://we-ef.com/us>
Subject to technical changes and errors. - Generated on 11/27/2024

115-1696

we-ef

ZAT440-FT LED



Specifications

Material description

| | |
|----------------------|--|
| Body | Marine-grade, die-cast aluminium alloy |
| Lens | PMMA |
| Colors | <ul style="list-style-type: none"> RAL9004 Black RAL9007 Grey Metallic RAL9016 White RAL8019 Dark Bronze |
| Gasket | Silicone CCG® Controlled Compression Gasket |
| Fasteners | PCS Polymer Coated Stainless Steel Hardware |
| Ingress protection | IP66 |
| Impact resistance | IK09 |
| Corrosion resistance | 5CE |
| Windage | 0.160 m ² |

WE-EF LIGHTING USA, LLC

410-D Keystone Drive, 15086 Warrendale, PA 15086 - Phone: +1 724 742 0030

customersupport.usa@we-ef.com - <https://we-ef.com/us>

Subject to technical changes and errors. - Generated on 11/27/2024

115-1696

we-ef

ZAT440-FT LED

Electrical description

| | |
|------------------|---------------------------------------|
| Power supply | Integral [ECG] LED driver in 120-277V |
| Driver / Ballast | Integral EC electronic converter |
| Power factor | > 0.9 |

Additional information

| | |
|----------|--|
| Lifetime | Ta=25°/40° L70B50 > 50000h |
| Listings | Contact WE-EF USA for ETL/UL certification status. |

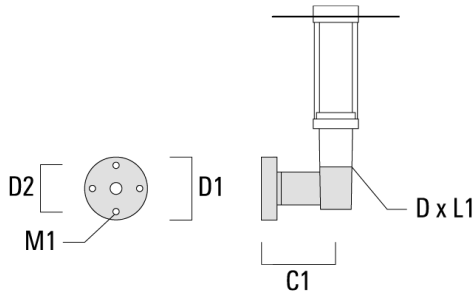
WE-EF LIGHTING USA, LLC

410-D Keystone Drive, 15086 Warrendale, PA 15086 - Phone: +1 724 742 0030
customersupport.usa@we-ef.com - <https://we-ef.com/us>
Subject to technical changes and errors. - Generated on 11/27/2024

Mounting Accessories

Wall and pole brackets RZ

| Description | Part ID | C1 | D1 | D2 | D x L1 | M1 | Weight(lb) |
|------------------------------|----------|--------|------|-------|---------|-------|------------|
| RZ0-400 Wall bracket, single | 115-1324 | 10.90" | 9.1" | 7.67" | 3" x 3" | 0.47" | 7.72 lbs |



| | | | | | | | |
|------------------------------|----------|--------|--|--|---------|--|-----------|
| RZ2-400 Pole bracket, double | 115-1323 | 10.16" | | | 3" x 3" | | 10.80 lbs |
|------------------------------|----------|--------|--|--|---------|--|-----------|

