



Description

IP55, Class I. Class II on request. IK10. Marine-grade, die-cast aluminium alloy, with polished stainless steel frame. 5CE superior corrosion protection including PCS hardware. Silicone rubber gasket. Polycarbonate main lens. Two cable entries. Factory installed LED circuit board. Integral EC electronic converter.

A pre-installation blackout is available and recommended for mounting in concrete walls. To be ordered separately.

Optional 2200 K version available. To be specified at time of ordering.

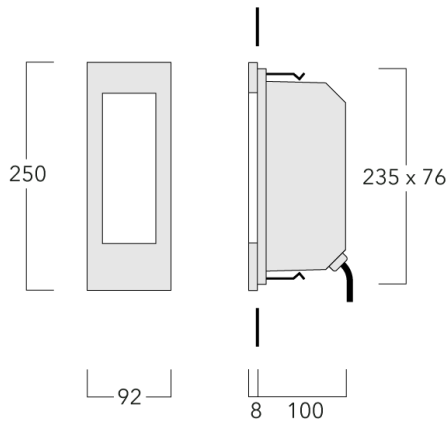
| | |
|--------------------|----------------------------|
| Weight | 1.10 kg |
| Light distribution | diffused distribution |
| Light source | LED-6/6W / 350 mA - 2700 K |
| CRI | 80 |
| Power supply | EC |
| LEDs | 6 |
| Rated input power | 7.5 W |

Nominal Lumen (lm)

| | |
|-------------|-----|
| LED Lumen | 145 |
| Total Lumen | 870 |
| Tj | 85 |


Rated lumens (lm)

| | |
|-------------|-------|
| LED Lumen | 34.2 |
| Total Lumen | 205.2 |
| Ta | 25 |



Specifications

Material description

| | |
|----------------------|---|
| Body | Marine-grade die-cast aluminium alloy |
| Lens | Polycarbonate lens |
| Colours |  Stainless Steel |
| Gasket | Silicone rubber gasket |
| Fasteners | PCS Polymer Coated Stainless Steel Hardware |
| Ingress protection | IP55 |
| Impact resistance | IK10 |
| Corrosion resistance | 5CE |

Electrical description

| | |
|------------------|----------------------------------|
| Power supply | 220-240V / 50-60 Hz |
| Driver / Ballast | Integral EC electronic converter |
| Surge protection | 1/2 kV |

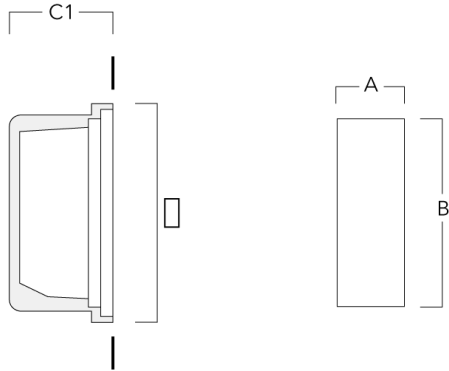
Additional information

| | |
|-------------------------|------------------------|
| Lifetime | Ta=25° L80B10 > 54000h |
| Energy efficiency class | C-D (Light source) |

Mounting Accessories

Installation blackout

| Description | Part ID | A | B | C1 |
|--------------------------------|----------|-----|-----|-----|
| Installation blackout BST25-II | 133-0078 | 267 | 132 | 140 |



| | | | | |
|-------------------------------|----------|-----|-----|-----|
| Installation blackout BST25-I | 133-0076 | 267 | 132 | 130 |
|-------------------------------|----------|-----|-----|-----|

