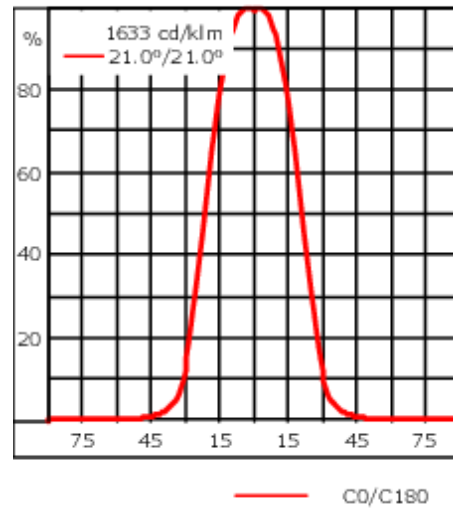
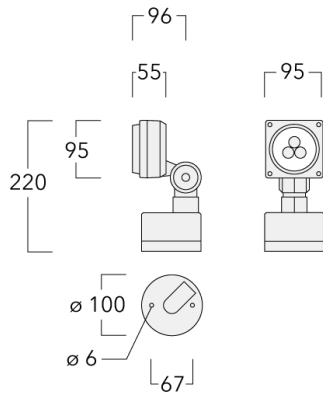




Description

IP66, Class I. IK07. Marine-grade, die-cast aluminium alloy. 5CE superior corrosion protection including PCS hardware. Silicone CCG® Controlled Compression Gasket. Safety glass lens. Integral EC electronic converter in thermally separated compartment. CAD-optimised optics for superior illumination and glare control. OLC® One LED Concept. Factory installed LED circuit board. The luminaire is factory-sealed and does not need to be opened during the installation. Optional 2200 K version available, except version [A20]. To be specified at time of ordering.

| | |
|---------------------------|----------------------------|
| Weight | 1.60 kg |
| Light distribution | symmetric, medium beam [M] |
| Light source | LED-3/6W / 700 mA - 2700 K |
| CRI | 80 |
| Power supply | EC |
| LEDs | 3 |
| Rated input power | 7.5 W |
| Nominal Lumen (lm) | |
| LED Lumen | 270 |
| Total Lumen | 810 |
| T _j | 85 |
| Rated lumens (lm) | |
| LED Lumen | 216.1 |
| Total Lumen | 648.3 |
| T _a | 25 |



Specifications

Material description

| | |
|----------------------|--|
| Body | Marine-grade, die-cast aluminium alloy |
| Lens | Safety glass lens |
| Colours | <div style="display: flex; align-items: center;"> <div style="width: 20px; height: 15px; background-color: black; margin-right: 5px;"></div> RAL9004 Signal black </div> <div style="display: flex; align-items: center; margin-top: 5px;"> <div style="width: 20px; height: 15px; background-color: #cccccc; margin-right: 5px;"></div> RAL9006 White aluminium </div> <div style="display: flex; align-items: center; margin-top: 5px;"> <div style="width: 20px; height: 15px; background-color: #808080; margin-right: 5px;"></div> RAL9007 Grey aluminium </div> <div style="display: flex; align-items: center; margin-top: 5px;"> <div style="width: 20px; height: 15px; background-color: #333333; margin-right: 5px;"></div> RAL7016 Anthracite grey </div> <div style="display: flex; align-items: center; margin-top: 5px;"> <div style="width: 20px; height: 15px; background-color: #e0e0e0; margin-right: 5px;"></div> RAL9016 Traffic white </div> |
| Gasket | Silicone CCG® Controlled Compression Gasket |
| Fasteners | PCS Polymer Coated Stainless Steel Hardware |
| Ingress protection | IP66 |
| Impact resistance | IK07 |
| Corrosion resistance | 5CE |

Electrical description

| | |
|------------------|----------------------------------|
| Power supply | 220-240V / 50-60 Hz |
| Driver / Ballast | Integral EC electronic converter |
| Surge protection | 1/2 kV |

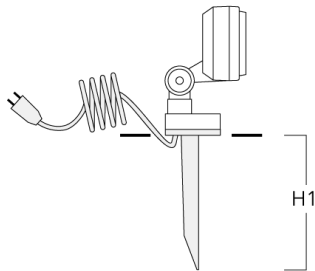
Additional information

| | |
|-------------------------|------------------------|
| Lifetime | Ta=25° L90B10 > 90000h |
| Energy efficiency class | C-D (Light source) |

Mounting Accessories

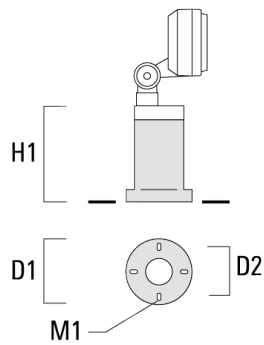
Ground spike EF

| Description | Part ID | H1 | Weight (kg) |
|----------------------------------|----------|-----|-------------|
| Ground spike EF1-2/M5 for FLD100 | 145-9196 | 270 | 1.00 |



Short post EM

| Description | Part ID | D1 | D2 | H1 | M1 | Weight (kg) |
|---------------------|----------|-----|-----|-----|----|-------------|
| Short post EM1-2/M5 | 145-9200 | 160 | 130 | 200 | 9 | 1.10 |



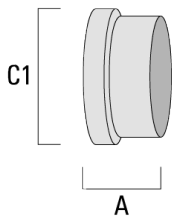
Optical Accessories**Glare shield**

| Description | Part ID | A | C1 |
|-----------------|----------|----|----|
| Glare shield ES | 145-9831 | 53 | 91 |



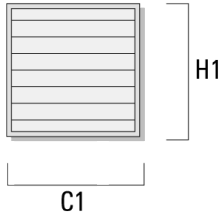
Snoot

| Description | Part ID | A | C1 |
|-------------|----------|----|----|
| Snoot ET | 145-9832 | 53 | 91 |



Linear spread lens

| Description | Part ID | C1 | H1 |
|----------------------------|----------|----|----|
| Linear spread lens IO-180* | 145-9835 | 69 | 69 |



Flood lens

| Description | Part ID | C1 | H1 |
|--------------------|----------|----|----|
| Flood lens IO-360* | 145-9836 | 69 | 69 |

