



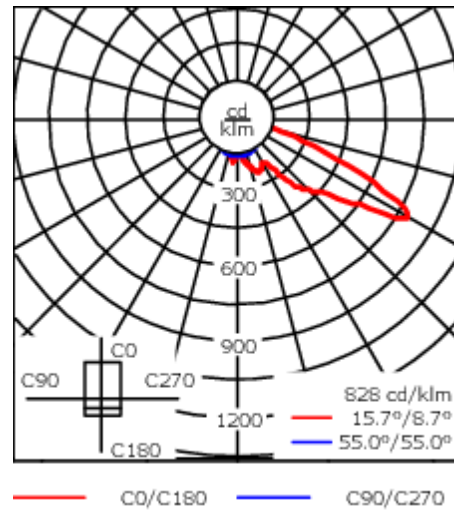
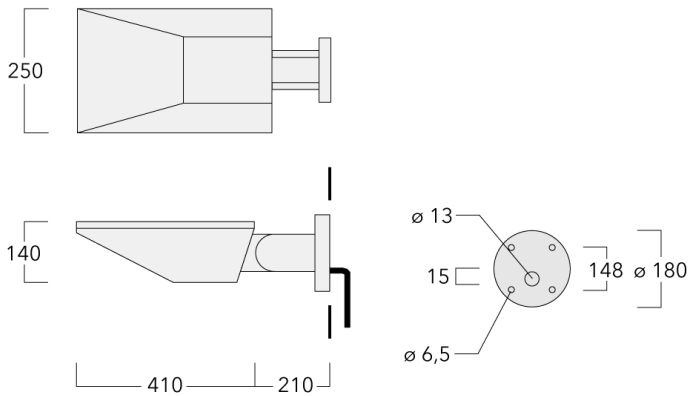
### Description

IP66, Class I. IK08. Marine-grade, die-cast aluminium alloy. 5CE superior corrosion protection including PCS hardware. Safety glass lens, hinged. Silicone CCG\_R\_ Controlled Compression Gasket.

Integral EC electronic converter in thermally-shielded compartment. Advanced thermal management protects LEDs while optimising lumens output. Removable LED boards for upgrading. CAD-optimised optics for superior illumination and glare control. OLC\_R\_ One LED Concept.

Luminaire +/-30° tiltable.

|                           |                                 |
|---------------------------|---------------------------------|
| Weight                    | 8.50 kg                         |
| Light distribution        | asymmetric, forward throw [A60] |
| Light source              | LED-18/36W / 700 mA - 2700 K    |
| CRI                       | 80                              |
| Power supply              | EC                              |
| LEDs                      | 18                              |
| Rated input power         | 41 W                            |
| <b>Nominal Lumen (lm)</b> |                                 |
| LED Lumen                 | 270                             |
| Total Lumen               | 4860                            |
| Tj                        | 85                              |
| <b>Rated lumens (lm)</b>  |                                 |
| LED Lumen                 | 202.2                           |
| Total Lumen               | 3640                            |
| Ta                        | 25                              |



## Specifications

### Material description

|                      |  |
|----------------------|--|
| Body                 | Marine-grade, die-cast aluminium alloy   |
| Lens                 | Safety glass lens, hinged  |
| Colours              | <div style="display: flex; align-items: center;"> <div style="width: 20px; height: 20px; background-color: black; margin-right: 5px;"></div> <span>RAL9004 Signal black</span> </div> <div style="display: flex; align-items: center; margin-top: 5px;"> <div style="width: 20px; height: 20px; background-color: grey; margin-right: 5px;"></div> <span>RAL9007 Grey aluminium</span> </div> <div style="display: flex; align-items: center; margin-top: 5px;"> <div style="width: 20px; height: 20px; background-color: darkgrey; margin-right: 5px;"></div> <span>RAL7016 Anthracite grey</span> </div> <div style="display: flex; align-items: center; margin-top: 5px;"> <div style="width: 20px; height: 20px; background-color: lightgrey; margin-right: 5px;"></div> <span>RAL9016 Traffic white</span> </div> |
| Gasket               | Silicone CCG® Controlled Compression Gasket  |
| Fasteners            | PCS Polymer Coated Stainless Steel Hardware  |
| Ingress protection   | IP66   |
| Impact resistance    | IK08   |
| Corrosion resistance | 5CE  |

### Electrical description

|                  |  |
|------------------|--|
| Power supply     | 220-240V / 50-60 Hz  |
| Driver / Ballast | Integral EC electronic converter in thermally-shielded compartment |

### Additional information

|          |                        |
|----------|------------------------|
| Lifetime | Ta=25° L90B10 > 90000h |
|----------|------------------------|