

185-7784

ETC120-GB LED

we-ef



Description

IP69K, Class I, IK10+. Stainless steel construction including PCS hardware. Suitable for flush installation in concrete or earth. Silicone rubber gasket. Safety glass lens; max. load 5 tonnes (11,000 lbs). Luminaire can be driven over at low speed. Factory-sealed termination chamber complete with cable gland and 3 ft of flexible PVC free, gel-impregnated anti-wicking cable. Cable gland with spiral cable bending protection. Integral driver in thermally separated compartment. 'No tool' removable gear/reflector tray. CAD-optimized optics for superior illumination and glare control. OLC® One LED Concept. Factory installed LED circuit board. Gimbal mounted, 355° rotatable and 20° tiltable.

The concrete-pour installation blackout is supplied as standard with luminaire.

Specify product with 7 Digit product code. (Other accessories, such as mounting, optical, and electrical, must be specified separately.)

Example: XXX-XXXX

+ XXX-XXXX (Accessories)

Weight	8.40 lb
Light distribution	symmetric, medium beam [M]
Light source	LED-3/9W / 1050 mA - 2700 K
CRI	80
Power supply	electronic gear
LEDs	3
Rated input power	11 W

Nominal Lumen (lm)

LED Lumen	410
Total Lumen	1230
Tj	85

Rated lumens (lm)

LED Lumen	306.8
Total Lumen	920.5
Ta	25

WE-EF LIGHTING USA, LLC

410-D Keystone Drive, 15086 Warrendale, PA 15086 - Phone: +1 724 742 0030

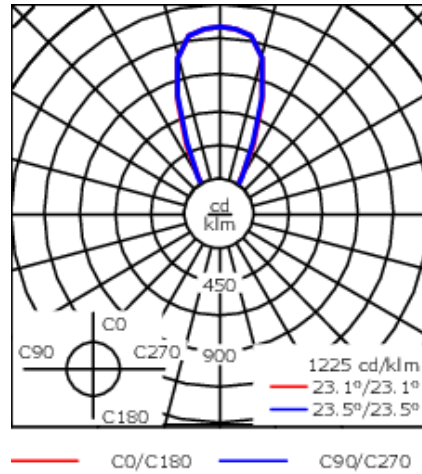
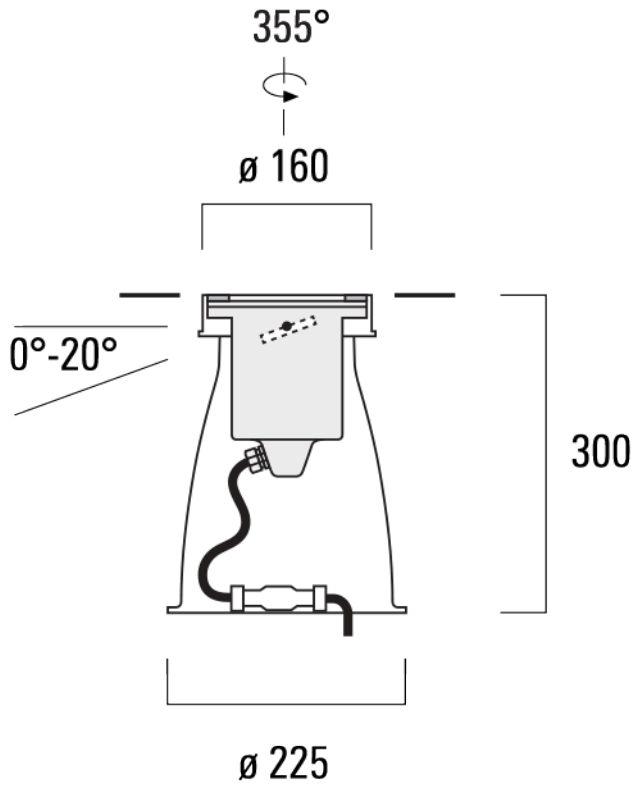
customersupport.usa@we-ef.com - <https://we-ef.com/us>

Subject to technical changes and errors. - Generated on 11/23/2024

185-7784

ETC120-GB LED

we-ef



Specifications

Material description

Colors Stainless Steel

Ingress protection IP69K

Electrical description

Additional information

Listings ETL listed. Suitable for wet locations.

WE-EF LIGHTING USA, LLC

410-D Keystone Drive, 15086 Warrendale, PA 15086 - Phone: +1 724 742 0030

customersupport.usa@we-ef.com - <https://we-ef.com/us>

Subject to technical changes and errors. - Generated on 11/23/2024

185-7784

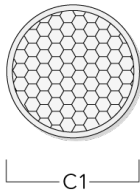
ETC120-GB LED

we-ef

Optical Accessories

Honeycomb louvre

Description	Part ID	C1
IW-ETC120_GB_LED Honeycomb louvre	185-2869	2.89



WE-EF LIGHTING USA, LLC

410-D Keystone Drive, 15086 Warrendale, PA 15086 - Phone: +1 724 742 0030
customersupport.usa@we-ef.com - <https://we-ef.com/us>
Subject to technical changes and errors. - Generated on 11/23/2024

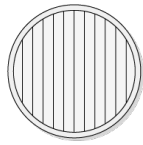
185-7784

ETC120-GB LED

we-ef

Linear spread lens

Description	Part ID	C1
Linear spread lens IO-180	185-9612	2.36



C1

WE-EF LIGHTING USA, LLC

410-D Keystone Drive, 15086 Warrendale, PA 15086 - Phone: +1 724 742 0030
customersupport.usa@we-ef.com - <https://we-ef.com/us>

Subject to technical changes and errors. - Generated on 11/23/2024