

185-7785

ETC120-GB LED

**we-ef**



### Description

IP69K, Class I, IK10+. Stainless steel construction including PCS hardware. Suitable for flush installation in concrete or earth. Silicone rubber gasket. Safety glass lens; max. load 5 tonnes (11,000 lbs). Luminaire can be driven over at low speed. Factory-sealed termination chamber complete with cable gland and 3 ft of flexible PVC free, gel-impregnated anti-wicking cable. Cable gland with spiral cable bending protection. Integral driver in thermally separated compartment. 'No tool' removable gear/reflector tray. CAD-optimized optics for superior illumination and glare control. OLC® One LED Concept. Factory installed LED circuit board. Gimbal mounted, 355° rotatable and 20° tiltable.

The concrete-pour installation blackout is supplied as standard with luminaire.

Specify product with 7 Digit product code. (Other accessories, such as mounting, optical, and electrical, must be specified separately.)

Example: XXX-XXXX

+ XXX-XXXX (Accessories)

Weight	8.40 lb
Light distribution	symmetric, very narrow beam [VN]
Light source	LED-3/9W / 1050 mA - 2700 K
CRI	80
Power supply	electronic gear
LEDs	3
Rated input power	11 W

### Nominal Lumen (lm)

LED Lumen	410
Total Lumen	1230
Tj	85

### Rated lumens (lm)

LED Lumen	336.5
Total Lumen	1009.5
Ta	25

### WE-EF LIGHTING USA, LLC

410-D Keystone Drive, 15086 Warrendale, PA 15086 - Phone: +1 724 742 0030

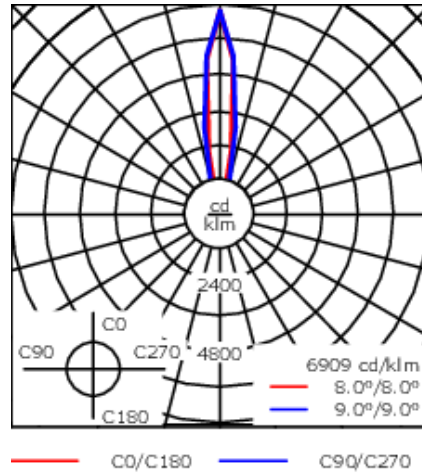
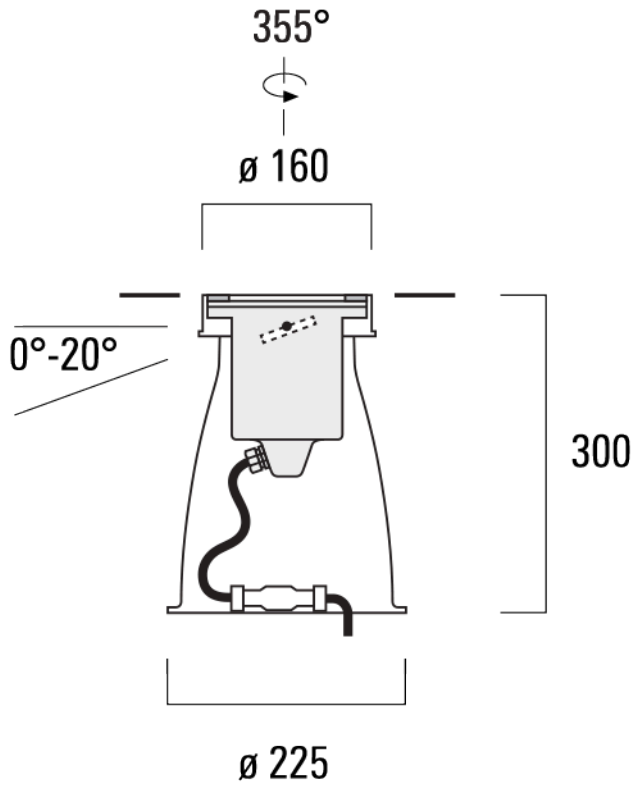
customersupport.usa@we-ef.com - <https://we-ef.com/us>

Subject to technical changes and errors. - Generated on 11/23/2024

185-7785

ETC120-GB LED

**we-ef**



## Specifications

### Material description

Colors  Stainless Steel

Ingress protection IP69K

### Electrical description

### Additional information

Listings ETL listed. Suitable for wet locations.

#### WE-EF LIGHTING USA, LLC

410-D Keystone Drive, 15086 Warrendale, PA 15086 - Phone: +1 724 742 0030

customersupport.usa@we-ef.com - <https://we-ef.com/us>

Subject to technical changes and errors. - Generated on 11/23/2024

185-7785

ETC120-GB LED

**we-ef**

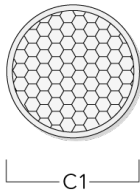
## Optical Accessories

### Honeycomb louvre

---

Description	Part ID	C1
IW-ETC120_GB_LED Honeycomb louvre	185-2869	2.89

---



---

#### WE-EF LIGHTING USA, LLC

410-D Keystone Drive, 15086 Warrendale, PA 15086 - Phone: +1 724 742 0030  
customersupport.usa@we-ef.com - <https://we-ef.com/us>

Subject to technical changes and errors. - Generated on 11/23/2024

**185-7785**

**ETC120-GB LED**

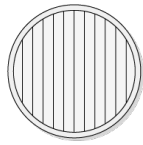
**we-ef**

**Linear spread lens**

---

Description	Part ID	C1
Linear spread lens IO-180	185-9612	2.36

---



C1

**WE-EF LIGHTING USA, LLC**

410-D Keystone Drive, 15086 Warrendale, PA 15086 - Phone: +1 724 742 0030  
customersupport.usa@we-ef.com - <https://we-ef.com/us>

Subject to technical changes and errors. - Generated on 11/23/2024