



Description

IP66, Class I. Class II on request. IK10. Marine-grade die-cast aluminium alloy. 5CE superior corrosion protection including PCS hardware. Silicone CCG® Controlled Compression Gasket. Polycarbonate main lens. CAD-optimised optics for superior illumination and glare control.

Service door with fused cable connecting box.

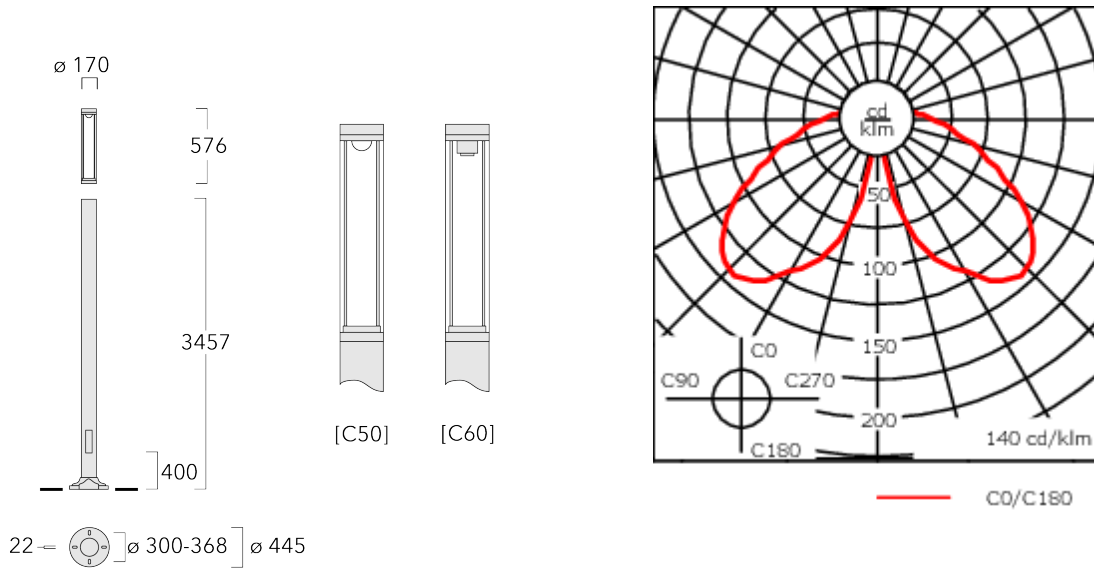
| | |
|--------------------|------------------------------|
| Weight | 25.00 kg |
| Light distribution | symmetric distribution [C60] |
| Light source | LED-FT-37W / 700 mA - 2700 K |
| CRI | 80 |
| Power supply | EC |
| LEDs | 1 |
| Rated input power | 42 W |

Rated lumens (lm)

| | |
|-------------|--------|
| LED Lumen | 4145.7 |
| Total Lumen | 4145.7 |
| Ta | 25 |

Nominal Lumen (lm)

| | |
|-------------|------|
| LED Lumen | 6145 |
| Total Lumen | 6145 |
| Tc | 25 |

115-1838**LTM440 LED-FT****we-ef**

Specifications

Material description

| | |
|----------------------|---|
| Body | Marine-grade, all-aluminium construction |
| Lens | Polycarbonate lens |
| Colours | <ul style="list-style-type: none"> RAL9004 Signal black RAL9006 White aluminium RAL9007 Grey aluminium RAL7016 Anthracite grey RAL9016 Traffic white |
| Gasket | Silicone CCG® Controlled Compression Gasket |
| Fasteners | PCS Polymer Coated Stainless Steel hardware |
| Ingress protection | IP66 |
| Impact resistance | IK10 |
| Corrosion resistance | 5CE |

Electrical description

| | |
|------------------|----------------------------------|
| Power supply | 220-240V / 50-60 Hz |
| Driver / Ballast | Integral EC electronic converter |
| Surge protection | 10/10kV |

Additional information

| | |
|-------------------------|------------------------|
| Lifetime | Ta=25° L70B50 > 50000h |
| Energy efficiency class | B-C (Light source) |

WE-EF LEUCHTEN GmbH

Töpinger Straße 16, 29646 Bispingen, Germany - Phone: +49 5194 909-0

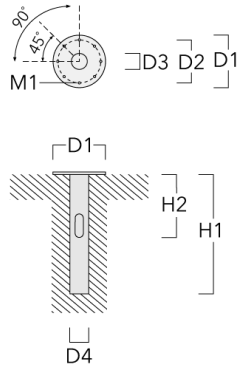
info@we-ef.com - <https://we-ef.com>

Subject to technical changes and errors. - Generated on 23/10/2024

Mounting Accessories

Planted root

| Description | Part ID | D1 | D2 | D3 | D4 | H1 | H2 | M1 | Weight (kg) |
|--------------------|----------|-----|-----|-----|-----|------|-----|----|-------------|
| Planted root ESV10 | 300-0949 | 415 | 340 | 126 | 133 | 1000 | 500 | 18 | 25.30 |



115-1838

LTM440 LED-FT

we-ef

Optical Accessories

Light shield

| Description | Part ID |
|-------------|----------|
| LS180-[C60] | 159-0321 |

WE-EF LEUCHTEN GmbH

Töpinger Straße 16, 29646 Bispingen, Germany - Phone: +49 5194 909-0

info@we-ef.com - <https://we-ef.com>

Subject to technical changes and errors. - Generated on 23/10/2024

115-1838

LTM440 LED-FT

WE-EF LEUCHTEN GmbH

Töpinger Straße 16, 29646 Bispingen, Germany

Phone: +49 5194 909-0

info@we-ef.com

<https://we-ef.com>

Subject to technical changes and errors.

Generated on 23/10/2024