



Description

Tunable White. IP66, Class I. IK07. Marine-grade, die-cast aluminium alloy. 5CE superior corrosion protection + primer including PCS hardware. Silicone CCG® Controlled Compression Gasket. Safety glass lens. One cable gland. Second gland for through-wiring on request. Integral EC electronic converter in thermally-separated compartment. CAD-optimised optics for superior illumination and glare control. OLC® One LED Concept. Factory-installed LED circuit board, Tunable White Technology. DALI interface.

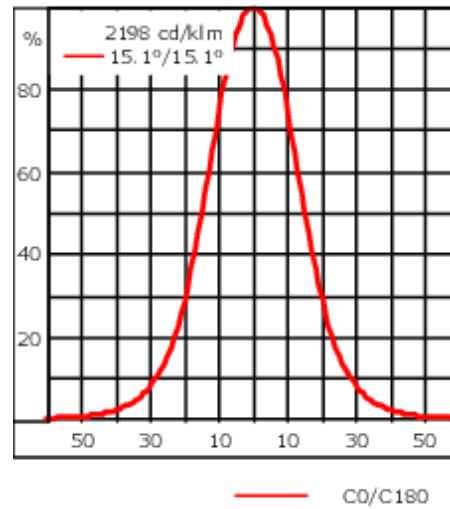
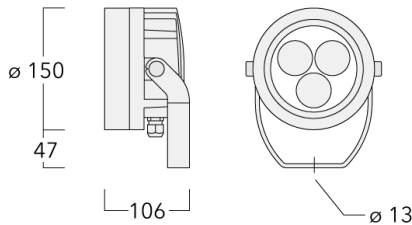
| | |
|--------------------|----------------------------|
| Weight | 4.00 kg |
| Light distribution | symmetric, medium beam [M] |
| Light source | LED-3/11W - 2200-6000 K |
| CRI | 80 |
| Power supply | EC |
| LEDs | 3 |
| Rated input power | 13 W |

Nominal Lumen (lm)

| | |
|-------------|------|
| LED Lumen | 420 |
| Total Lumen | 1260 |
| Tj | 85 |

Rated lumens (lm)

| | |
|-------------|-------|
| LED Lumen | 321.1 |
| Total Lumen | 963.4 |
| Ta | 25 |



Specifications

Material description

| | |
|----------------------|--|
| Body | Marine-grade, die-cast aluminium alloy |
| Lens | Safety glass lens |
| Colours | <div style="display: flex; align-items: center;"> <div style="width: 20px; height: 15px; background-color: black; margin-right: 5px;"></div> RAL9004 Signal black </div> <div style="display: flex; align-items: center; margin-top: 5px;"> <div style="width: 20px; height: 15px; background-color: #cccccc; margin-right: 5px;"></div> RAL9006 White aluminium </div> <div style="display: flex; align-items: center; margin-top: 5px;"> <div style="width: 20px; height: 15px; background-color: #808080; margin-right: 5px;"></div> RAL9007 Grey aluminium </div> |
| Gasket | Silicone CCG® Controlled Compression Gasket |
| Fasteners | PCS Polymer Coated Stainless Steel Hardware |
| Ingress protection | IP66 |
| Impact resistance | IK07 |
| Corrosion resistance | 5CE+Primer |
| Windage | 0.018 m ² |

Electrical description

| | |
|------------------|------|
| Driver / Ballast | DALI |
|------------------|------|

Additional information

WE-EF LIGHTING Pty Ltd

6/13 Downard Street, 3195 Braeside, Victoria - Phone: +61 3 8587 0444 - Fax: +61 3 8587 0499

info.australia@we-ef.com - <https://we-ef.com/aus>

Subject to technical changes and errors. - Generated on 23/10/2024

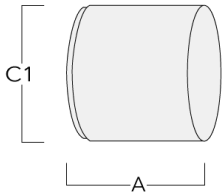
Optical Accessories

Glare shield

| Description | Part ID | A | C1 |
|---------------|----------|----|-----|
| ES-FLC210-LED | 139-2406 | 86 | 149 |

Snoot

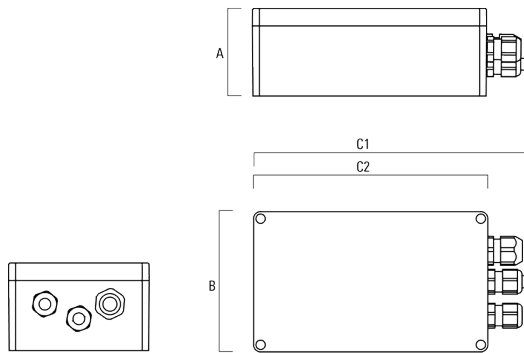
| Description | Part ID | A | C1 |
|---------------|----------|----|-----|
| ET-FLC210-LED | 139-2407 | 86 | 149 |



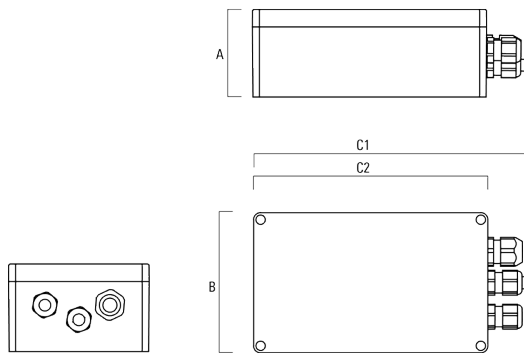
Electrical Accessories

Gear box

| Description | Part ID | A | B | C1 | C2 | Weight (kg) |
|----------------------------------|----------|----|-----|-----|-----|-------------|
| GB200 R200x120 gear box (medium) | 139-2526 | 75 | 120 | 229 | 200 | 1.05 |



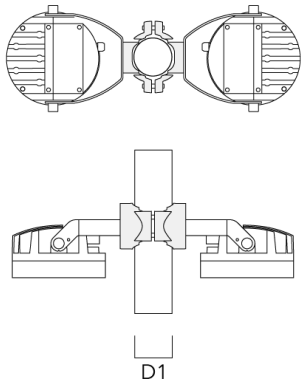
| | | | | | | |
|---------------------------------|----------|----|-----|-----|-----|------|
| GB200 R230x140 gear box (large) | 139-2527 | 95 | 140 | 259 | 230 | 1.20 |
|---------------------------------|----------|----|-----|-----|-----|------|



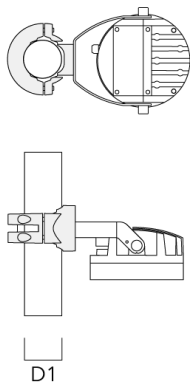
Mounting Accessories

Pole clamp PC - Rotatable

| Description | Part ID | D1 | Weight (kg) |
|---|----------|-------|-------------|
| PC2 76-89/60 Pole clamp, double (Ø 76-89) | 139-2703 | 76-89 | 1.00 |



| | | | |
|---|----------|-------|------|
| PC1 76-89/60 Pole clamp, single (Ø 76-89) | 139-2702 | 76-89 | 1.00 |
|---|----------|-------|------|

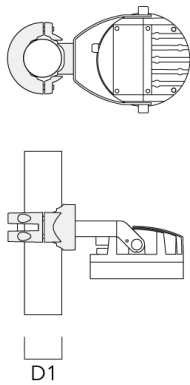


FLC210-TW LED

| Description | Part ID | D1 | Weight (kg) |
|--|----------|---------|-------------|
| PC2 102-114/60 Pole clamp, double (Ø 102-114) | 139-2707 | 102-114 | 1.20 |

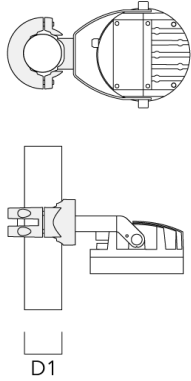


| | | | |
|--|----------|---------|------|
| PC1 102-114/60 Pole clamp, single (Ø 102-114) | 139-2706 | 102-114 | 1.20 |
|--|----------|---------|------|

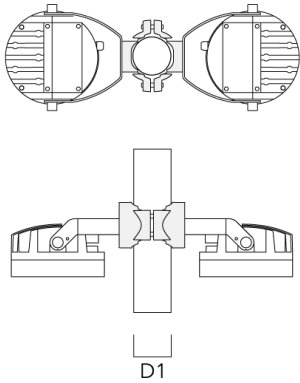


FLC210-TW LED

| Description | Part ID | D1 | Weight (kg) |
|--|----------|---------|-------------|
| PC1 114-133/60 Pole clamp, single (Ø 114-133) | 139-2708 | 114-133 | 1.40 |



| | | | |
|--|----------|--------|------|
| PC2 82-109/60 Pole camp, double (Ø 82-109) | 139-2705 | 82-109 | 1.10 |
|--|----------|--------|------|

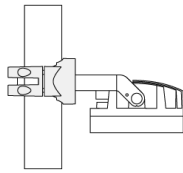
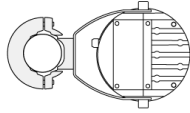


139-2418+0013

we-ef

FLC210-TW LED

| Description | Part ID | D1 | Weight (kg) |
|--|----------|--------|-------------|
| PC1 82-109/60 Pole camp, single (Ø 82-109) | 139-2704 | 82-109 | 1.10 |



D1

WE-EF LIGHTING Pty Ltd

6/13 Downard Street, 3195 Braeside, Victoria - Phone: +61 3 8587 0444 - Fax: +61 3 8587 0499

info.australia@we-ef.com - <https://we-ef.com/aus>

Subject to technical changes and errors. - Generated on 23/10/2024

139-2418+0013

FLC210-TW LED

WE-EF LIGHTING Pty Ltd

6/13 Downard Street, 3195 Braeside, Victoria

Phone: +61 3 8587 0444

Fax: +61 3 8587 0499

info.australia@we-ef.com

<https://we-ef.com/aus>

Subject to technical changes and errors.

Generated on 23/10/2024