

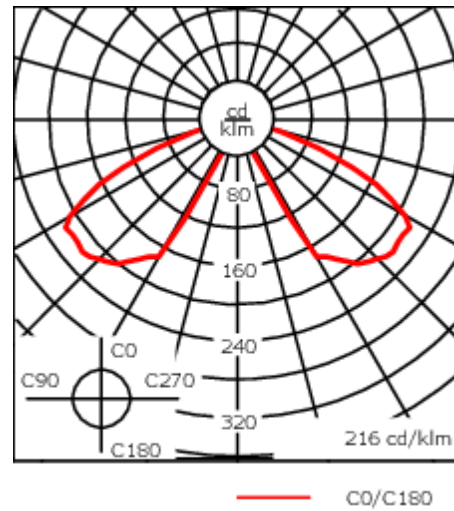
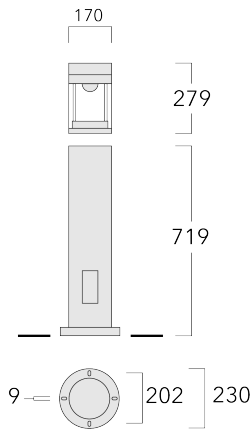


Description

IP66, Class I. Class II on request. IK10. Marine-grade, die-cast aluminium alloy. 5CE superior corrosion protection including PCS hardware. Silicone CCG® Controlled Compression Gasket. Polycarbonate main lens. Integral EC electronic converter in thermally-separated compartment. Factory installed LED circuit board. CAD-optimised optics for superior illumination and glare control. Pre-wired post complete with cable connecting box and service door for mains connection.

Optional Eco Step Dim® Motion version available. To be specified at time of ordering.

| | |
|---------------------------|---|
| Weight | 11.50 kg |
| Light distribution | controlled symmetric distribution [C55] |
| Light source | LED-FT-24W / 700 mA - 4000 K |
| CRI | 80 |
| Power supply | EC |
| LEDs | 1 |
| Rated input power | 27 W |
| Rated lumens (lm) | |
| LED Lumen | 3050 |
| Total Lumen | 3050 |
| Ta | 25 |
| Nominal Lumen (lm) | |
| LED Lumen | 4400 |
| Total Lumen | 4400 |
| Tc | 25 |



Specifications

Material description

| | |
|----------------------|--|
| Body | Marine-grade, die-cast aluminium alloy |
| Lens | Polycarbonate |
| Colours | <div style="display: flex; align-items: center;"> <div style="width: 20px; height: 10px; background-color: black; margin-right: 5px;"></div> RAL9004 Signal black </div> <div style="display: flex; align-items: center; margin-top: 5px;"> <div style="width: 20px; height: 10px; background-color: #cccccc; margin-right: 5px;"></div> RAL9006 White aluminium </div> <div style="display: flex; align-items: center; margin-top: 5px;"> <div style="width: 20px; height: 10px; background-color: #808080; margin-right: 5px;"></div> RAL9007 Grey aluminium </div> <div style="display: flex; align-items: center; margin-top: 5px;"> <div style="width: 20px; height: 10px; background-color: #444444; margin-right: 5px;"></div> RAL7016 Anthracite grey </div> <div style="display: flex; align-items: center; margin-top: 5px;"> <div style="width: 20px; height: 10px; background-color: #e0e0e0; margin-right: 5px;"></div> RAL9016 Traffic white </div> |
| Gasket | Silicone CCG® Controlled Compression Gasket |
| Fasteners | PCS Polymer Coated Stainless Steel Hardware |
| Ingress protection | IP66 |
| Impact resistance | IK10 |
| Corrosion resistance | 5CE |

Electrical description

| | |
|------------------|---|
| Power supply | 220-240V / 50-60 Hz |
| Driver / Ballast | Standard. Optional DALI version available. To be specified at time of ordering. |
| Power factor | > 0.9 |
| Surge protection | 10/10kV (SP10) |

115-1916

CTY150 LED-FT

we-ef

Additional information

Lifetime Ta=25° L70B50 > 50000h

Energy efficiency class D-E (Light source)

Mounting Accessories

Planted root

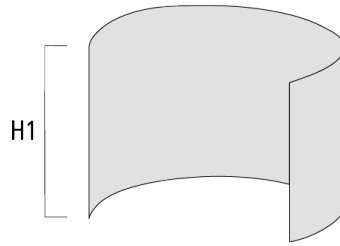
| Description | Part ID | D1 | D2 | D3 | D4 | H1 | H2 | M1 | M2 | Weight (kg) |
|-------------------|----------|-----|-----|-----|-----|-----|-----|----|----|-------------|
| Planted root ESV4 | 300-0464 | 220 | 190 | 102 | 108 | 400 | 350 | 8 | 6 | 4.30 |



Optical Accessories

Light shield

| Description | Part ID | Additional information | H1 |
|-------------|----------|------------------------|-----|
| LS180-[C60] | 159-0321 | | 120 |



| | | |
|-------|----------|--|
| LS180 | 430-0029 | Glare Shield for backlight spill. Glare Shield factory-installed or available as retrofit kit. Suitable for [S60], [S65], [S70], [R65], [P65] lenses. Must be specified at time of ordering. |
|-------|----------|--|

Control

Eco Step Dim® Motion

| Description | Part ID |
|---------------------------------------|----------|
| Eco Step Dim® Motion - Linked-Primary | 430-0030 |



| | |
|---|----------|
| Eco Step Dim® Motion - Linked-Secondary | 430-0031 |
|---|----------|



115-1916

CTY150 LED-FT

we-ef

| Description | Part ID |
|------------------------------------|----------|
| Eco Step Dim® Motion - Stand-Alone | 430-0037 |

