



Description

IP66, Class I. IK10. Marine-grade, die-cast aluminium alloy. 5CE superior corrosion protection including PCS hardware. Silicone CCG® Controlled Compression Gasket. Polycarbonate main lens. Integral EC electronic converter in thermally-separated compartment. Factory installed LED circuit board. CAD-optimised optics for superior illumination and glare control. Pre-wired post complete with cable connecting box and service door for mains connection.

Optional 2200 K version available. To be specified at time of ordering.

Optional Eco Step Dim® Motion version available. To be specified at time of ordering.

| | |
|--------------------|------------------------------|
| Weight | 25.40 lb |
| Light distribution | asymmetric, side throw [S65] |
| Light source | LED-9/9W / 350 mA - 4000 K |
| Power supply | electronic gear |
| LEDs | 9 |
| Rated input power | 11 W |

Nominal Lumen (lm)

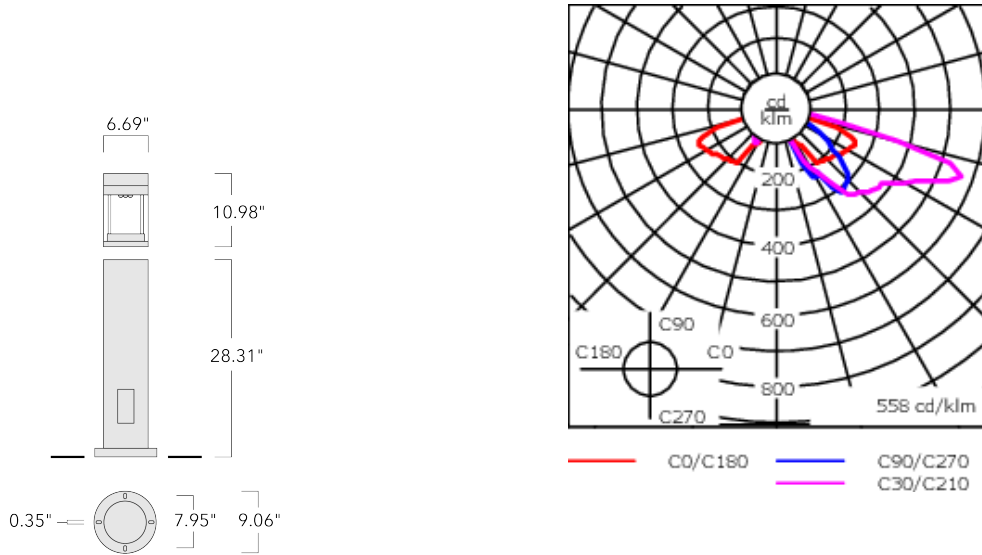
| | |
|-------------|------|
| LED Lumen | 170 |
| Total Lumen | 1530 |
| Tj | 85 |

Rated lumens (lm)

| | |
|-------------|--------|
| LED Lumen | 126.9 |
| Total Lumen | 1142.1 |
| Ta | 25 |

WE-EF LIGHTING USA, LLC

410-D Keystone Drive, 15086 Warrendale, PA 15086 - Phone: +1 724 742 0030
 customersupport.usa@we-ef.com - <https://we-ef.com/us>
 Subject to technical changes and errors. - Generated on 11/23/2024



Specifications

Material description

| | |
|----------------------|---|
| Body | Marine-grade, all-aluminium construction |
| Lens | Polycarbonate |
| Colors | <div style="display: flex; flex-direction: column; gap: 5px;"> <div> RAL9004 Black</div> <div> RAL9007 Grey Metallic</div> <div> RAL9016 White</div> <div> RAL8019 Dark Bronze</div> </div> |
| Gasket | Silicone CCG® Controlled Compression Gasket |
| Fasteners | PCS Polymer Coated Stainless Steel Hardware |
| Ingress protection | IP66 |
| Impact resistance | IK10 |
| Corrosion resistance | 5CE |

Electrical description

| | |
|------------------|----------------------------------|
| Driver / Ballast | Integral EC electronic converter |
| Power factor | > 0.9 |

Additional information

| | |
|----------|----------------------------|
| Lifetime | Ta=25°/40° L90B10 > 90000h |
|----------|----------------------------|

WE-EF LIGHTING USA, LLC

410-D Keystone Drive, 15086 Warrendale, PA 15086 - Phone: +1 724 742 0030
 customersupport.usa@we-ef.com - <https://we-ef.com/us>
 Subject to technical changes and errors. - Generated on 11/23/2024

Mounting Accessories

Planted root

| Description | Part ID | D1 | D2 | D3 | D4 | H1 | H2 | M1 | M2 | Weight (lb) |
|-------------------|----------|------|------|------|------|-------|-------|-----|-----|-------------|
| Planted root ESV4 | 300-0464 | 8.66 | 7.48 | 4.25 | 4.02 | 15.75 | 13.78 | .35 | .24 | 9.48 |

