

115-1882

ZAT430-FT LED

**we-ef**



#### Description

IP66, Class I. IK09. Marine-grade, die-cast aluminium alloy. 5CE superior corrosion protection including PCS hardware. PMMA main lens. Silicone CCG® Controlled Compression Gasket. Luminaire is factory-sealed and does not need to be opened during installation.

Integral electronic converter with DALI interface in thermally separated compartment. CAD-optimised indirect optics for superior illumination and glare control. Factory installed LED circuit board.

Including 0.5 m cable with a cable connector.

|                    |                              |
|--------------------|------------------------------|
| Weight             | 7.70 kg                      |
| Light distribution | rectangular [R50]            |
| Light source       | LED-FT-24W / 700 mA - 3000 K |
| CRI                | 80                           |
| Power supply       | EC                           |
| LEDs               | 1                            |
| Rated input power  | 27 W                         |

#### Rated lumens (lm)

|             |        |
|-------------|--------|
| LED Lumen   | 3226.6 |
| Total Lumen | 3226.6 |
| Ta          | 25     |

#### Nominal Lumen (lm)

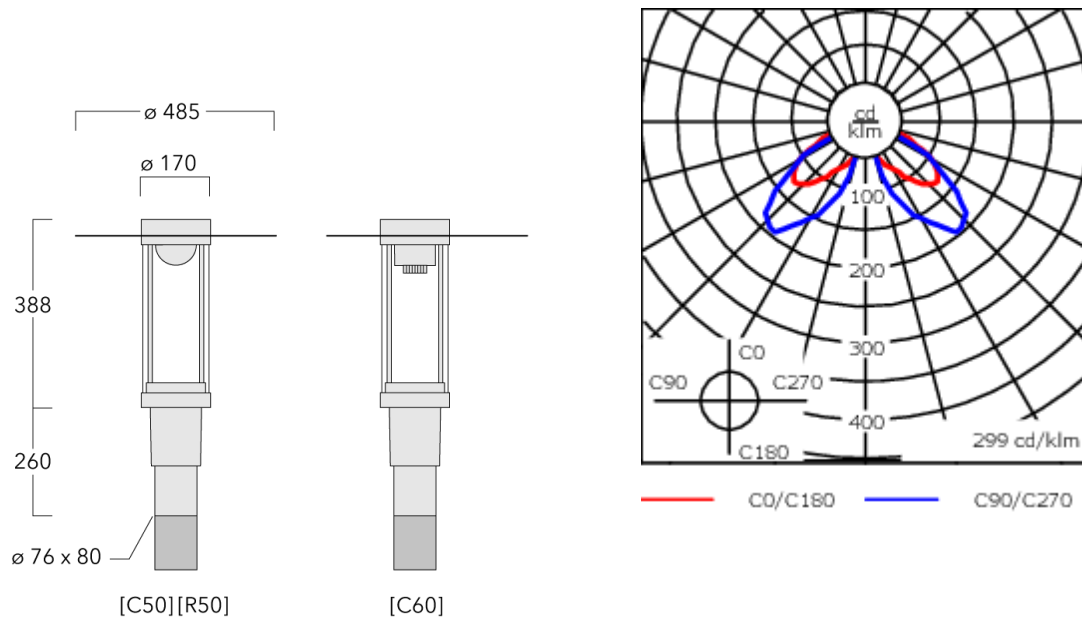
|             |      |
|-------------|------|
| LED Lumen   | 4220 |
| Total Lumen | 4220 |
| Tc          | 25   |

**WE-EF LIGHTING (Thailand) Co., Ltd.**

57 Moo 5, Kingkaew Rd., Bangplee, 10540 Samutprakarn - Phone: +66 2 738 96 20 - Fax: +66 2 738 96 29

<https://we-ef.com/asia>

Subject to technical changes and errors. - Generated on 27/11/2024



## Specifications

### Material description

|                      |  |
|----------------------|--|
| Body                 | Marine-grade, die-cast aluminium alloy   |
| Lens                 | PMMA   |
| Colours              | <div style="display: flex; align-items: center;"> <div style="width: 20px; height: 15px; background-color: black; margin-right: 5px;"></div> <span>RAL9004 Signal black</span> </div> <div style="display: flex; align-items: center; margin-top: 5px;"> <div style="width: 20px; height: 15px; background-color: grey; margin-right: 5px;"></div> <span>RAL9007 Grey aluminium</span> </div> <div style="display: flex; align-items: center; margin-top: 5px;"> <div style="width: 20px; height: 15px; background-color: darkgrey; margin-right: 5px;"></div> <span>RAL7016 Anthracite grey</span> </div> <div style="display: flex; align-items: center; margin-top: 5px;"> <div style="width: 20px; height: 15px; background-color: white; margin-right: 5px;"></div> <span>RAL9016 Traffic white</span> </div> |
| Gasket               | Silicone CCG® Controlled Compression Gasket  |
| Fasteners            | PCS Polymer Coated Stainless Steel Hardware  |
| Ingress protection   | IP66   |
| Impact resistance    | IK09   |
| Corrosion resistance | 5CE  |
| Windage              | 0.130 m <sup>2</sup>   |

### Electrical description

|                  |  |
|------------------|--|
| Driver / Ballast | Integral electronic converter with DALI interface in thermally separated compartment |
| Power factor     | > 0.9  |

### Additional information

|            |  |
|------------|--|
| Lifetime   | Ta=25° L70B50 > 50000h   |
| BUG Rating | Please see individual Spec Sheets for classification of Backlight, Uplight and Glare |

#### WE-EF LIGHTING (Thailand) Co., Ltd.

57 Moo 5, Kingkaew Rd., Bangplee, 10540 Samutprakarn - Phone: +66 2 738 96 20 - Fax: +66 2 738 96 29

<https://we-ef.com/asia>

Subject to technical changes and errors. - Generated on 27/11/2024

115-1882

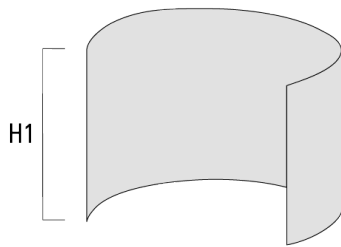
ZAT430-FT LED

**we-ef**

## Optical Accessories

### Light shield

| Description           | Part ID  | H1  |
|-----------------------|----------|-----|
| Cut-off shield IL-180 | 159-0321 | 120 |



**Mounting Accessories**

**Wall and pole brackets RZ**

| Description                  | Part ID  | C1  | D1  | D2  | D × L1  | M1 | Weight (kg) |
|------------------------------|----------|-----|-----|-----|---------|----|-------------|
| Wall bracket RZO-400, single | 115-1324 | 277 | 231 | 195 | 76 x 80 | 12 | 3.50        |



|                              |          |     |  |  |          |  |      |
|------------------------------|----------|-----|--|--|----------|--|------|
| Pole bracket RZ2-400, double | 115-1323 | 258 |  |  | 76 x 100 |  | 4.90 |
|------------------------------|----------|-----|--|--|----------|--|------|

