

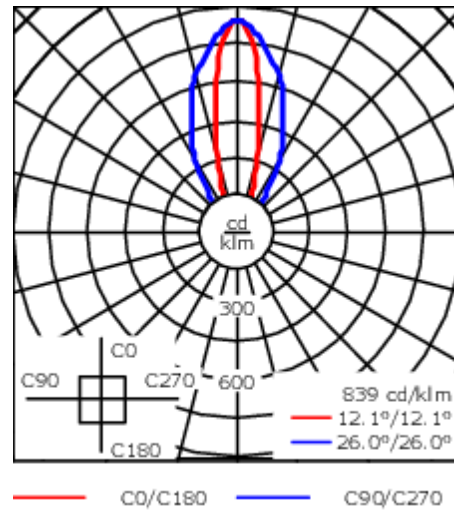
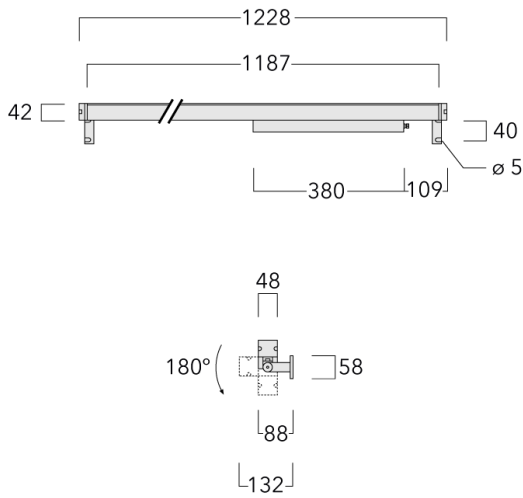


### Description

IP66/IP67. IK09. Marine-grade, all-aluminium construction. 5CE superior corrosion protection including PCS hardware. PMMA lens. Silicone rubber gaskets. 1.2m of flexible PVC-free cable. Luminaire is factory-sealed and does not need to be opened during installation.

Integral EC electronic converter in thermally-separated compartment. Advanced thermal management protects LEDs while optimising lumens output. Removable LED boards for upgrading. DALI interface.

|                           |                                       |
|---------------------------|---------------------------------------|
| Weight                    | 4.00 kg                               |
| Light distribution        | symmetric linear, medium beam [LM/IW] |
| Light source              | LED-64/40W / 225 mA - 3000 K          |
| CRI                       | 80                                    |
| Power supply              | EC                                    |
| LEDs                      | 64                                    |
| Rated input power         | 44 W                                  |
| <b>Nominal Lumen (lm)</b> |                                       |
| LED Lumen                 | 90                                    |
| Total Lumen               | 5760                                  |
| T <sub>j</sub>            | 85                                    |
| <b>Rated lumens (lm)</b>  |                                       |
| LED Lumen                 | 33.4                                  |
| Total Lumen               | 2137.6                                |
| T <sub>a</sub>            | 25                                    |



## Specifications

### Material description

|                      |   |
|----------------------|---|
| Body                 | Marine-grade, all-aluminium construction  |
| Lens                 | PMMA lens   |
| Colours              | <div style="display: flex; align-items: center;"> <div style="width: 20px; height: 15px; background-color: black; margin-right: 5px;"></div> <div style="margin-right: 10px;">RAL9004 Signal black</div> </div> <div style="display: flex; align-items: center;"> <div style="width: 20px; height: 15px; background-color: grey; margin-right: 5px;"></div> <div style="margin-right: 10px;">RAL9007 Grey aluminium</div> </div> <div style="display: flex; align-items: center;"> <div style="width: 20px; height: 15px; background-color: darkgrey; margin-right: 5px;"></div> <div style="margin-right: 10px;">RAL7016 Anthracite grey</div> </div> <div style="display: flex; align-items: center;"> <div style="width: 20px; height: 15px; background-color: white; margin-right: 5px;"></div> <div style="margin-right: 10px;">RAL9016 Traffic white</div> </div> |
| Gasket               | Silicone rubber gaskets   |
| Fasteners            | PCS hardware  |
| Ingress protection   | IP66/IP67   |
| Impact resistance    | IK09  |
| Corrosion resistance | 5CE   |

### Electrical description

|                  |   |
|------------------|---|
| Power supply     | 220-240V / 50-60 Hz   |
| Driver / Ballast | Integral electronic DALI converter in thermally-separated compartment |

### Additional information

|          |                                     |
|----------|-------------------------------------|
| Lifetime | T <sub>a</sub> =25° L90B10 > 90000h |
|----------|-------------------------------------|