

VLR150

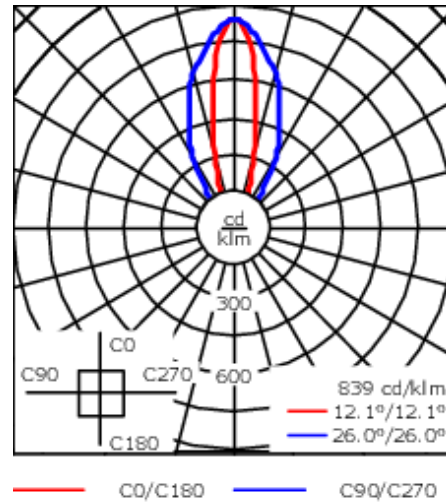
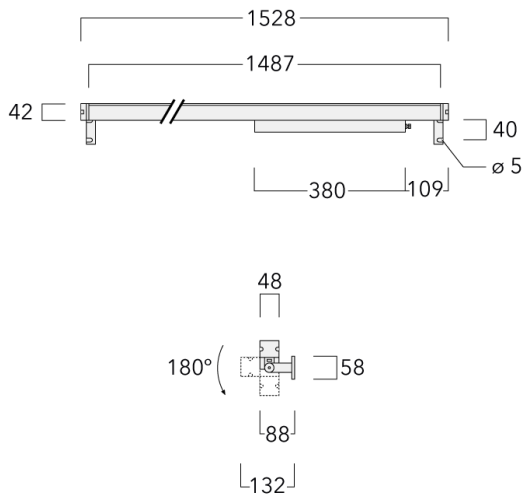
**Description**

IP66/IP67. IK09. Marine-grade, all-aluminium construction. 5CE superior corrosion protection including PCS hardware. PMMA lens. Silicone rubber gaskets. 1.2 m of flexible PVC-free cable. Luminaire is factory-sealed and does not need to be opened during installation.

Integral EC electronic converter in thermally-separated compartment. Advanced thermal management protects LEDs while optimising lumens output. Removable LED boards for upgrading. DALI interface.

| | |
|---------------------------|---------------------------------------|
| Weight | 4.75 kg |
| Light distribution | symmetric linear, medium beam [LM/IW] |
| Light source | LED-80/50W / 225 mA - 2700 K |
| CRI | 80 |
| Power supply | EC |
| LEDs | 80 |
| Rated input power | 55 W |
| Nominal Lumen (lm) | |
| LED Lumen | 90 |
| Total Lumen | 7200 |
| T _j | 85 |
| Rated lumens (lm) | |
| LED Lumen | 33.4 |
| Total Lumen | 2672 |
| T _a | 25 |

VLR150



Specifications

Material description

| | |
|----------------------|--|
| Body | Marine-grade, all-aluminium construction |
| Lens | PMMA lens |
| Colours | <div style="display: flex; align-items: center;"> <div style="width: 20px; height: 10px; background-color: black; margin-right: 5px;"></div> RAL9004 Signal black </div> <div style="display: flex; align-items: center; margin-top: 5px;"> <div style="width: 20px; height: 10px; background-color: grey; margin-right: 5px;"></div> RAL9007 Grey aluminium </div> <div style="display: flex; align-items: center; margin-top: 5px;"> <div style="width: 20px; height: 10px; background-color: darkgrey; margin-right: 5px;"></div> RAL7016 Anthracite grey </div> <div style="display: flex; align-items: center; margin-top: 5px;"> <div style="width: 20px; height: 10px; background-color: white; margin-right: 5px;"></div> RAL9016 Traffic white </div> |
| Gasket | Silicone rubber gaskets |
| Fasteners | PCS hardware |
| Ingress protection | IP66/IP67 |
| Impact resistance | IK09 |
| Corrosion resistance | 5CE |

Electrical description

| | |
|------------------|---|
| Power supply | 220-240V / 50-60 Hz |
| Driver / Ballast | Integral electronic DALI converter in thermally-separated compartment |

Additional information

| | |
|----------|------------------------|
| Lifetime | Ta=25° L90B10 > 90000h |
|----------|------------------------|