

134-2259

**we-ef**

**DAC140 TW LED TUNABLE WHITE**



**Description**

IP66, Class I. IK07. Marine-grade, die-cast aluminum alloy. 5CE superior corrosion protection including PCS hardware. Silicone CCG® Controlled Compression Gasket. Safety glass lens. Two cable entries. Integral driver in thermally separated compartment. CAD-optimized optics for superior illumination and glare control. OLC® One LED Concept. Factory installed LED circuit board. Tunable White technology. DMX interface.

Optional 2200 K version available, to be specified at time of ordering.

Specify product with 7 Digit product code - Finish Color. Accessories, such as mounting, optical, and electrical, must be specified separately.

Example: XXX-XXXX - 9004 (Black)  
+ XXX-XXXX (Accessory 1)

Weight	5.50 lb
Light distribution	symmetric, medium beam [M]
Light source	LED-24/42W / 325 mA - 2700-6000K
CRI	80
Power supply	electronic gear
LEDs	24
Rated input power	51 W

<b>Nominal Lumen (lm)</b>	
LED Lumen	230
Total Lumen	5520
Tj	85

<b>Rated lumens (lm)</b>	
LED Lumen	176.6
Total Lumen	4237.4
Ta	25

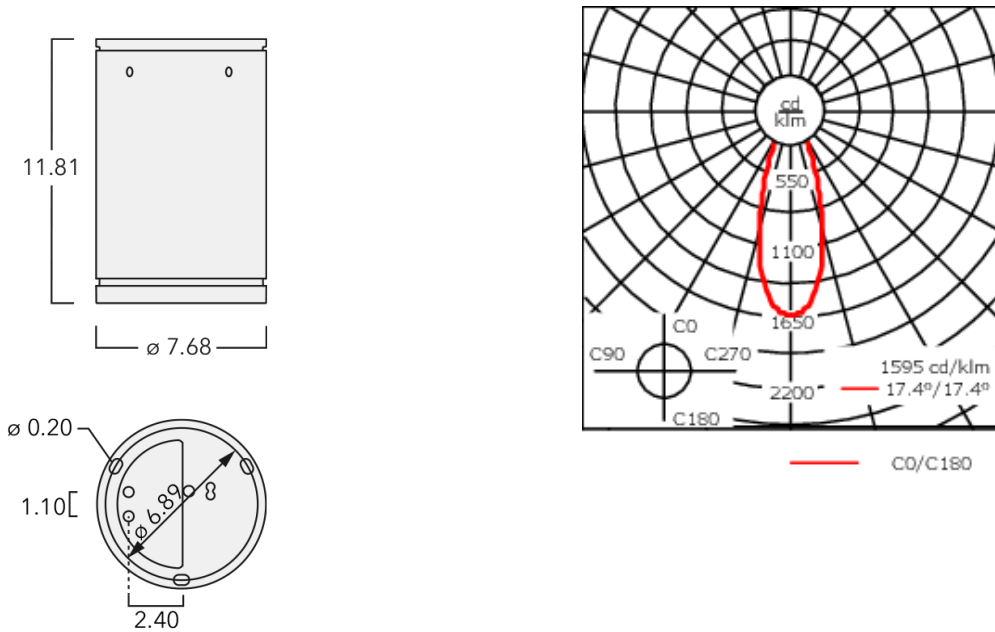
**WE-EF LIGHTING USA, LLC**

410-D Keystone Drive, 15086 Warrendale, PA 15086 - Phone: +1 724 742 0030  
customersupport.usa@we-ef.com - <https://we-ef.com/us>  
Subject to technical changes and errors. - Generated on 11/23/2024

134-2259

**we-ef**

**DAC140 TW LED TUNABLE WHITE**



**Specifications**

**Material description**

Body	Marine-grade, all aluminium construction
Lens	Safety glass lens
Colors	<div style="display: flex; flex-direction: column; gap: 5px;"> <div style="display: flex; align-items: center;"> <div style="width: 20px; height: 10px; background-color: black; margin-right: 5px;"></div> <span>RAL9004 Black</span> </div> <div style="display: flex; align-items: center;"> <div style="width: 20px; height: 10px; background-color: grey; margin-right: 5px;"></div> <span>RAL9007 Grey Metallic</span> </div> <div style="display: flex; align-items: center;"> <div style="width: 20px; height: 10px; background-color: white; margin-right: 5px;"></div> <span>RAL9016 White</span> </div> <div style="display: flex; align-items: center;"> <div style="width: 20px; height: 10px; background-color: darkgrey; margin-right: 5px;"></div> <span>RAL8019 Dark Bronze</span> </div> </div>
Gasket	Silicone CCG® Controlled Compression Gasket
Fasteners	PCS Polymer Coated Stainless Steel Hardware
Ingress protection	IP66
Impact resistance	IK07
Corrosion resistance	5CE

**Electrical description**

Driver / Ballast	DMX
------------------	-----

**Additional information**

Lifetime	Ta=25°/40° L90B10 > 90000h
Listings	Contact WE-EF USA for ETL/UL certification status.

**WE-EF LIGHTING USA, LLC**

410-D Keystone Drive, 15086 Warrendale, PA 15086 - Phone: +1 724 742 0030

customersupport.usa@we-ef.com - <https://we-ef.com/us>

Subject to technical changes and errors. - Generated on 11/23/2024

134-2259

**we-ef**

DAC140 TW LED TUNABLE WHITE

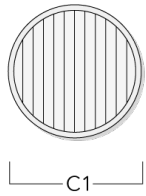
## Optical Accessories

### Linear spread lens

---

Description	Part ID
IO-180-DAC140-LED	134-2064

---



---

#### WE-EF LIGHTING USA, LLC

410-D Keystone Drive, 15086 Warrendale, PA 15086 - Phone: +1 724 742 0030  
customersupport.usa@we-ef.com - <https://we-ef.com/us>  
Subject to technical changes and errors. - Generated on 11/23/2024

134-2259

**we-ef**

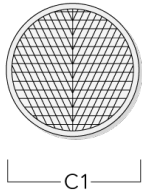
**DAC140 TW LED TUNABLE WHITE**

**Wallwash lens**

---

Description	Part ID
IO-20-WW-DAC140-LED	134-2065

---



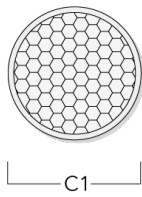
---

**Honeycomb louvre**

---

Description	Part ID
IW-DA_140-LED	134-2066

---



---

**WE-EF LIGHTING USA, LLC**

410-D Keystone Drive, 15086 Warrendale, PA 15086 - Phone: +1 724 742 0030  
customersupport.usa@we-ef.com - <https://we-ef.com/us>  
Subject to technical changes and errors. - Generated on 11/23/2024

134-2259

**we-ef**

DAC140 TW LED TUNABLE WHITE

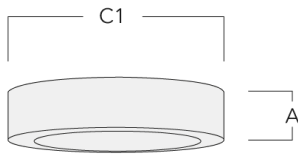
## Mounting Accessories

### Adaptor for side conduit entry

---

Description	Part ID	A	C1
DA14 Adaptor for DAC140/DAS140-PM	134-2109	1.20	7.70

---



---

#### WE-EF LIGHTING USA, LLC

410-D Keystone Drive, 15086 Warrendale, PA 15086 - Phone: +1 724 742 0030  
customersupport.usa@we-ef.com - <https://we-ef.com/us>  
Subject to technical changes and errors. - Generated on 11/23/2024