

115-1519

LTM440 LED-FT

**we-ef**



**Description**

IP66. Class I. IK10. Marine-grade, die-cast aluminum alloy. 5CE superior corrosion protection including PCS hardware. Silicone CCG® Controlled Compression Gasket. Polycarbonate outer lens. Service door with fused cable connecting box. CAD-optimized indirect optics for superior illumination and glare control. 0-10V Dimming comes standard with luminaire.

Specify product with 7 Digit product code - Finish Color. Accessories, such as mounting, optical, and electrical, must be specified separately.

Example: XXX-XXXX-9004 (Black)  
+ XXX-XXXX (Accessory 1)

Weight	55.10 lb
Light distribution	symmetric distribution [C60]
Light source	LED-FT-24W (3000K)
CRI	80
Power supply	electronic gear
BUG	B1 U3 G1
LEDs	1
Rated input power	27 W
<b>Rated lumens (lm)</b>	
LED Lumen	2847
Total Lumen	2847
Ta	25
<b>Nominal Lumen (lm)</b>	
LED Lumen	4220
Total Lumen	4220
Tc	25

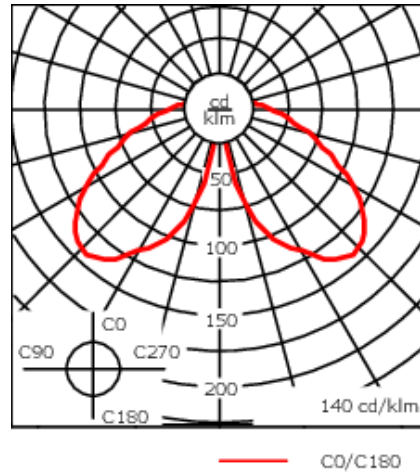
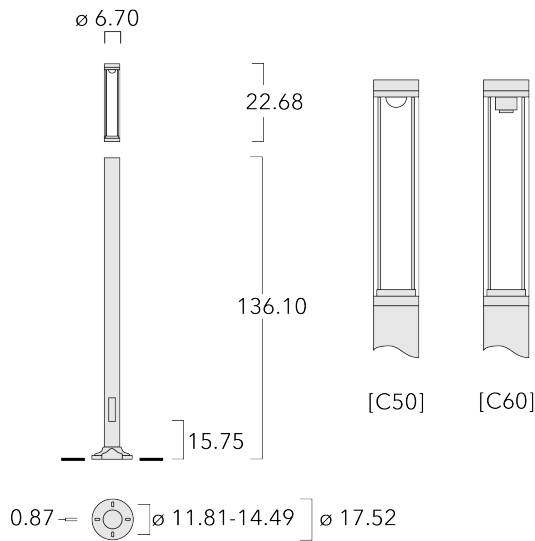
**WE-EF LIGHTING USA, LLC**

410-D Keystone Drive, 15086 Warrendale, PA 15086 - Phone: +1 724 742 0030  
customersupport.usa@we-ef.com - <https://we-ef.com/us>  
Subject to technical changes and errors. - Generated on 11/23/2024

115-1519

**we-ef**

LTM440 LED-FT



## Specifications

### Material description

Body	Luminaire head, base plate and base plate cover constructed in die cast aluminum
Lens	Clear polycarbonate lens.
Colors	<div style="display: flex; flex-direction: column; gap: 5px;"> <div><span style="display: inline-block; width: 15px; height: 10px; background-color: black; margin-right: 5px;"></span> RAL9004 Black</div> <div><span style="display: inline-block; width: 15px; height: 10px; background-color: grey; margin-right: 5px;"></span> RAL9007 Grey Metallic</div> <div><span style="display: inline-block; width: 15px; height: 10px; background-color: white; margin-right: 5px;"></span> RAL9016 White</div> <div><span style="display: inline-block; width: 15px; height: 10px; background-color: darkgrey; margin-right: 5px;"></span> RAL8019 Dark Bronze</div> </div>
Gasket	Silicone rubber gasket
Fasteners	PCS Polymer Coated Stainless Steel hardware
Ingress protection	IP66
Impact resistance	IK10
Corrosion resistance	5CE

### Electrical description

Power supply	Integral [ECG] LED driver in 120-277V
Driver / Ballast	Integral EC electronic converter

#### WE-EF LIGHTING USA, LLC

410-D Keystone Drive, 15086 Warrendale, PA 15086 - Phone: +1 724 742 0030

customersupport.usa@we-ef.com - <https://we-ef.com/us>

Subject to technical changes and errors. - Generated on 11/23/2024

**115-1519**

**LTM440 LED-FT**

**we-ef**

**Additional information**

---

Lifetime	Ta=25°/40° L70B50 > 50000h
BUG Rating	Please see individual Spec Sheets for classification of Backlight, Uplight and Glare.
Listings	ETL listed. Suitable for wet locations.

---

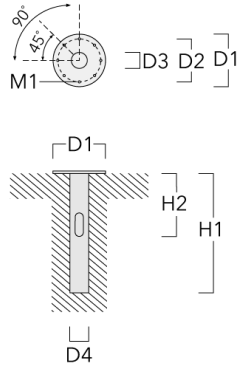
**WE-EF LIGHTING USA, LLC**

410-D Keystone Drive, 15086 Warrendale, PA 15086 - Phone: +1 724 742 0030  
customersupport.usa@we-ef.com - <https://we-ef.com/us>  
Subject to technical changes and errors. - Generated on 11/23/2024

**Mounting Accessories**

**Planted root**

Description	Part ID	D1	D2	D3	D4	H1	H2	M1	Weight (lb)
Planted root ESV10	300-0949	16.34	13.39	4.96	5.24	39.37	19.69	0.71	55.78



**115-1519**

**LTM440 LED-FT**

**we-ef**

## **Optical Accessories**

### **Light shield**

Description	Part ID
LS180-[C60]	159-0321

**WE-EF LIGHTING USA, LLC**

410-D Keystone Drive, 15086 Warrendale, PA 15086 - Phone: +1 724 742 0030  
customersupport.usa@we-ef.com - <https://we-ef.com/us>

Subject to technical changes and errors. - Generated on 11/23/2024