



Description

Profile Projector [ZP] for zoom spot. Spherical and aspherical, double flat convex lens system.

IP66, Class III. IK07. Marine-grade, die-cast aluminium alloy. 5CE superior corrosion protection including PCS hardware. Silicone CCG® Controlled Compression Gasket. Safety glass lens. Electronic control gear in separate gear box (constant current), prewired. Gearbox to be ordered separately. One factory installed flange plug M8 x 1.5. Cable length 10 ft. CAD-optimised optics for superior illumination and glare control. Factory-installed LED circuit board.

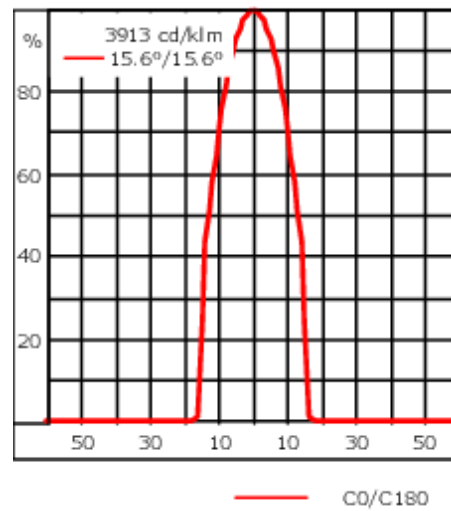
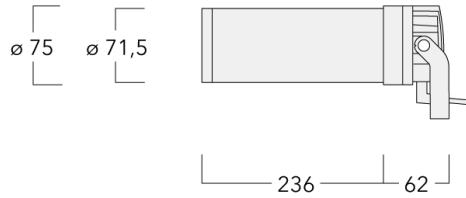
| | |
|--------------------|--|
| Weight | 0.85 kg |
| Light distribution | symmetric Zoom-Projector [ZP] - min aperture angle |
| Light source | LED-1/6W / 500 mA - 3000 K |
| CRI | 80 |
| Power supply | EC |
| LEDs | 1 |
| Rated input power | 7.5 W |

Rated lumens (lm)

| | |
|-------------|-------|
| LED Lumen | 394.6 |
| Total Lumen | 394.6 |
| Ta | 25 |

Nominal Lumen (lm)

| | |
|-------------|-----|
| LED Lumen | 670 |
| Total Lumen | 670 |
| Tc | 25 |



Specifications

Material description

| | |
|----------------------|---|
| Body | Marine-grade, die-cast aluminium alloy |
| Lens | Safety glass lens |
| Colours | <ul style="list-style-type: none"> RAL9004 Signal black RAL9006 White aluminium RAL9007 Grey aluminium RAL7016 Anthracite grey RAL9016 Traffic white |
| Gasket | Silicone CCG® Controlled Compression Gasket |
| Fasteners | PCS Polymer Coated Stainless Steel Hardware |
| Ingress protection | IP66 |
| Impact resistance | IK07 |
| Corrosion resistance | 5CE |
| Windage | 0.11 ft ² |

Electrical description

| | |
|------------------|---------------------|
| Power supply | 220-240V / 50-60 Hz |
| Driver / Ballast | DALI |
| Power factor | > 0.9 |

139-2747_min

FLC201 LED [ZP]

we-ef

Additional information

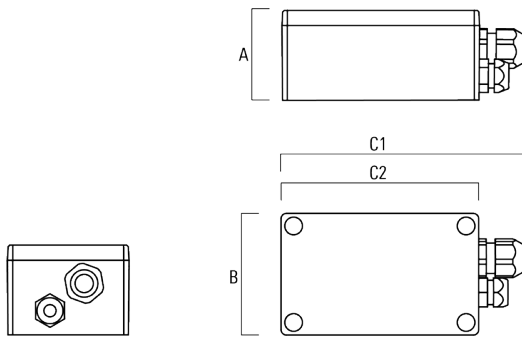
Lifetime Ta=25° L90B10 > 90000h

Energy efficiency class D-E (Light source)

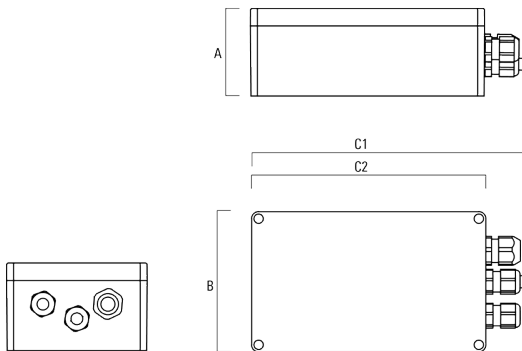
Electrical Accessories

Gear box

| Description | Part ID | A | B | C1 | C2 | Weight (kg) |
|--|----------|----|----|-----|-----|-------------|
| GB200 R130x80 gear box (small) DALI | 139-2555 | 50 | 80 | 159 | 130 | 0.30 |

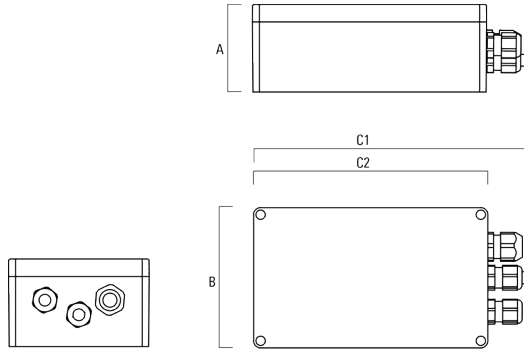


| | | | | | | |
|--|----------|----|-----|-----|-----|--|
| GB200 R200x120 gear box (medium) DALI | 139-2622 | 75 | 120 | 229 | 200 | |
|--|----------|----|-----|-----|-----|--|



FLC201 LED [ZP]

| Description | Part ID | A | B | C1 | C2 | Weight (kg) |
|--|----------|----|-----|-----|-----|-------------|
| GB200 R230x140 gear box (large) SP10 DALI | 139-2621 | 95 | 140 | 259 | 230 | |



Mounting Accessories

Junction box

| Description | Part ID | A | B | C1 | C2 |
|------------------------|----------|----|----|-----|----|
| JB200 R82 Junction box | 139-2590 | 55 | 82 | 140 | 80 |

