

**ETC330-FS LED**



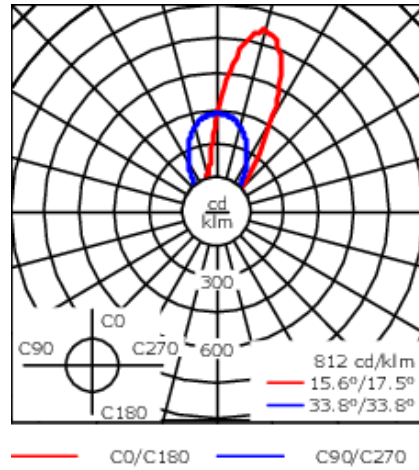
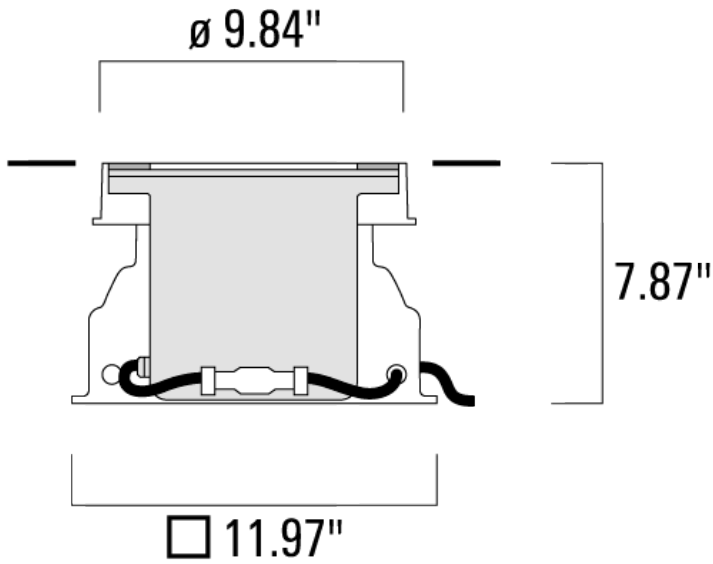
**Description**

IP69K. Class I. IK10+. Stainless steel construction. PCS hardware. ASC Anti Slip ceramic Coating on request. Silicone CCG® Controlled Compression Gasket. Safety glass lens; max load 5.5 tons (11,000 lbs). Luminaire can be driven over at low speed. Factory-sealed termination chamber complete with cable gland and 3 ft of flexible PVC-free, gel-impregnated anti-wicking cable. CAD-optimized optics for superior illumination and glare control. Integral driver. Advanced thermal management protects LEDs while optimizing lumens output. LED module can be easily removed for upgrading.


The concrete-pour installation blockout is supplied as standard with luminaire.

Weight	22.00 lb
Light distribution	wallwash
Light source	LED-12/24W / 700 mA - 2700 K
CRI	80
Power supply	electronic gear
LEDs	12
Rated input power	28 W
<b>Nominal Lumen (lm)</b>	
LED Lumen	233
Total Lumen	2796
Tj	85
<b>Delivered lumens (lm)</b>	
LED Lumen	162.9
Total Lumen	1954.4
Ta	25

**ETC330-FS LED**



**ETC330-FS LED****Specifications****Material description**

Body	Luminaire body constructed of deep drawn stainless steel. Outer housing composite material.
Lens	Safety glass lens, max. load 5 tonnes
Colors	 Stainless Steel
Fasteners	PCS polymer coated stainless steel
Ingress protection	IP69K - HIGHEST PROTECTION RATING AVAILABLE
Impact resistance	IK10+
Corrosion resistance	5CE

**Electrical description**

Power supply	Integral [ECG] electronic driver 120V-277V. 0-10V dimmable, to be specified with order.
Driver / Ballast	Integral [ECG] electronic driver 120V-277V. 0-10V dimmable, to be specified with order.
Termination	Factory sealed termination chamber

**Additional information**

Lifetime	LED >60,000 h Ta 25°C (L70/B10) Control gear >50,000 h Ta 25°C
Dimming	0-10V available in request. Must be factory fitted.
Listings	ETL, UL-1598, CSA-C22.2#250.0. Suitable for Wet Locations.

**ETC330-FS LED**

---

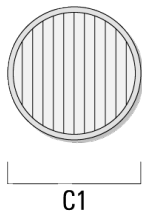
**Optical Accessories**

**Linear spread lens**

---

Description	Part ID	C1
Linear spread lens IO-180	185-7170	7.52

---

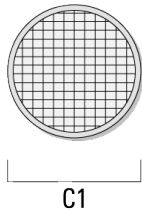


**ETC330-FS LED**

---

**Softening Lens**

Description	Part ID	C1
Flood lens IO-360	185-7171	6.30



---

**Linear louvre**

Description	Part ID	C1
Linear louvre IL	185-7172	7.52



**ETC330-FS LED**

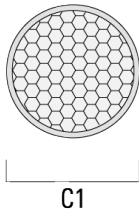
---

**Honeycomb louvre**

---

Description	Part ID	C1
Honeycomb Louvre IW	185-7180	7.53

---



---

**Wallwash lens**

---

Description	Part ID	C1
IO-20-WW-ETC/EVC_30-FS-LED	134-1492	7.52

---

