

145-7601

FLC311 Spigot mounted

**we-ef**



#### Description

IP66. IK08. Marine-grade, die-cast aluminium alloy. 5CE superior corrosion protection including PCS hardware. Safety glass lens. Silicone CCG® Controlled Compression Gasket. Luminaire is factory-sealed and does not need to be opened during installation.

Integral EC electronic converter. Advanced thermal management protects LEDs while optimising lumens output. CAD-optimised optics for superior illumination and glare control. Including 1.5 m of flexible PVC free cable.

Mains voltage versions, DALI interface Class I. 1-10 V analogue dimming available on request; refer to accessory listings.

DALI interface Class II available on request; refer to accessory listings.

24VDC low voltage versions, 0-10 V analogue dimming or DALI interface Class III available on request.

Remote 24VDC power supply to be ordered separately.

|                           |                            |
|---------------------------|----------------------------|
| Weight                    | 1.60 kg                    |
| Light distribution        | symmetric, wide beam [B]   |
| Light source              | LED-3/9W / 250 mA - 2700 K |
| CRI                       | 80                         |
| Power supply              | EC                         |
| LEDs                      | 3                          |
| Rated input power         | 11 W                       |
| <b>Nominal Lumen (lm)</b> |                            |
| LED Lumen                 | 365                        |
| Total Lumen               | 1095                       |
| Tj                        | 85                         |
| <b>Rated lumens (lm)</b>  |                            |
| LED Lumen                 | 278.6                      |
| Total Lumen               | 835.8                      |
| Ta                        | 25                         |

**WE-EF LIGHTING (Thailand) Co., Ltd.**

57 Moo 5, Kingkaew Rd., Bangplee, 10540 Samutprakarn - Phone: +66 2 738 96 20 - Fax: +66 2 738 96 29

<https://we-ef.com/asia>

Subject to technical changes and errors. - Generated on 19/04/2025

145-7601





FLC311 Spigot mounted

we-ef



## Specifications

### Material description

|                      |  |
|----------------------|--|
| Body                 | Marine-grade, die-cast aluminium alloy   |
| Lens                 | Safety glass lens  |
| Colours              |  RAL9004 Signal black<br> RAL9007 Grey aluminium<br> RAL7016 Anthracite grey<br> RAL9016 Traffic white |
| Gasket               | Silicone CCG® Controlled Compression Gasket  |
| Fasteners            | PCS hardware   |
| Ingress protection   | IP66   |
| Impact resistance    | IK08   |
| Corrosion resistance | 5CE  |
| Windage              | 0.020 m <sup>2</sup>   |

### Electrical description

|                  |                |
|------------------|----------------|
| Driver / Ballast | DALI interface |
| Power factor     | >0.9           |

### Additional information

|          |                        |
|----------|------------------------|
| Lifetime | Ta=25° L90B10 > 90000h |
|----------|------------------------|

WE-EF LIGHTING (Thailand) Co., Ltd.

57 Moo 5, Kingkaew Rd., Bangplee, 10540 Samutprakarn - Phone: +66 2 738 96 20 - Fax: +66 2 738 96 29

<https://we-ef.com/asia>

Subject to technical changes and errors. - Generated on 19/04/2025

**145-7601**

**FLC311 Spigot mounted**

**we-ef**

## **Control**

### **1-10 V analogue dimming interface**

| Description                       | Part ID  | C  |
|-----------------------------------|----------|----|
| 1-10 V analogue dimming interface | 430-0011 | 90 |

### **DALI interface**

| Description                | Part ID   |
|----------------------------|-----------|
| Low voltage DALI interface | 0026      |
| DALI Class II              | 0043+0013 |

### **0-10 V, 24VDC low voltage version**

| Description                       | Part ID |
|-----------------------------------|---------|
| 24VDC low voltage version, 0-10 V | 0033    |

**WE-EF LIGHTING (Thailand) Co., Ltd.**

57 Moo 5, Kingkaew Rd., Bangplee, 10540 Samutprakarn - Phone: +66 2 738 96 20 - Fax: +66 2 738 96 29

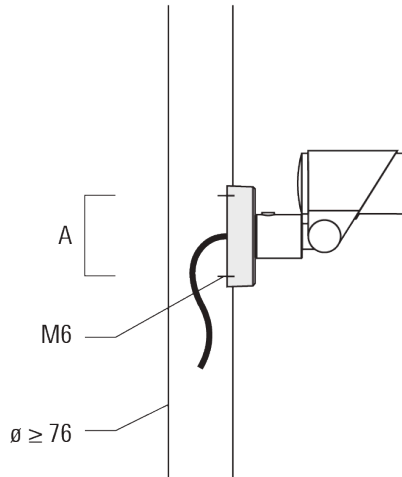
<https://we-ef.com/asia>

Subject to technical changes and errors. - Generated on 19/04/2025

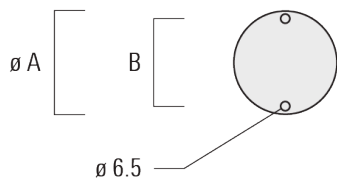
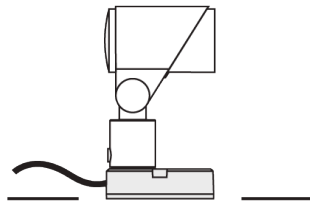
**Mounting Accessories**

**Flat surface and Column fitter**

| Description          | Part ID  | A  | B | Weight (kg) |
|----------------------|----------|----|---|-------------|
| Column fitter FLC300 | 145-9536 | 70 |   | 0.20        |



|                            |          |     |    |      |
|----------------------------|----------|-----|----|------|
| Flat surface fitter FLC300 | 145-9535 | 100 | 85 | 0.20 |
|----------------------------|----------|-----|----|------|



**FLC311 Spigot mounted**

**Ground spike**

| Description                 | Part ID  | A   | Weight (kg) |
|-----------------------------|----------|-----|-------------|
| Ground spike EF1 for FLC300 | 310-9102 | 270 | 1.20        |



**Junction box**

| Description                      | Part ID  | A   | B  | C1  | D1 | Weight (kg) |
|----------------------------------|----------|-----|----|-----|----|-------------|
| Junction box JB1 with side entry | 310-9002 | 107 | 67 | 135 | 67 | 1.20        |

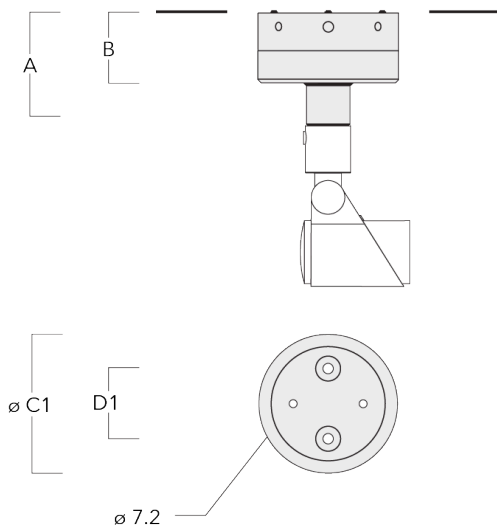


**FLC311 Spigot mounted**

| Description                      | Part ID  | A   | B  | C1  | D1 | Weight (kg) |
|----------------------------------|----------|-----|----|-----|----|-------------|
| Junction box JB1 with wall entry | 310-9025 | 107 | 67 | 135 | 67 | 1.10        |



|   |          |     |    |     |    |      |
|---|----------|-----|----|-----|----|------|
| Junction box JB1 with side entry<br>(conduit) | 310-9022 | 107 | 67 | 135 | 67 | 1.20 |
|---|----------|-----|----|-----|----|------|



145-7601

FLC311 Spigot mounted

**we-ef**

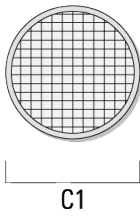
## Optical Accessories

### Flood lens

---

| Description                | Part ID  | C1 |
|----------------------------|----------|----|
| Flood lens IO-360 for [EE] | 145-7786 | 59 |

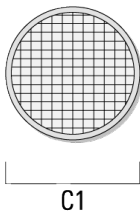
---



---

|                             |          |    |
|-----------------------------|----------|----|
| Flood lens IO-360 for [EES] | 145-7780 | 59 |
|-----------------------------|----------|----|

---



**WE-EF LIGHTING (Thailand) Co., Ltd.**

57 Moo 5, Kingkaew Rd., Bangplee, 10540 Samutprakarn - Phone: +66 2 738 96 20 - Fax: +66 2 738 96 29

<https://we-ef.com/asia>

Subject to technical changes and errors. - Generated on 19/04/2025

145-7601

FLC311 Spigot mounted

**we-ef**

**Linear spread lens**

---

| Description               | Part ID  | C1 |
|---------------------------|----------|----|
| Linear spread lens IO-180 | 145-7781 | 59 |

---



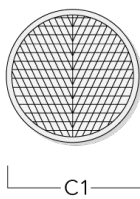
---

**Wallwash lens**

---

| Description         | Part ID  | C1 |
|---------------------|----------|----|
| Wallwash lens IO-20 | 145-7782 | 59 |

---



---

**WE-EF LIGHTING (Thailand) Co., Ltd.**

57 Moo 5, Kingkaew Rd., Bangplee, 10540 Samutprakarn - Phone: +66 2 738 96 20 - Fax: +66 2 738 96 29

<https://we-ef.com/asia>

Subject to technical changes and errors. - Generated on 19/04/2025



145-7601

**we-ef**

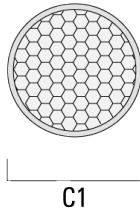
**FLC311 Spigot mounted**

**Honeycomb louvre**

---

| Description         | Part ID  | C1 |
|---------------------|----------|----|
| Honeycomb louvre IW | 145-7783 | 59 |

---



---

**Glare shield**

---

| Description     | Part ID  | A  | C1 |
|-----------------|----------|----|----|
| Glare shield ES | 145-7784 | 34 | 85 |

---



---

**WE-EF LIGHTING (Thailand) Co., Ltd.**

57 Moo 5, Kingkaew Rd., Bangplee, 10540 Samutprakarn - Phone: +66 2 738 96 20 - Fax: +66 2 738 96 29

<https://we-ef.com/asia>

Subject to technical changes and errors. - Generated on 19/04/2025

145-7601

**we-ef**

FLC311 Spigot mounted

**Snoot**

---

| Description | Part ID  | A  | C1 |
|-------------|----------|----|----|
| Snoot ET    | 145-7785 | 34 | 85 |

---



**WE-EF LIGHTING (Thailand) Co., Ltd.**

57 Moo 5, Kingkaew Rd., Bangplee, 10540 Samutprakarn - Phone: +66 2 738 96 20 - Fax: +66 2 738 96 29

<https://we-ef.com/asia>

Subject to technical changes and errors. - Generated on 19/04/2025