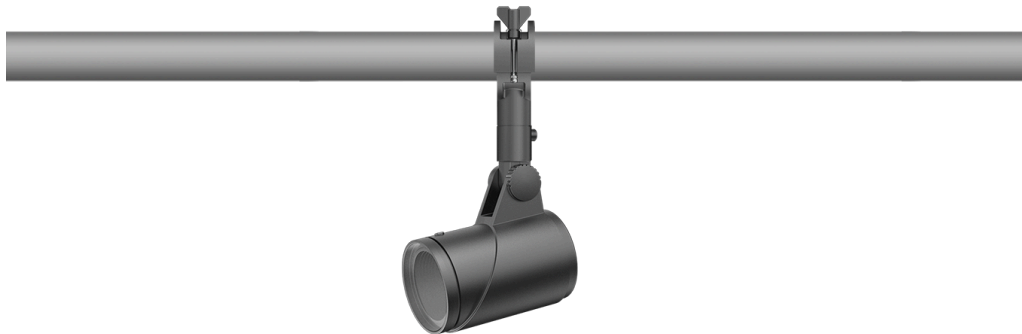


145-7961

FLC321 Space frame

**we-ef**



### Description

IP66. IK08. Marine-grade, die-cast aluminium alloy. 5CE superior corrosion protection including PCS hardware. Safety glass lens. Silicone CCG® Controlled Compression Gasket. Luminaire is factory-sealed and does not need to be opened during installation.

Integral EC electronic converter in thermally-separated compartment. Advanced thermal management protects LEDs while optimising lumens output. CAD-optimised optics for superior illumination and glare control.

12W, 18W, 26W / 120-277V / 0-10V Dimming.

Including terminal box, for mounting on  $\varnothing$  1.89-2.36 in pipes or space frames.

Optical accessories are factory-installed. To be specified at time of ordering.

|                           |                                  |
|---------------------------|----------------------------------|
| Weight                    | 8.00 lb                          |
| Light distribution        | symmetric, very narrow beam [VN] |
| Light source              | LED-6/18W / 1050 mA - 2700 K     |
| CRI                       | 80                               |
| Power supply              | electronic gear                  |
| LEDs                      | 6                                |
| Rated input power         | 21 W                             |
| <b>Nominal Lumen (lm)</b> |                                  |
| LED Lumen                 | 375                              |
| Total Lumen               | 2250                             |
| Tj                        | 85                               |
| <b>Rated lumens (lm)</b>  |                                  |
| LED Lumen                 | 283.5                            |
| Total Lumen               | 1701                             |
| Ta                        | 25                               |

### WE-EF LIGHTING USA, LLC

410-D Keystone Drive, 15086 Warrendale, PA 15086 - Phone: +1 724 742 0030

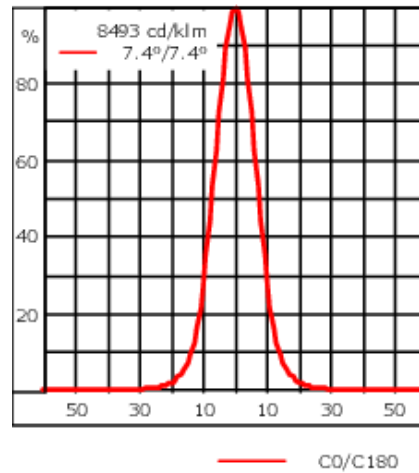
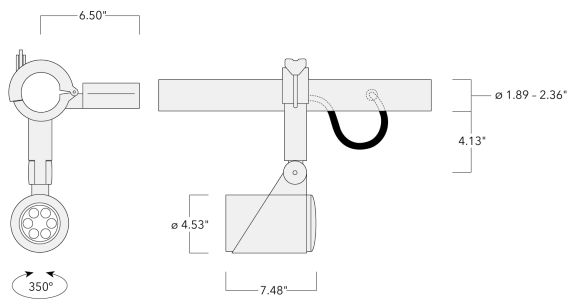
customersupport.usa@we-ef.com - <https://we-ef.com/us>

Subject to technical changes and errors. - Generated on 10/23/2024

145-7961

**we-ef**

**FLC321 Space frame**



**Specifications**

**Material description**

|                      |  |
|----------------------|--|
| Body                 | Marine-grade, die-cast aluminium alloy   |
| Lens                 | Safety glass lens  |
| Colors               | <div style="display: flex; align-items: center;"> <div style="width: 20px; height: 10px; background-color: black; margin-right: 5px;"></div> <span>RAL9004 Black</span> </div> <div style="display: flex; align-items: center; margin-top: 5px;"> <div style="width: 20px; height: 10px; background-color: grey; margin-right: 5px;"></div> <span>RAL9007 Grey Metallic</span> </div> <div style="display: flex; align-items: center; margin-top: 5px;"> <div style="width: 20px; height: 10px; background-color: white; border: 1px solid black; margin-right: 5px;"></div> <span>RAL9016 White</span> </div> |
| Gasket               | Silicone CCG® Controlled Compression Gasket  |
| Fasteners            | PCS hardware   |
| Ingress protection   | IP66   |
| Impact resistance    | IK08   |
| Corrosion resistance | 5CE  |
| Windage              | 0.7 ft <sup>2</sup>  |

**Electrical description**

|                  |                      |
|------------------|----------------------|
| Driver / Ballast | 120-277V AC/50-60 Hz |
|------------------|----------------------|

**Additional information**

|          |  |
|----------|--|
| Lifetime | Ta=25°/40° L90B10 > 90000h                                 |
| Listings | ETL, UL-1598, CSA-C22.2#250.0. Suitable for Wet Locations. |

**WE-EF LIGHTING USA, LLC**

410-D Keystone Drive, 15086 Warrendale, PA 15086 - Phone: +1 724 742 0030

customersupport.usa@we-ef.com - <https://we-ef.com/us>

Subject to technical changes and errors. - Generated on 10/23/2024

145-7961

**we-ef**

FLC321 Space frame

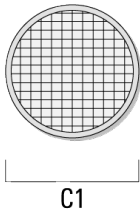
## Optical Accessories

### Softening Lens

---

| Description       | Part ID  | C1   |
|-------------------|----------|------|
| Flood lens IO-360 | 145-9992 | 3.43 |

---



---

### Linear spread lens

**WE-EF LIGHTING USA, LLC**

410-D Keystone Drive, 15086 Warrendale, PA 15086 - Phone: +1 724 742 0030

customersupport.usa@we-ef.com - <https://we-ef.com/us>

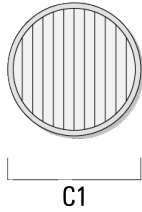
Subject to technical changes and errors. - Generated on 10/23/2024

**FLC321 Space frame**

---

| Description               | Part ID  | C1   |
|---------------------------|----------|------|
| Linear spread lens IO-180 | 145-9991 | 3.43 |

---



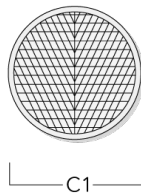
---

**Wallwash lens**

---

| Description         | Part ID  | C1   |
|---------------------|----------|------|
| Wallwash lens IO-20 | 145-9993 | 3.43 |

---



---

**Honeycomb louvre**

**WE-EF LIGHTING USA, LLC**

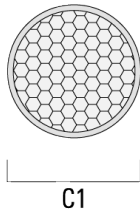
410-D Keystone Drive, 15086 Warrendale, PA 15086 - Phone: +1 724 742 0030

customersupport.usa@we-ef.com - <https://we-ef.com/us>

Subject to technical changes and errors. - Generated on 10/23/2024

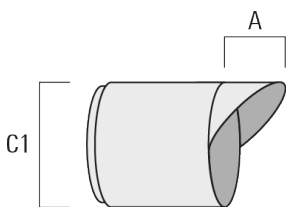
**FLC321 Space frame**

| Description         | Part ID  | C1   |
|---------------------|----------|------|
| Honeycomb louvre IW | 145-9994 | 3.43 |



**Glare shield**

| Description     | Part ID  | A    | C1   |
|-----------------|----------|------|------|
| Glare shield ES | 145-9995 | 2.17 | 4.49 |



**Snoot**

**WE-EF LIGHTING USA, LLC**

410-D Keystone Drive, 15086 Warrendale, PA 15086 - Phone: +1 724 742 0030

customersupport.usa@we-ef.com - <https://we-ef.com/us>

Subject to technical changes and errors. - Generated on 10/23/2024

145-7961

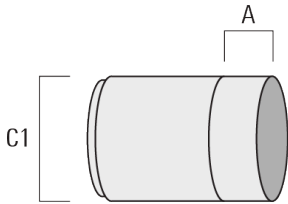
**we-ef**

**FLC321 Space frame**

---

| Description | Part ID  | A    | C1   |
|-------------|----------|------|------|
| Snoot ET    | 145-9996 | 2.20 | 4.49 |

---



**WE-EF LIGHTING USA, LLC**

410-D Keystone Drive, 15086 Warrendale, PA 15086 - Phone: +1 724 742 0030

customersupport.usa@we-ef.com - <https://we-ef.com/us>

Subject to technical changes and errors. - Generated on 10/23/2024

**145-7961**

**FLC321 Space frame**

**WE-EF LIGHTING USA, LLC**

410-D Keystone Drive, 15086 Warrendale, PA 15086

Phone: +1 724 742 0030

[customersupport.usa@we-ef.com](mailto:customersupport.usa@we-ef.com)

<https://we-ef.com/us>

Subject to technical changes and errors.

Generated on 10/23/2024

**we-ef**

---

A Fagerhult Group Company