

## AFL120 LED

**Description**

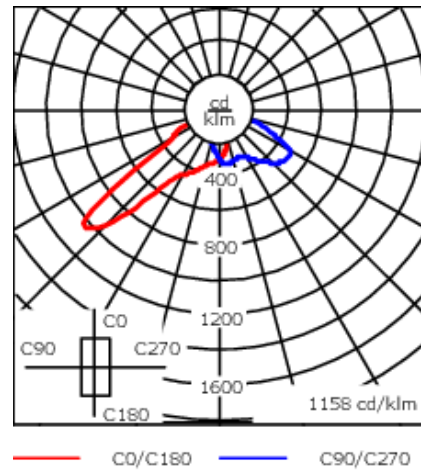
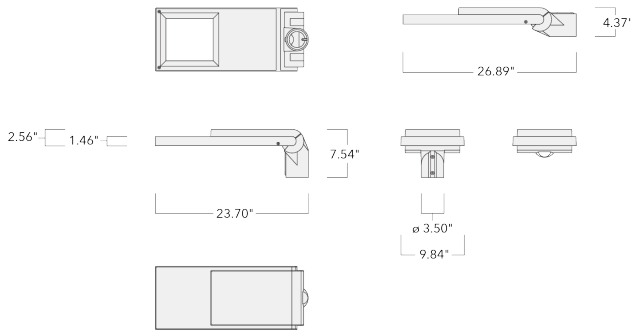
IP66, Class I or Class II. IK08. Marine-grade, die-cast aluminium alloy. 5CE superior corrosion protection including PCS hardware. CCG® Controlled Compression Gasket. Non-reflective flat safety glass cover, hinged. Integral EC electronic converter. CAD-optimised optics for superior illumination and glare control. OLC® One LED Concept. Factory installed LED circuit board. The luminaire is factory-sealed and does not need to be opened during installation. Can be used as post top or side entry version. Specification at time of order is recommended.

Spigot Ø 3" x 4"

Contact WE-EF direct or your local WE-EF sales representative for an individual solution designed to precisely meet your needs.

|                              |   |
|------------------------------|---|
| Weight                       | 15.40 lb                                      |
| Light distribution           | pedestrian crossing, left-hand traffic [P46L] |
| Light source                 | LED-24/24W / 350 mA - 3000 K                  |
| CRI                          | 80  |
| Power supply                 | electronic gear                               |
| LEDs                         | 24  |
| Rated input power            | 26.5 W  |
| <b>Nominal Lumen (lm)</b>    |   |
| LED Lumen                    | 155   |
| Total Lumen                  | 3720  |
| Tj                           | 85  |
| <b>Delivered lumens (lm)</b> |   |
| LED Lumen                    | 152.7   |
| Total Lumen                  | 3664.7  |
| Ta                           | 25  |

**AFL120 LED**



**Specifications**

**Material description**

|                      |  |
|----------------------|--|
| Body                 | Marine-grade, die-cast aluminium alloy   |
| Lens                 | Non-reflective safety glass lens   |
| Colors               | <div style="display: flex; align-items: center;"> <div style="width: 20px; height: 10px; background-color: black; margin-right: 5px;"></div> <span>RAL9004 Black</span> </div> <div style="display: flex; align-items: center; margin-top: 5px;"> <div style="width: 20px; height: 10px; background-color: grey; margin-right: 5px;"></div> <span>RAL9007 Grey Metallic</span> </div> <div style="display: flex; align-items: center; margin-top: 5px;"> <div style="width: 20px; height: 10px; background-color: white; margin-right: 5px;"></div> <span>RAL9016 White</span> </div> <div style="display: flex; align-items: center; margin-top: 5px;"> <div style="width: 20px; height: 10px; background-color: darkgrey; margin-right: 5px;"></div> <span>RAL8019 Dark Bronze</span> </div> |
| Gasket               | CCG® Controlled Compression Gasket   |
| Fasteners            | PCS Polymer Coated Stainless Steel Hardware  |
| Ingress protection   | IP66   |
| Impact resistance    | IK08   |
| Corrosion resistance | 5CE  |
| Windage              | 1.57 ft <sup>2</sup>   |

**Electrical description**

|                  |   |
|------------------|---|
| Power supply     | 120V - 277V Universal Driver            |
| Driver / Ballast | Integral EC electronic converter. 0-10V |
| Power factor     | > 0.9                                   |
| Surge protection | In-line bracket 10kV Surge Protector    |

**Additional information**

|          |                            |
|----------|----------------------------|
| Lifetime | Ta=25°/40° L90B10 > 90000h |
|----------|----------------------------|

## Mounting Accessories

### Bird deterrent

---

| Description       | Part ID  |
|-------------------|----------|
| Bird deterrent BD | 430-0015 |

---



**AFL120 LED**

**Adaptor**

---

| Description    | Part ID  |
|----------------|----------|
| Adaptor AFL100 | 102-0392 |

---



---

**Wall and pole brackets RE**

---

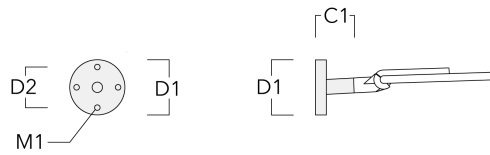
| Description                  | Part ID  | C1   | D1 | D2 | D × L1 | H1    | M1 | Weight (lb) |
|------------------------------|----------|------|----|----|--------|-------|----|-------------|
| RE2-540 Pole bracket, double | 111-0043 | 7.87 |    |    | 3 x 5  | 21.65 |    | 11.68       |

---

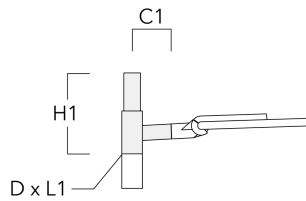


**AFL120 LED**

| Description          | Part ID  | C1   | D1   | D2   | D × L1 | H1 | M1   | Weight (lb) |
|----------------------|----------|------|------|------|--------|----|------|-------------|
| RE0-540 Wall bracket | 111-0084 | 7.09 | 9.06 | 7.68 |        |    | 0.47 | 7.05        |



|                              |          |     |  |  |       |     |  |      |
|------------------------------|----------|-----|--|--|-------|-----|--|------|
| RE1-540 Pole bracket, single | 111-0042 | 200 |  |  | 3 x 5 | 500 |  | 4.60 |
|------------------------------|----------|-----|--|--|-------|-----|--|------|



**AFL120 LED**

**Pole brackets RF**

| Description                  | Part ID  | C1   | D x L1 | H1   | Weight (lb) |
|------------------------------|----------|------|--------|------|-------------|
| RF2-540 Pole bracket, double | 111-0047 | 7.87 | 3 x 3  | 7.87 | 7.28        |



|                              |          |     |       |     |      |
|------------------------------|----------|-----|-------|-----|------|
| RF1-540 Pole bracket, single | 111-0046 | 200 | 3 x 3 | 200 | 2.60 |
|------------------------------|----------|-----|-------|-----|------|



**Wall and pole brackets RX**

| Description                  | Part ID  | C1    | D1 | D2 | D x L1      | H1    | H2 | M1 | M2 | Weight (lb) |
|------------------------------|----------|-------|----|----|-------------|-------|----|----|----|-------------|
| RX1-540 Pole bracket, single | 111-0054 | 39.37 |    |    | 2.99 x 3.15 | 21.65 |    |    |    | 14.99       |



|                              |          |       |  |  |             |       |  |  |  |       |
|------------------------------|----------|-------|--|--|-------------|-------|--|--|--|-------|
| RX2-540 Pole bracket, double | 111-0055 | 39.37 |  |  | 2.99 x 3.15 | 21.65 |  |  |  | 21.38 |
|------------------------------|----------|-------|--|--|-------------|-------|--|--|--|-------|



**AFL120 LED**

---

| Description          | Part ID  | C1    | D1   | D2   | D × L1 | H1    | H2    | M1   | M2   | Weight (lb) |
|----------------------|----------|-------|------|------|--------|-------|-------|------|------|-------------|
| RX0-540 Wall bracket | 111-0086 | 39.37 | 5.51 | 3.94 |        | 17.72 | 15.16 | 1.18 | 0.47 | 11.46       |

---



## Optical Accessories

### Backlight shield

| Description | Part ID  | Additional information  |
|-------------|----------|---|
| LS180       | 430-0029 | Glare Shield for backlight spill. Glare Shield factory-installed or available as retrofit kit. Suitable for [S61][S65][S66][S70][S71][R60][R61][P66][Q66][A61] lenses. Must be specified at time of ordering. |

