



Description

IP66, Class I. IK08. Marine-grade, die-cast aluminium alloy. 5CE superior corrosion protection including PCS hardware. Silicone CCG® Controlled Compression Gasket. RFC™ Reflection Free Contour main lens.

Integral electronic converter with DALI interface. CAD-optimised optics for superior illumination and glare control. OLC® One LED Concept. Factory installed LED circuit board. The luminaire is factory-sealed and does not need to be opened during installation. Optional 2200 K version up to max. 1050mA available. To be specified at time of ordering.

Including 0.5 m cable with a cable connector.

Maximum spacing for streetlighting applications depends on wattage and light distribution: 5.5 to 9 times the mounting height.

Wild-Light options available on request.

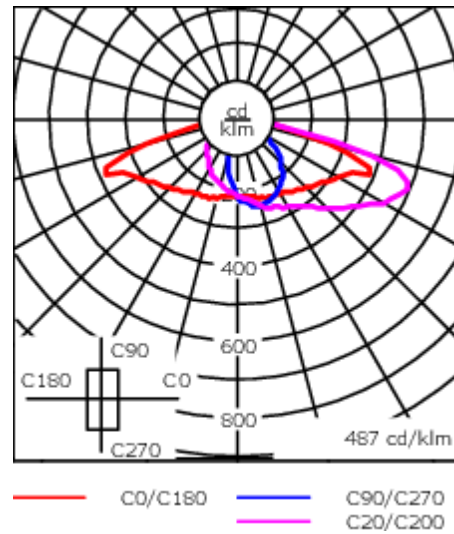
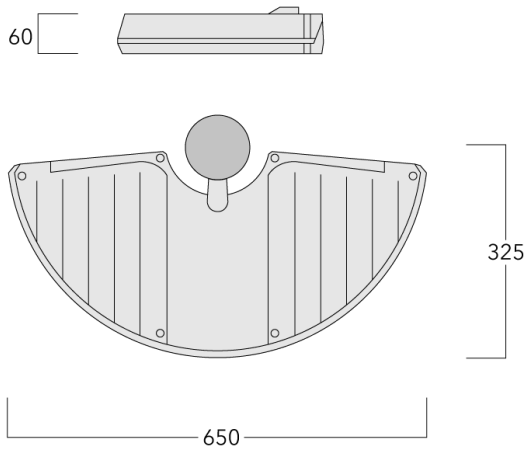
| | |
|--------------------|-------------------------------|
| Weight | 7.50 kg |
| Light distribution | asymmetric, side throw [S70] |
| Light source | LED-18/78W / 1400 mA - 4000 K |
| CRI | 80 |
| Power supply | EC |
| BUG | B2 U0 G2 |
| LEDs | 18 |
| Rated input power | 86 W |

Nominal Lumen (lm)

| | |
|-------------|-------|
| LED Lumen | 575 |
| Total Lumen | 10350 |
| Tj | 85 |

Rated lumens (lm)

| | |
|-------------|--------|
| LED Lumen | 478.5 |
| Total Lumen | 8613.1 |
| Ta | 25 |



Specifications

Material description

| | |
|----------------------|--|
| Body | Marine-grade, die-cast aluminium alloy |
| Lens | RFC™ Reflection Free Contour main lens |
| Colours | <div style="display: flex; align-items: center; margin-bottom: 5px;"> <div style="width: 20px; height: 15px; background-color: black; margin-right: 5px;"></div> RAL9004 Signal black </div> <div style="display: flex; align-items: center; margin-bottom: 5px;"> <div style="width: 20px; height: 15px; background-color: grey; margin-right: 5px;"></div> RAL9007 Grey aluminium </div> <div style="display: flex; align-items: center; margin-bottom: 5px;"> <div style="width: 20px; height: 15px; background-color: darkgrey; margin-right: 5px;"></div> RAL7016 Anthracite grey </div> <div style="display: flex; align-items: center;"> <div style="width: 20px; height: 15px; background-color: white; margin-right: 5px; border: 1px solid black;"></div> RAL9016 Traffic white </div> |
| Gasket | Silicone CCG® Controlled Compression Gasket |
| Fasteners | PCS hardware |
| Ingress protection | IP66 |
| Impact resistance | IK08 |
| Corrosion resistance | 5CE |

Electrical description

| | |
|------------------|---|
| Power supply | 220-240V / 50-60 Hz |
| Driver / Ballast | Integral electronic converter with DALI interface |
| Power factor | > 0.9 |

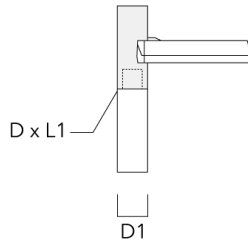
Additional information

| | |
|------------|--|
| Lifetime | Ta=25° L90B10 > 90000h |
| BUG Rating | Please see individual Spec Sheets for classification of Backlight, Uplight and Glare |

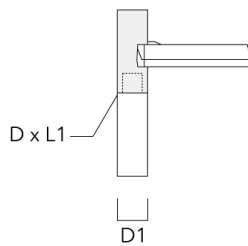
Mounting Accessories

Wall and pole brackets RM

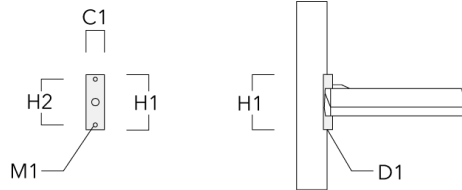
| Description | Part ID | C1 | C2 | C3 | D1 | D × L1 | H1 | H2 | M1 | Weight (kg) |
|---|----------|----|----|----|-----|---------|----|----|----|-------------|
| Pole bracket RM1-76, single for mounting on AMF-C poles | 105-9849 | | | | 114 | 76 x 80 | | | | 1.20 |



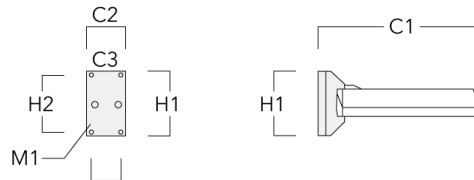
| | | | | | | | | | | |
|---|----------|--|--|--|-----|---------|--|--|--|------|
| Pole bracket RM1-76, single for mounting on AMW-C poles | 105-9847 | | | | 102 | 76 x 80 | | | | 1.00 |
|---|----------|--|--|--|-----|---------|--|--|--|------|



| Description | Part ID | C1 | C2 | C3 | D1 | D × L1 | H1 | H2 | M1 | Weight (kg) |
|---------------------|----------|----|----|----|------|--------|-----|-----|----|-------------|
| Short bracket RM1-S | 105-9845 | 50 | | | ≥ 76 | | 150 | 124 | 11 | 0.60 |



| | | | | | | | | | | |
|--------------------|----------|-----|-----|----|--|--|-----|-----|---|------|
| Wall bracket RM1-W | 105-9846 | 375 | 105 | 80 | | | 175 | 155 | 6 | 1.30 |
|--------------------|----------|-----|-----|----|--|--|-----|-----|---|------|



| Description | Part ID | C1 | C2 | C3 | D1 | D × L1 | H1 | H2 | M1 | Weight (kg) |
|---|----------|----|----|----|-----|---------|----|----|----|-------------|
| Pole bracket RM2-76, double for mounting on AMW-C poles | 105-9848 | | | | 102 | 76 x 80 | | | | 1.00 |

