

**FLC230 LED FRAMING PROJECTOR**



**Description**

Profile Projector [FP] for framing applications, polygon shape.

Spherical/triple flat convex lens system. Aperture angle ranges from 14.6-20.2°.

IP66. Class I. IK07. Marine-grade, die-cast aluminum alloy. 5CE superior corrosion protection including PCS hardware. Silicone CCG® Controlled Compression Gasket. Safety glass lens. One cable gland, second gland for through wiring on request. PMMA LED lens array. Integral driver, thermally separated. Factory-installed LED circuit board. LED board can be removed for upgrading.

Specify product with 7 Digit product code - Finish Color. Accessories, such as mounting, optical, and electrical, must be specified separately.

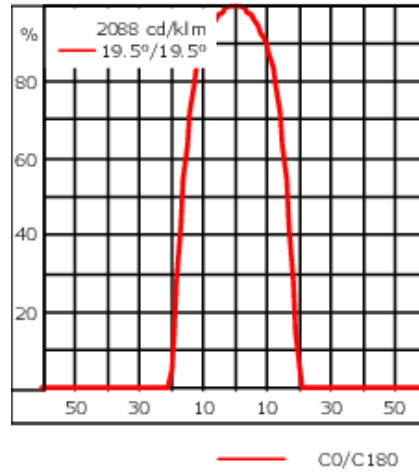
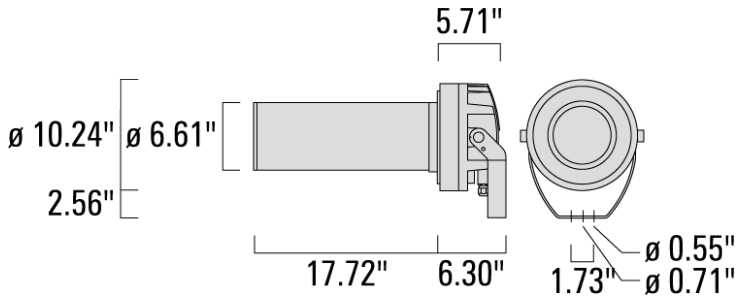
Example: XXX-XXXX-9004 (Black)  
+ XXX-XXXX (Accessory 1)

|                           |   |
|---------------------------|---|
| Weight                    | 10.80 lb  |
| Light distribution        | symmetric Framing-Projector [FP] - max aperture angle |
| Light source              | LED-FT-36W / 850 mA - 4000 K                          |
| CRI                       | 80  |
| Power supply              | electronic gear                                       |
| LEDs                      | 1   |
| Rated input power         | 39 W  |
| <b>Rated lumens (lm)</b>  |   |
| LED Lumen                 | 2790.1  |
| Total Lumen               | 2790.1  |
| Ta                        | 25  |
| <b>Nominal Lumen (lm)</b> |   |
| LED Lumen                 | 5450  |
| Total Lumen               | 5450  |
| Tc                        | 25  |

**WE-EF LIGHTING USA, LLC**

410-D Keystone Drive, 15086 Warrendale, PA 15086 - Phone: +1 724 742 0030  
customersupport.usa@we-ef.com - <https://we-ef.com/us>  
Subject to technical changes and errors. - Generated on 11/23/2024

**FLC230 LED FRAMING PROJECTOR**



**Specifications**

**Material description**

|                      |  |
|----------------------|--|
| Body                 | Marine-grade, die-cast aluminium alloy   |
| Lens                 | Safety glass lens  |
| Colors               | <ul style="list-style-type: none"> <li><span style="display: inline-block; width: 15px; height: 15px; background-color: black; margin-right: 5px;"></span> RAL9004 Black</li> <li><span style="display: inline-block; width: 15px; height: 15px; background-color: grey; margin-right: 5px;"></span> RAL9007 Grey Metallic</li> <li><span style="display: inline-block; width: 15px; height: 15px; background-color: white; margin-right: 5px;"></span> RAL9016 White</li> <li><span style="display: inline-block; width: 15px; height: 15px; background-color: darkgrey; margin-right: 5px;"></span> RAL8019 Dark Bronze</li> </ul> |
| Gasket               | Silicone CCG® Controlled Compression Gasket  |
| Fasteners            | PCS Polymer Coated Stainless Steel Hardware  |
| Ingress protection   | IP66   |
| Impact resistance    | IK07   |
| Corrosion resistance | 5CE superior corrosion protection system   |
| Windage              | 1.073  |

**WE-EF LIGHTING USA, LLC**

410-D Keystone Drive, 15086 Warrendale, PA 15086 - Phone: +1 724 742 0030

customersupport.usa@we-ef.com - <https://we-ef.com/us>

Subject to technical changes and errors. - Generated on 11/23/2024

**FLC230 LED FRAMING PROJECTOR**

**Electrical description**

---

|                  |   |
|------------------|---|
| Power supply     | Integral [ECG] electronic driver 120V-277V. 0-10V dimmable, to be specified with order. |
| Driver / Ballast | Integral EC electronic converter with 0-10V dimming, thermally separated                |
| Power factor     | > 0.9   |
| Surge protection | Integral 10kV Surge Protector   |

---

**Additional information**

---

|          |  |
|----------|--|
| Lifetime | Ta=25°/40° L70B50 > 50000h                                 |
| Listings | ETL, UL-1598, CSA-C22.2#250.0. Suitable for Wet Locations. |

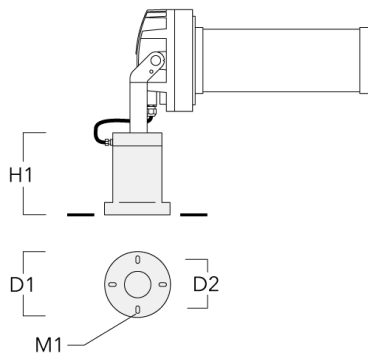
---

**FLC230 LED FRAMING PROJECTOR**

**Mounting Accessories**

**Short post EM**

| Description | Part ID  | D1  | D2   | H1    | M1    | Weight (lb) |
|-------------|----------|-----|------|-------|-------|-------------|
| EM1-M16     | 270-9038 | 6.3 | 5.12 | 7.87" | 0.35" | 4.85 lbs    |



**WE-EF LIGHTING USA, LLC**

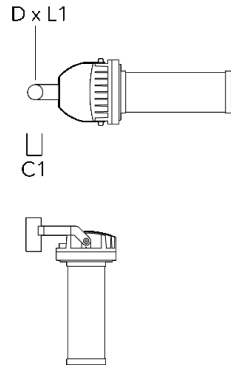
410-D Keystone Drive, 15086 Warrendale, PA 15086 - Phone: +1 724 742 0030  
 customersupport.usa@we-ef.com - <https://we-ef.com/us>

Subject to technical changes and errors. - Generated on 11/23/2024

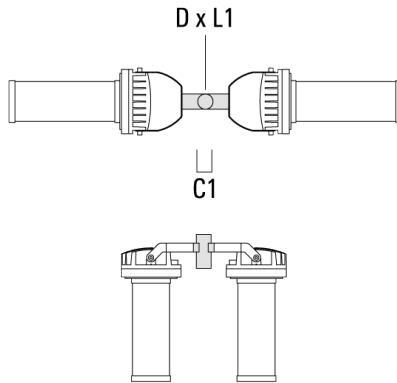
**FLC230 LED FRAMING PROJECTOR**

**Floodlight mounting bracket TA**

| Description                               | Part ID  | A | C1   | D x L1   | L    | Weight (lb) | D x S     |
|---|----------|---|------|----------|------|-------------|-----------|
| TA1 Mounting bracket, single (Ø 4.25 x 8) | 147-0096 |   | 5.12 | 4.25 x 8 | 4.25 | 16.53       | 108 x 200 |



|  |          |  |      |       |      |      |          |
|--|----------|--|------|-------|------|------|----------|
| TA2 Mounting bracket, double (Ø 3 x 8) | 147-0024 |  | 5.12 | 3 x 8 | 2.99 | 4.19 | 76 x 200 |
|--|----------|--|------|-------|------|------|----------|

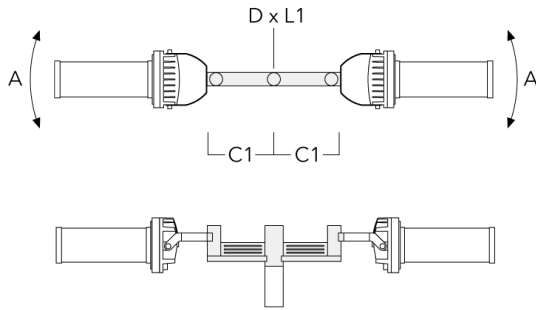


**WE-EF LIGHTING USA, LLC**

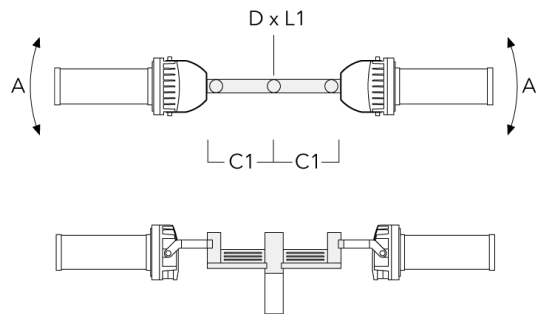
410-D Keystone Drive, 15086 Warrendale, PA 15086 - Phone: +1 724 742 0030  
 customersupport.usa@we-ef.com - <https://we-ef.com/us>  
 Subject to technical changes and errors. - Generated on 11/23/2024

**FLC230 LED FRAMING PROJECTOR**

| Description                                 | Part ID  | A    | C1    | D x L1   | L    | Weight (lb) | D x S     |
|---|----------|------|-------|----------|------|-------------|-----------|
| TA2-L Mounting bracket, double (Ø 4.25 x 8) | 147-0148 | ±90° | 16.54 | 4.25 x 8 | 4.25 | 44.53       | 108 x 200 |



|  |          |      |       |       |      |       |          |
|--|----------|------|-------|-------|------|-------|----------|
| TA2-L Mounting bracket, double (Ø 3 x 8) | 147-0105 | ±90° | 16.54 | 3 x 8 | 2.99 | 35.49 | 76 x 200 |
|--|----------|------|-------|-------|------|-------|----------|

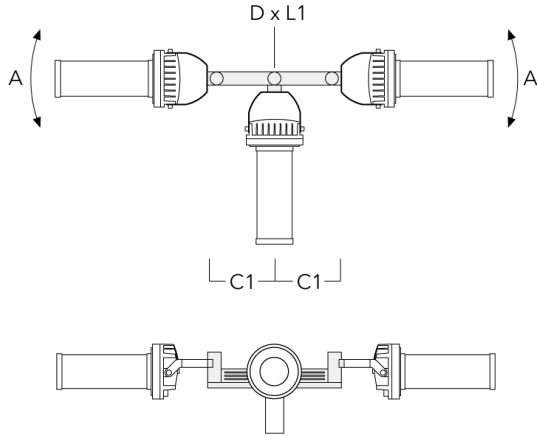


**WE-EF LIGHTING USA, LLC**

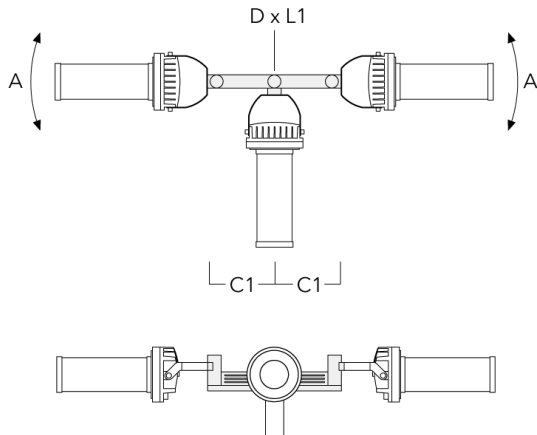
410-D Keystone Drive, 15086 Warrendale, PA 15086 - Phone: +1 724 742 0030  
 customersupport.usa@we-ef.com - <https://we-ef.com/us>  
 Subject to technical changes and errors. - Generated on 11/23/2024

**FLC230 LED FRAMING PROJECTOR**

| Description                               | Part ID  | A    | C1    | D x L1   | L   | Weight (lb) | D x S    |
|---|----------|------|-------|----------|-----|-------------|----------|
| TA3 Mounting bracket, triple (Ø 3.50 x 8) | 147-0025 | ±90° | 25.59 | 3.50 x 8 | 3.5 | 39.46       | 89 x 200 |



|   |          |      |        |          |  |           |           |
|---|----------|------|--------|----------|--|-----------|-----------|
| TA3 Mounting bracket, triple (Ø 4.25 x 8) | 147-0098 | ±90° | 25.59" | 4.25 x 8 |  | 53.35 lbs | 108 x 200 |
|---|----------|------|--------|----------|--|-----------|-----------|



**WE-EF LIGHTING USA, LLC**

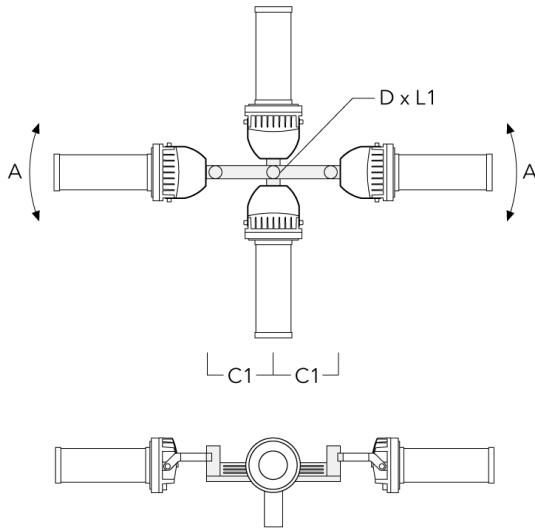
410-D Keystone Drive, 15086 Warrendale, PA 15086 - Phone: +1 724 742 0030

customersupport.usa@we-ef.com - <https://we-ef.com/us>

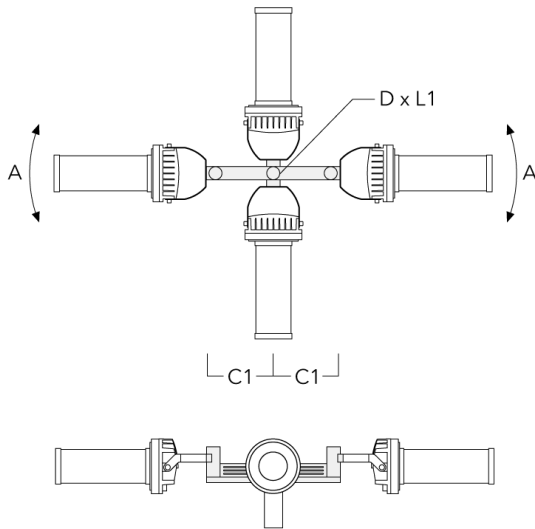
Subject to technical changes and errors. - Generated on 11/23/2024

**FLC230 LED FRAMING PROJECTOR**

| Description                             | Part ID  | A    | C1    | D x L1   | L | Weight (lb) | D x S    |
|---|----------|------|-------|----------|---|-------------|----------|
| TA4 Mounting bracket, quad (Ø 3.50 x 8) | 147-0099 | ±90° | 25.59 | 3.50 x 8 |   | 45.86 lbs   | 89 x 200 |



|   |          |      |     |          |  |       |           |
|---|----------|------|-----|----------|--|-------|-----------|
| TA4 Mounting bracket, quad (Ø 4.25 x 8) | 147-0100 | ±90° | 650 | 4.25 x 8 |  | 53.00 | 108 x 200 |
|---|----------|------|-----|----------|--|-------|-----------|



**WE-EF LIGHTING USA, LLC**

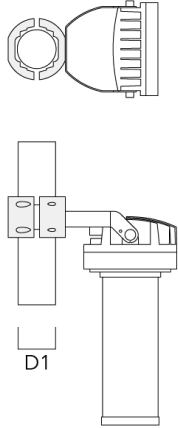
410-D Keystone Drive, 15086 Warrendale, PA 15086 - Phone: +1 724 742 0030  
 customersupport.usa@we-ef.com - <https://we-ef.com/us>  
 Subject to technical changes and errors. - Generated on 11/23/2024



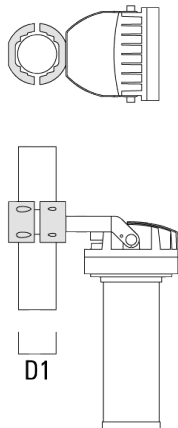
**FLC230 LED FRAMING PROJECTOR**

**Pole clamp TS**

| Description                                | Part ID  | D1       | Weight(lb) | D       |
|--|----------|----------|------------|---------|
| TS1-2/M12 Pole clamp, single (Ø 4.0"-4.5") | 147-0526 | 4.0-4.50 | 3.53       | 102-114 |



|   |          |         |      |         |
|---|----------|---------|------|---------|
| TS1-2/M12 Pole clamp, single (Ø 4.5"-5.25") | 147-0544 | 114-133 | 3.75 | 114-133 |
|---|----------|---------|------|---------|

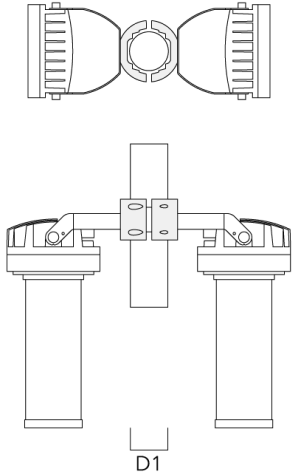


**WE-EF LIGHTING USA, LLC**

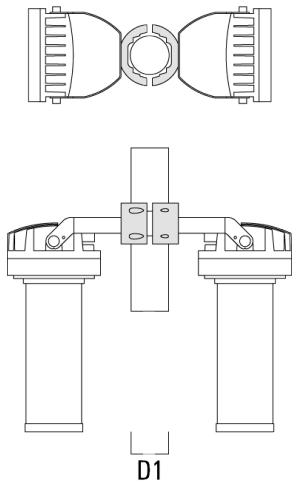
410-D Keystone Drive, 15086 Warrendale, PA 15086 - Phone: +1 724 742 0030  
 customersupport.usa@we-ef.com - <https://we-ef.com/us>  
 Subject to technical changes and errors. - Generated on 11/23/2024

**FLC230 LED FRAMING PROJECTOR**

| Description                                | Part ID  | D1       | Weight (lb) | D       |
|--|----------|----------|-------------|---------|
| TS2-2/M16 Pole clamp, double (Ø 4.0"-4.5") | 147-0527 | 4.0-4.50 | 3.31        | 102-114 |



|  |          |           |          |       |
|--|----------|-----------|----------|-------|
| TS2-2/M12 Pole clamp, double (Ø 3"-3.5") | 147-0545 | 3.0"-3.5" | 3.09 lbs | 76-89 |
|--|----------|-----------|----------|-------|

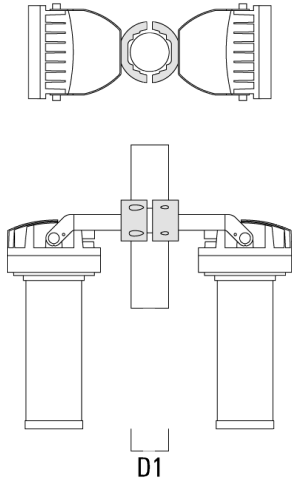


**WE-EF LIGHTING USA, LLC**

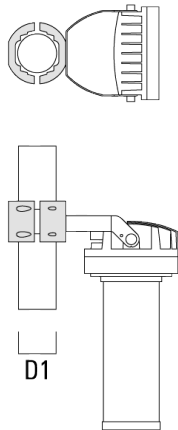
410-D Keystone Drive, 15086 Warrendale, PA 15086 - Phone: +1 724 742 0030  
 customersupport.usa@we-ef.com - <https://we-ef.com/us>  
 Subject to technical changes and errors. - Generated on 11/23/2024

**FLC230 LED FRAMING PROJECTOR**

| Description                                 | Part ID  | D1        | Weight (lb) | D       |
|---|----------|-----------|-------------|---------|
| TS2-2/M16 Pole clamp, double (Ø 4.5"-5.25") | 147-0546 | 4.50-5.25 | 3.53        | 114-133 |



|  |          |          |      |       |
|--|----------|----------|------|-------|
| TS1-2/M12 Pole clamp, single (Ø 3"-3.5") | 147-0543 | 3.0-3.50 | 3.31 | 76-89 |
|--|----------|----------|------|-------|



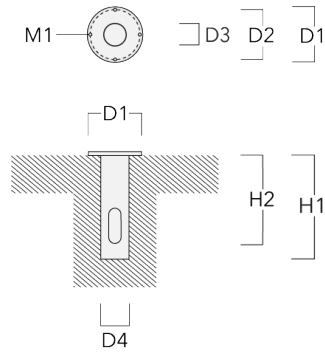
**WE-EF LIGHTING USA, LLC**

410-D Keystone Drive, 15086 Warrendale, PA 15086 - Phone: +1 724 742 0030  
 customersupport.usa@we-ef.com - <https://we-ef.com/us>  
 Subject to technical changes and errors. - Generated on 11/23/2024

**FLC230 LED FRAMING PROJECTOR**

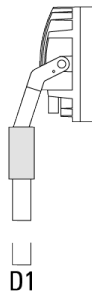
**Planted root**

| Description       | Part ID  | D1   | D2   | D3   | D4   | H1    | H2    | M1  | Weight (lb) |
|-------------------|----------|------|------|------|------|-------|-------|-----|-------------|
| Planted root ESV4 | 300-0461 | 5.71 | 5.12 | 2.36 | 3.50 | 15.75 | 13.78 | .31 | 8.44        |



**Pole top caps KF**

| Description                      | Part ID  | D1   | D × L1   | Weight (lb) | D        |
|----------------------------------|----------|------|----------|-------------|----------|
| KF16-60/M16 Spigot Cap (Ø 2.36") | 310-9120 | 2.36 | 2.36 x 4 | 4.4 lbs     | 60 x 100 |

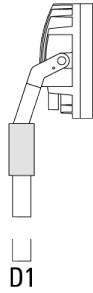


**FLC230 LED FRAMING PROJECTOR**

---

| Description                     | Part ID  | D1 | D × L1 | Weight (lb) | D        |
|---------------------------------|----------|----|--------|-------------|----------|
| KF16-76/M16 Spigot Cap (Ø 3.0") | 310-9121 | 3  | 3 x 4  | 1.10 lbs    | 76 x 100 |

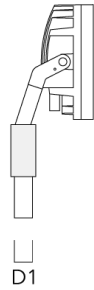
---



---

|                                 |          |      |         |          |    |
|---------------------------------|----------|------|---------|----------|----|
| KF16-89/M16 Spigot Cap (Ø 3.5") | 300-0734 | 3.50 | 3.5 x 3 | 1.10 lbs | 89 |
|---------------------------------|----------|------|---------|----------|----|

---



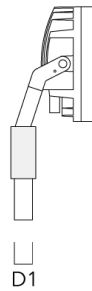
**WE-EF LIGHTING USA, LLC**

410-D Keystone Drive, 15086 Warrendale, PA 15086 - Phone: +1 724 742 0030  
customersupport.usa@we-ef.com - <https://we-ef.com/us>

Subject to technical changes and errors. - Generated on 11/23/2024

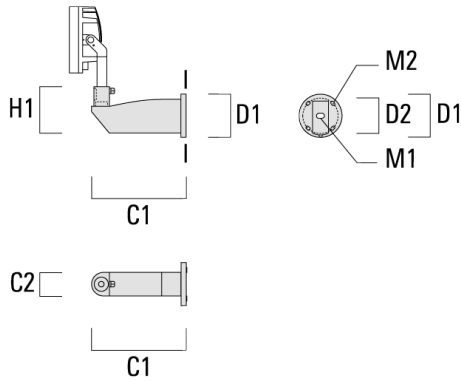
**FLC230 LED FRAMING PROJECTOR**

| Description                       | Part ID  | D1   | D × L1   | Weight (lb) | D   |
|-----------------------------------|----------|------|----------|-------------|-----|
| KF16-108/M16 Spigot Cap (Ø 4.25") | 300-0735 | 4.25 | 4.25 x 3 | 4.4 lbs     | 108 |



**Wall Mount Bracket WMB**

| Description               | Part ID  | C1    | C2   | D1   | D2   | H1    | M1   | M2   | Weight (lb) |
|---------------------------|----------|-------|------|------|------|-------|------|------|-------------|
| WMB200 Wall mount bracket | 147-6015 | 20.28 | 4.72 | 9.25 | 7.88 | 11.34 | 1.05 | 0.47 | 20.0 lbs    |



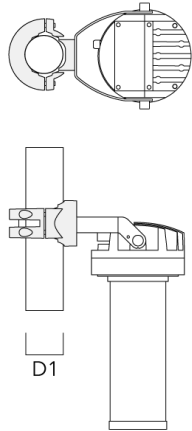
**WE-EF LIGHTING USA, LLC**

410-D Keystone Drive, 15086 Warrendale, PA 15086 - Phone: +1 724 742 0030  
 customersupport.usa@we-ef.com - <https://we-ef.com/us>  
 Subject to technical changes and errors. - Generated on 11/23/2024

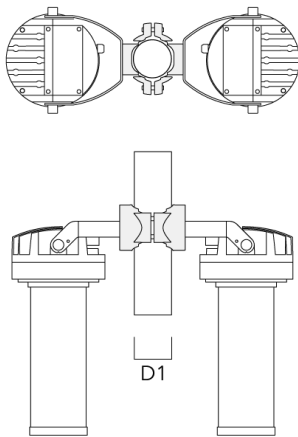
**FLC230 LED FRAMING PROJECTOR**

**Pole clamp PC**

| Description                                 | Part ID  | D1       | Weight (lb) |
|---|----------|----------|-------------|
| PC1 76-89/60 Pole clamp, single (Ø 3"-3.5") | 139-2702 | 3.0-3.50 | 2.20        |



|   |          |          |      |
|---|----------|----------|------|
| PC2 76-89/60 Pole clamp, double (Ø 3"-3.5") | 139-2703 | 3.0-3.50 | 2.20 |
|---|----------|----------|------|



**WE-EF LIGHTING USA, LLC**

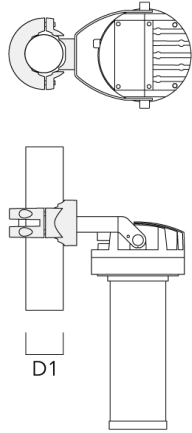
410-D Keystone Drive, 15086 Warrendale, PA 15086 - Phone: +1 724 742 0030  
 customersupport.usa@we-ef.com - <https://we-ef.com/us>  
 Subject to technical changes and errors. - Generated on 11/23/2024

**FLC230 LED FRAMING PROJECTOR**

---

| Description                                    | Part ID  | D1        | Weight (lb) |
|--|----------|-----------|-------------|
| PC1 82-109/60 Pole camp, single (Ø 3.25"-4.3") | 139-2704 | 3.20-4.30 | 2.40        |

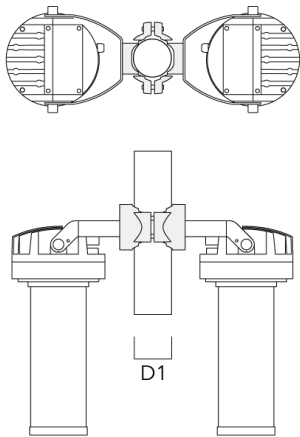
---



---

|  |          |           |      |
|--|----------|-----------|------|
| PC2 82-109/60 Pole clamp, double (Ø 3.25"-4.25") | 139-2705 | 3.20-4.30 | 2.40 |
|--|----------|-----------|------|

---



**WE-EF LIGHTING USA, LLC**

410-D Keystone Drive, 15086 Warrendale, PA 15086 - Phone: +1 724 742 0030  
customersupport.usa@we-ef.com - <https://we-ef.com/us>  
Subject to technical changes and errors. - Generated on 11/23/2024

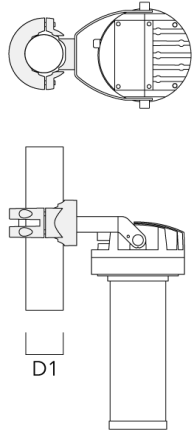


**FLC230 LED FRAMING PROJECTOR**

---

| Description                                      | Part ID  | D1       | Weight (lb) |
|--|----------|----------|-------------|
| PC1 102-114/60 Pole clamp, single<br>(Ø 4"-4,5") | 139-2706 | 4.0-4.50 | 2.65        |

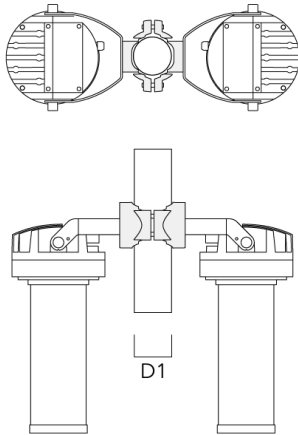
---



---

|  |          |          |      |
|--|----------|----------|------|
| PC2 102-114/60 Pole clamp, double<br>(Ø 4"-4.5") | 139-2707 | 4.0-4.50 | 2.65 |
|--|----------|----------|------|

---

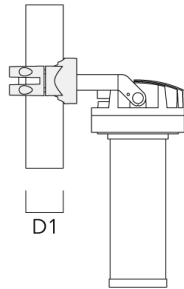
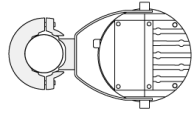


**WE-EF LIGHTING USA, LLC**

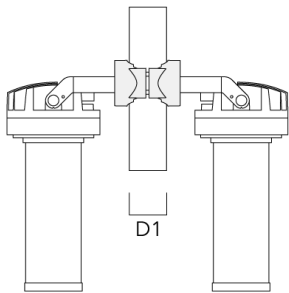
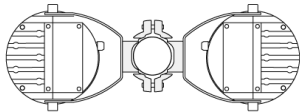
410-D Keystone Drive, 15086 Warrendale, PA 15086 - Phone: +1 724 742 0030  
customersupport.usa@we-ef.com - <https://we-ef.com/us>  
Subject to technical changes and errors. - Generated on 11/23/2024

**FLC230 LED FRAMING PROJECTOR**

| Description   | Part ID  | D1       | Weight (lb) |
|---|----------|----------|-------------|
| PC1 114-133/60 Pole clamp, single<br>(Ø 4.5"-5.25") | 139-2708 | 4.5-5.25 | 3.10        |



|   |          |          |      |
|---|----------|----------|------|
| PC2 114-133/60 Pole clamp, double<br>(Ø 4.5"-5.25") | 139-2709 | 4.5-5.25 | 3.10 |
|---|----------|----------|------|



**WE-EF LIGHTING USA, LLC**

410-D Keystone Drive, 15086 Warrendale, PA 15086 - Phone: +1 724 742 0030  
 customersupport.usa@we-ef.com - <https://we-ef.com/us>  
 Subject to technical changes and errors. - Generated on 11/23/2024