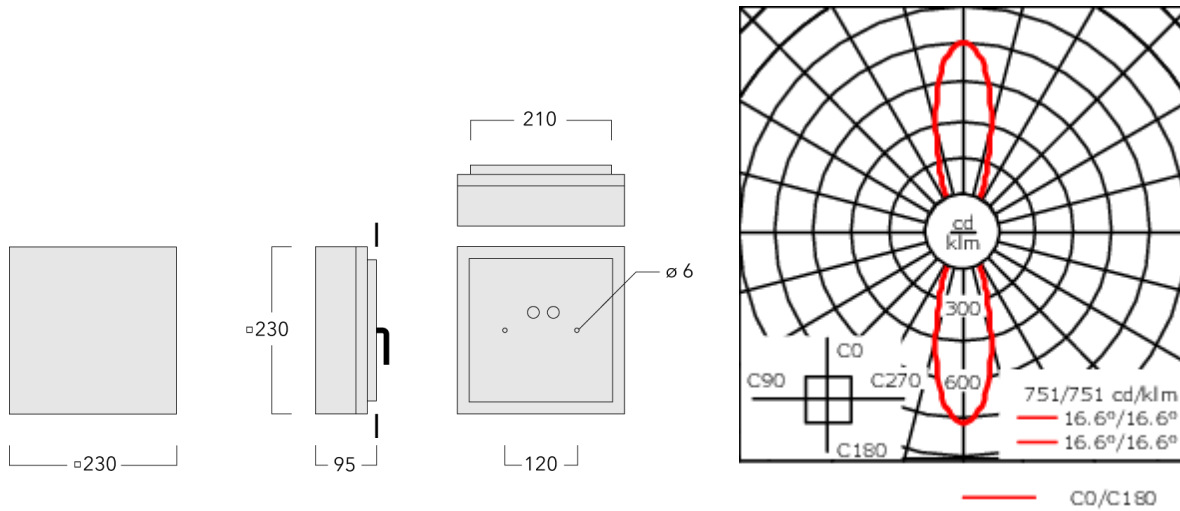




### Description

IP66, Class I. Class II on request. IK07. Marine-grade, die-cast aluminium alloy. 5CE superior corrosion protection including PCS hardware. Silicone CCG® Controlled Compression Gasket. Safety glass lens. Two cable entries. Integral EC electronic converter. CAD-optimised optics for superior illumination and glare control. OLC® One LED Concept. Factory installed LED circuit board. 1-10V or DALI interface on request. Optional 2200 K version up to max. 1050mA available. To be specified at time of ordering.

|                           |  |
|---------------------------|--|
| Weight                    | 3.10 kg                                  |
| Light distribution        | symmetric, medium beam up and down [M/M] |
| Light source              | LED-2x6/24W / 700 mA - 4000 K            |
| CRI                       | 80                                       |
| Power supply              | EC                                       |
| LEDs                      | 12                                       |
| Rated input power         | 27 W                                     |
| <b>Nominal Lumen (lm)</b> |  |
| LED Lumen                 | 310                                      |
| Total Lumen               | 3720                                     |
| Tj                        | 85                                       |
| <b>Rated lumens (lm)</b>  |  |
| LED Lumen                 | 209                                      |
| Total Lumen               | 2508.1                                   |
| Ta                        | 25                                       |



## Specifications

### Material description

|                      |   |
|----------------------|---|
| Body                 | Marine-grade die-cast aluminium alloy   |
| Lens                 | Safety glass lens   |
| Colours              | <ul style="list-style-type: none"> <li><span style="display: inline-block; width: 15px; height: 15px; background-color: black; margin-right: 5px;"></span> RAL9004 Signal black</li> <li><span style="display: inline-block; width: 15px; height: 15px; background-color: #cccccc; margin-right: 5px;"></span> RAL9006 White aluminium</li> <li><span style="display: inline-block; width: 15px; height: 15px; background-color: #808080; margin-right: 5px;"></span> RAL9007 Grey aluminium</li> <li><span style="display: inline-block; width: 15px; height: 15px; background-color: #333333; margin-right: 5px;"></span> RAL7016 Anthracite grey</li> <li><span style="display: inline-block; width: 15px; height: 15px; background-color: #e0e0e0; margin-right: 5px;"></span> RAL9016 Traffic white</li> </ul> |
| Gasket               | Silicone CCG® Controlled Compression Gasket   |
| Fasteners            | PCS Polymer Coated Stainless Steel Hardware   |
| Ingress protection   | IP66  |
| Impact resistance    | IK07  |
| Corrosion resistance | 5CE   |

### Electrical description

|                  |   |
|------------------|---|
| Power supply     | 220-240V / 50-60 Hz   |
| Driver / Ballast | Standard. Optional DALI version available. To be specified at time of ordering. |
| Surge protection | 1/2 kV  |

### Additional information

|                         |                        |
|-------------------------|------------------------|
| Lifetime                | Ta=25° L90B10 > 90000h |
| Energy efficiency class | C-D (Light source)     |