



#### **Description**

IP66, Class I. Class II on request. IK07. Marine-grade, die-cast aluminium alloy. 5CE superior corrosion protection including PCS hardware. Silicone rubber gasket. Safety glass lens, hinged. Frame with safety catch. Two cable entries. Integral EC electronic converter in thermally separated compartment. CAD-optimised optics for superior illumination and glare control. OLC® One LED Concept. Factory installed LED circuit board.

Optional 2200 K version available. To be specified at time of ordering.

A pre-installation blackout, proud or flush, is available and recommended for mounting in concrete ceilings. To be ordered separately.

Luminaire suitable for chlorine containing environments e.g. swimming pools, on request. Must be specified at time of ordering.

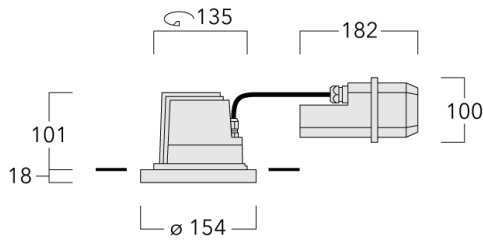
|                    |                              |
|--------------------|------------------------------|
| Weight             | 2.10 kg                      |
| Light distribution | symmetric, medium beam [M]   |
| Light source       | LED-12/24W / 700 mA - 3000 K |
| CRI                | 80                           |
| Power supply       | EC                           |
| LEDs               | 12                           |
| Rated input power  | 27 W                         |

#### **Nominal Lumen (lm)**

|             |      |
|-------------|------|
| LED Lumen   | 290  |
| Total Lumen | 3480 |
| Tj          | 85   |

#### **Rated lumens (lm)**

|             |        |
|-------------|--------|
| LED Lumen   | 249.9  |
| Total Lumen | 2998.6 |
| Ta          | 25     |



## Specifications

### Material description

|                      |  |
|----------------------|--|
| Body                 | Marine-grade, die-cast aluminium alloy   |
| Lens                 | Safety glass lens, hinged  |
| Colours              | <div style="display: flex; align-items: center;"> <div style="width: 20px; height: 15px; background-color: black; margin-right: 5px;"></div> <span>RAL9004 Signal black</span> </div> <div style="display: flex; align-items: center;"> <div style="width: 20px; height: 15px; background-color: #cccccc; margin-right: 5px;"></div> <span>RAL9006 White aluminium</span> </div> <div style="display: flex; align-items: center;"> <div style="width: 20px; height: 15px; background-color: #808080; margin-right: 5px;"></div> <span>RAL9007 Grey aluminium</span> </div> <div style="display: flex; align-items: center;"> <div style="width: 20px; height: 15px; background-color: #333333; margin-right: 5px;"></div> <span>RAL7016 Anthracite grey</span> </div> <div style="display: flex; align-items: center;"> <div style="width: 20px; height: 15px; background-color: #e0e0e0; margin-right: 5px;"></div> <span>RAL9016 Traffic white</span> </div> |
| Gasket               | Silicone rubber gasket   |
| Fasteners            | PCS Polymer Coated Stainless Steel Hardware  |
| Ingress protection   | IP66   |
| Impact resistance    | IK07   |
| Corrosion resistance | 5CE  |

### Electrical description

|                  |   |
|------------------|---|
| Power supply     | 220-240V / 50-60 Hz   |
| Driver / Ballast | Standard. Optional DALI version available. To be specified at time of ordering. |
| Surge protection | 6/6 kV  |

### Additional information

|                         |                        |
|-------------------------|------------------------|
| Lifetime                | Ta=25° L90B10 > 90000h |
| Energy efficiency class | C-D (Light source)     |

#### Fagerhult Lighting Ltd

33-34 Dolben Street, SE1 0UQ London, United Kingdom

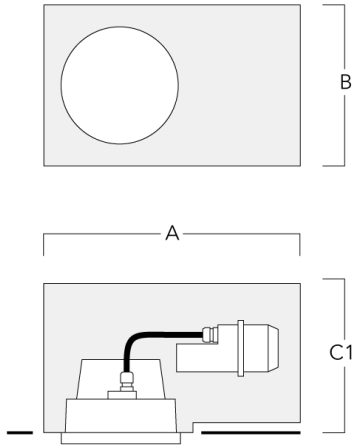
<https://we-ef.com/uk>

Subject to technical changes and errors. - Generated on 23/11/2024

**Mounting Accessories**

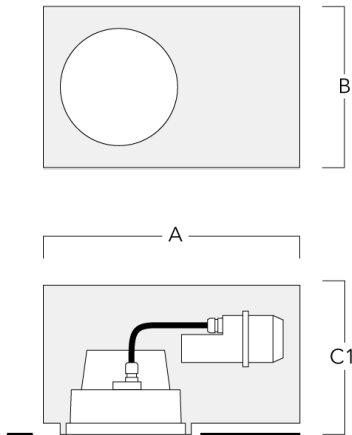
**Installation blackout, proud**

| Description                   | Part ID  | A   | B   | C1  | C   |
|-------------------------------|----------|-----|-----|-----|-----|
| Installation blackout BDO22-I | 134-0797 | 383 | 200 | 209 | 195 |



**Installation blackout, flush**

| Description                    | Part ID  | A   | B   | C1  | C   |
|--------------------------------|----------|-----|-----|-----|-----|
| Installation blackout BDO22-II | 134-1161 | 383 | 200 | 227 | 195 |

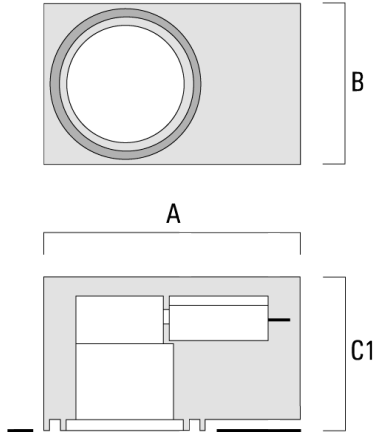


**Installation blackout, flush with shadow line**

---

| Description                     | Part ID  | A   | B   | C1  |
|---------------------------------|----------|-----|-----|-----|
| Installation blackout BDO22-III | 134-1497 | 383 | 200 | 227 |

---



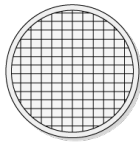
**Optical Accessories**

**Flood lens**

---

| Description           | Part ID  | C1  |
|-----------------------|----------|-----|
| IO-360-DAC/DOC220-LED | 134-1440 | 105 |

---



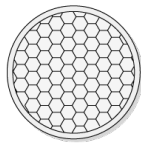
---

**Honeycomb louvre**

---

| Description       | Part ID  | C1  |
|-------------------|----------|-----|
| IW-DAC/DOC220-LED | 134-1444 | 105 |

---



**Wallwash lens**

---

| Description             | Part ID  | C1  |
|-------------------------|----------|-----|
| IO-20-WW-DAC/DOC220-LED | 134-1491 | 105 |

---



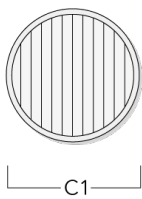
---

**Linear spread lens**

---

| Description           | Part ID  | C1  |
|-----------------------|----------|-----|
| IO-180-DAC/DOC220-LED | 134-1381 | 105 |

---



**134-1210**  
**DOC220 LED**

**we-ef**

## **Control**

### **DALI interface**

---

| Description    | Part ID  | C  |
|----------------|----------|----|
| DALI interface | 430-0013 | 90 |

---

**Fagerhult Lighting Ltd**

33-34 Dolben Street, SE1 0UQ London, United Kingdom

<https://we-ef.com/uk>

Subject to technical changes and errors. - Generated on 23/11/2024