

134-1254

DOC240-GB LED

**we-ef**



#### Description

IP66, Class I. Class II on request. IK07. Marine-grade, die-cast aluminium alloy. 5CE superior corrosion protection including PCS hardware. Silicone rubber gasket. Safety glass lens, hinged. Frame with safety catch. Two cable entries. Integral EC electronic converter in thermally separated compartment. CAD-optimised optics for superior illumination and glare control. OLC® One LED Concept. Factory installed LED circuit board. Gimbal mounted, 30° tiltable and 355° rotatable.

Optional 2200 K version available. To be specified at time of ordering.

A pre-installation blockout, proud or flush, is available and recommended for mounting in concrete ceilings. To be ordered separately.

Luminaire suitable for chlorine containing environments e.g. swimming pools, on request. Must be specified at time of ordering.

|                    |                              |
|--------------------|------------------------------|
| Weight             | 5.50 kg                      |
| Light distribution | symmetric, medium beam [M]   |
| Light source       | LED-12/18W / 500 mA - 4000 K |
| CRI                | 80                           |
| Power supply       | EC                           |
| LEDs               | 12                           |
| Rated input power  | 21 W                         |

#### Nominal Lumen (lm)

|             |      |
|-------------|------|
| LED Lumen   | 230  |
| Total Lumen | 2760 |
| Tj          | 85   |

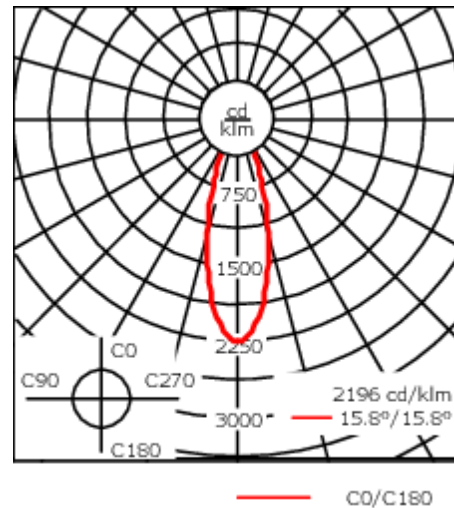
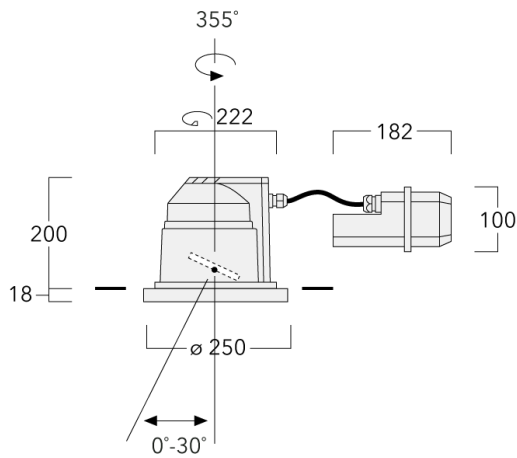
#### Rated lumens (lm)

|             |        |
|-------------|--------|
| LED Lumen   | 198.2  |
| Total Lumen | 2378.2 |
| Ta          | 25     |

#### WE-EF LEUCHTEN GmbH

Töpinger Straße 16, 29646 Bispingen, Germany - Phone: +49 5194 909-0  
info@we-ef.com - <https://we-ef.com>

Subject to technical changes and errors. - Generated on 23/11/2024



## Specifications

### Material description

|                      |   |
|----------------------|---|
| Body                 | Marine-grade die-cast aluminium alloy   |
| Lens                 | Safety glass lens, hinged   |
| Colours              | <ul style="list-style-type: none"> <li><span style="display: inline-block; width: 15px; height: 15px; background-color: black; margin-right: 5px;"></span> RAL9004 Signal black</li> <li><span style="display: inline-block; width: 15px; height: 15px; background-color: #cccccc; margin-right: 5px;"></span> RAL9006 White aluminium</li> <li><span style="display: inline-block; width: 15px; height: 15px; background-color: #808080; margin-right: 5px;"></span> RAL9007 Grey aluminium</li> <li><span style="display: inline-block; width: 15px; height: 15px; background-color: #333333; margin-right: 5px;"></span> RAL7016 Anthracite grey</li> <li><span style="display: inline-block; width: 15px; height: 15px; background-color: #e0e0e0; margin-right: 5px;"></span> RAL9016 Traffic white</li> </ul> |
| Gasket               | Silicone rubber gasket  |
| Fasteners            | PCS Polymer Coated Stainless Steel Hardware   |
| Ingress protection   | IP66  |
| Impact resistance    | IK07  |
| Corrosion resistance | 5CE   |

### Electrical description

|                  |   |
|------------------|---|
| Power supply     | 220-240V / 50-60 Hz   |
| Driver / Ballast | Standard. Optional DALI version available. To be specified at time of ordering. |
| Surge protection | 6/6 kV  |

### Additional information

|                         |                        |
|-------------------------|------------------------|
| Lifetime                | Ta=25° L90B10 > 90000h |
| Energy efficiency class | C-D (Light source)     |

#### WE-EF LEUCHTEN GmbH

Töpinger Straße 16, 29646 Bispingen, Germany - Phone: +49 5194 909-0  
 info@we-ef.com - <https://we-ef.com>

Subject to technical changes and errors. - Generated on 23/11/2024

**134-1254**

**DOC240-GB LED**

**we-ef**

## **Control**

### **DALI interface**

---

| Description    | Part ID  | C  |
|----------------|----------|----|
| DALI interface | 430-0013 | 90 |

---

**WE-EF LEUCHTEN GmbH**

Töpinger Straße 16, 29646 Bispingen, Germany - Phone: +49 5194 909-0  
info@we-ef.com - <https://we-ef.com>

Subject to technical changes and errors. - Generated on 23/11/2024

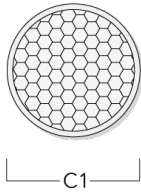
**Optical Accessories**

**Honeycomb louvre**

---

| Description          | Part ID  | C1 |
|----------------------|----------|----|
| IW-DAC/DOC240-GB LED | 134-1449 | 98 |

---



---

**Linear spread lens**

---

| Description              | Part ID  | C1 |
|--------------------------|----------|----|
| IO-180-DAC/DOC240-GB LED | 185-2632 | 98 |

---

