



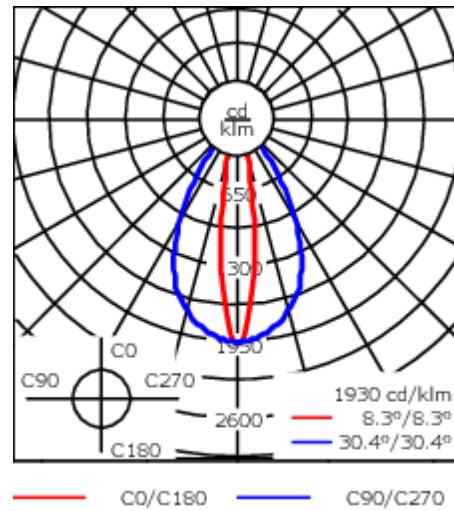
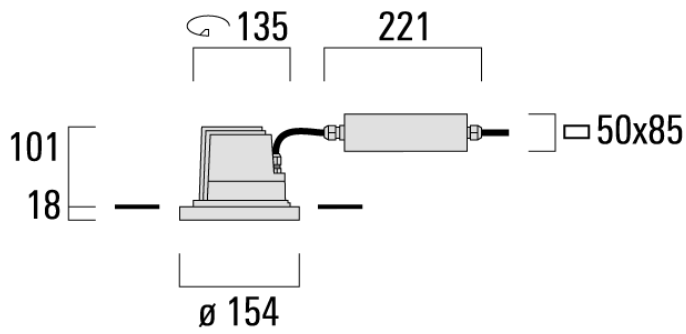
### Description

IP66, Class I. IK07. Marine-grade, die-cast aluminium alloy. 5CE superior corrosion protection + primer including PCS hardware. Silicone rubber gasket. Safety glass lens, hinged. Frame with safety catch. Two cable entries. Integral EC electronic converter in thermally separated compartment. CAD-optimised optics for superior illumination and glare control. OLC\_R\_ One LED Concept. Factory installed LED circuit board.

A pre-installation blockout, proud or flush, is available and recommended for mounting in concrete ceilings. To be ordered separately.

2700 K option available on request. Optional 2200 K version available. To be specified at time of ordering.

|                           |                                      |
|---------------------------|--------------------------------------|
| Weight                    | 2.10 kg                              |
| Light distribution        | linear spread, very narrow beam [EE] |
| Light source              | LED-12/24W / 700 mA - 4000 K         |
| CRI                       | 80                                   |
| Power supply              | EC                                   |
| LEDs                      | 12                                   |
| Rated input power         | 27 W                                 |
| <b>Nominal Lumen (lm)</b> |                                      |
| LED Lumen                 | 310                                  |
| Total Lumen               | 3720                                 |
| Tj                        | 85                                   |
| <b>Rated lumens (lm)</b>  |                                      |
| LED Lumen                 | 244.5                                |
| Total Lumen               | 2933.4                               |
| Ta                        | 25                                   |



## Specifications

### Material description

|                      |  |
|----------------------|--|
| Body                 | Marine-grade, die-cast aluminium alloy   |
| Lens                 | Safety glass lens, hinged  |
| Colours              | <div style="display: flex; align-items: center;"> <div style="width: 20px; height: 15px; background-color: black; margin-right: 5px;"></div> <span>RAL9004 Signal black</span> </div> <div style="display: flex; align-items: center; margin-top: 5px;"> <div style="width: 20px; height: 15px; background-color: #cccccc; margin-right: 5px;"></div> <span>RAL9006 White aluminium</span> </div> <div style="display: flex; align-items: center; margin-top: 5px;"> <div style="width: 20px; height: 15px; background-color: #808080; margin-right: 5px;"></div> <span>RAL9007 Grey aluminium</span> </div> <div style="display: flex; align-items: center; margin-top: 5px;"> <div style="width: 20px; height: 15px; background-color: #e0e0e0; margin-right: 5px;"></div> <span>RAL9016 Traffic white</span> </div> |
| Gasket               | Silicone rubber gasket   |
| Fasteners            | PCS Polymer Coated Stainless Steel Hardware (unpainted)  |
| Ingress protection   | IP66   |
| Impact resistance    | IK07   |
| Corrosion resistance | 5CE+Primer   |

**134-1336+134-1381**

**we-ef**

**DOC220 LED**

**Electrical description**

---

|                  |   |
|------------------|---|
| Power supply     | 230V / 50 Hz  |
| Driver / Ballast | Integral EC electronic converter in thermally-separated compartment |

---

**Additional information**

---

|          |  |
|----------|--|
| Lifetime | Ta=40° L90B10 > 90000h   |
| Warranty | The product is supplied with 10-year warranty. Please refer to the LED Warranty Statement located on <a href="http://www.we-ef.com">www.we-ef.com</a> for further details. |

---

**WE-EF LIGHTING Pty Ltd**

47 Tarnard Drive, 3195 Braeside, Victoria - Phone: +61 3 8587 0444 - Fax: +61 3 8587 0499

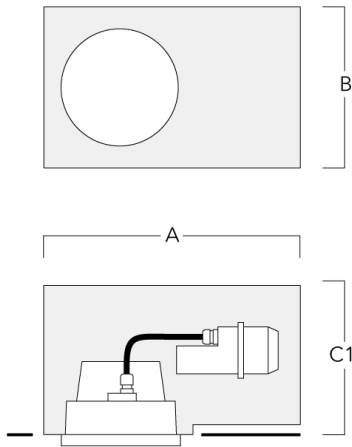
info.australia@we-ef.com - <https://we-ef.com/aus>

Subject to technical changes and errors. - Generated on 19/04/2025

**Mounting Accessories**

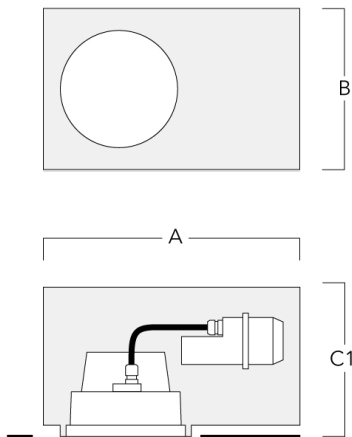
**Installation blackout, proud**

| Description                   | Part ID  | A   | B   | C1  | C   |
|-------------------------------|----------|-----|-----|-----|-----|
| Installation blackout BDO22-I | 134-0797 | 383 | 200 | 209 | 195 |



**Installation blackout, flush**

| Description                    | Part ID  | A   | B   | C1  | C   |
|--------------------------------|----------|-----|-----|-----|-----|
| Installation blackout BDO22-II | 134-1161 | 383 | 200 | 227 | 195 |



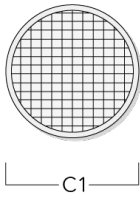
**Optical Accessories**

**Surface wash lens**

---

| Description           | Part ID  | C1  |
|-----------------------|----------|-----|
| IO-360-DAC/DOC220-LED | 134-1440 | 105 |

---



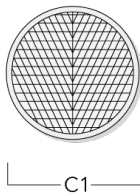
---

**Wallwash lens**

---

| Description             | Part ID  | C1  |
|-------------------------|----------|-----|
| IO-20-WW-DAC/DOC220-LED | 134-1491 | 105 |

---



**134-1336+134-1381**

**we-ef**

**DOC220 LED**

**Linear spread lens**

---

| Description           | Part ID  | C1  |
|-----------------------|----------|-----|
| IO-180-DAC/DOC220-LED | 134-1381 | 105 |

---



**WE-EF LIGHTING Pty Ltd**

47 Tarnard Drive, 3195 Braeside, Victoria - Phone: +61 3 8587 0444 - Fax: +61 3 8587 0499

info.australia@we-ef.com - <https://we-ef.com/aus>

Subject to technical changes and errors. - Generated on 19/04/2025

**134-1336+134-1381**

**DOC220 LED**

**we-ef**

## **Control**

### **DALI interface**

---

| Description    | Part ID  | C  |
|----------------|----------|----|
| DALI interface | 430-0013 | 90 |

---

**WE-EF LIGHTING Pty Ltd**

47 Tarnard Drive, 3195 Braeside, Victoria - Phone: +61 3 8587 0444 - Fax: +61 3 8587 0499

info.australia@we-ef.com - <https://we-ef.com/aus>

Subject to technical changes and errors. - Generated on 19/04/2025