

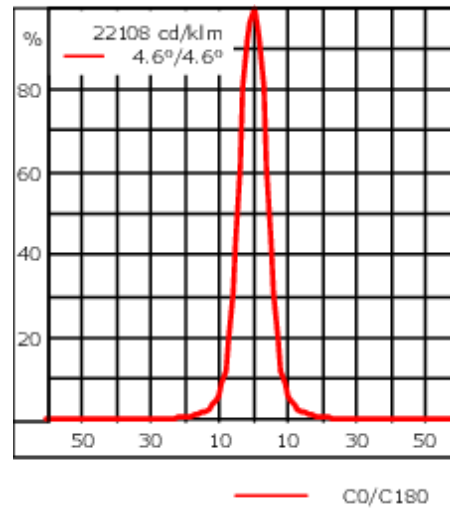
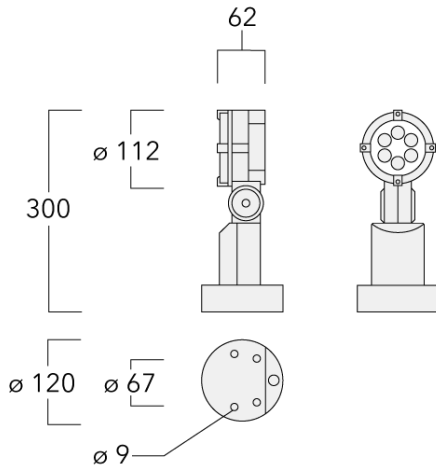


### Description

IP66, Class I. Class II on request. IK07. Marine-grade, die-cast aluminium alloy. 5CE superior corrosion protection including PCS hardware. Silicone CCG® Controlled Compression Gasket. Safety glass lens. Integral EC electronic converter in thermally separated compartment. CAD-optimised optics for superior illumination and glare control. OLC® One LED Concept. Factory installed LED circuit board. The luminaire is factory- sealed and does not need to be opened during the installation.

Optional 2200 K version available. To be specified at time of ordering.

|                           |  |
|---------------------------|--|
| Weight                    | 1.70 kg  |
| Light distribution        | symmetric, very narrow beam, sharp cut-off [EES] |
| Light source              | LED-6/12W / 700 mA - 4000 K                      |
| CRI                       | 80   |
| Power supply              | EC   |
| LEDs                      | 6  |
| Rated input power         | 14.5 W   |
| <b>Nominal Lumen (lm)</b> |  |
| LED Lumen                 | 310  |
| Total Lumen               | 1860   |
| Tj                        | 85   |
| <b>Rated lumens (lm)</b>  |  |
| LED Lumen                 | 287  |
| Total Lumen               | 1721.8   |
| Ta                        | 25   |



## Specifications

### Material description

|                      |  |
|----------------------|--|
| Body                 | Marine-grade, die-cast aluminium alloy   |
| Lens                 | Safety glass lens  |
| Colours              | <div style="display: flex; align-items: center; margin-bottom: 5px;"> <div style="width: 20px; height: 15px; background-color: black; margin-right: 5px;"></div> <span>RAL9004 Signal black</span> </div> <div style="display: flex; align-items: center; margin-bottom: 5px;"> <div style="width: 20px; height: 15px; background-color: #cccccc; margin-right: 5px;"></div> <span>RAL9006 White aluminium</span> </div> <div style="display: flex; align-items: center; margin-bottom: 5px;"> <div style="width: 20px; height: 15px; background-color: #808080; margin-right: 5px;"></div> <span>RAL9007 Grey aluminium</span> </div> <div style="display: flex; align-items: center; margin-bottom: 5px;"> <div style="width: 20px; height: 15px; background-color: #333333; margin-right: 5px;"></div> <span>RAL7016 Anthracite grey</span> </div> <div style="display: flex; align-items: center;"> <div style="width: 20px; height: 15px; background-color: #e0e0e0; margin-right: 5px;"></div> <span>RAL9016 Traffic white</span> </div> |
| Gasket               | Silicone CCG® Controlled Compression Gasket  |
| Fasteners            | PCS Polymer Coated Stainless Steel Hardware  |
| Ingress protection   | IP66   |
| Impact resistance    | IK07   |
| Corrosion resistance | 5CE  |
| Windage              | 0.025 m <sup>2</sup>   |

**145-0035**

**FLC121 LED**

**we-ef**

### **Electrical description**

---

|                  |   |
|------------------|---|
| Power supply     | 220-240V / 50-60 Hz   |
| Driver / Ballast | Integral EC electronic converter in thermally-separated compartment |
| Surge protection | 1/2 kV  |

---

### **Additional information**

---

|                         |                        |
|-------------------------|------------------------|
| Lifetime                | Ta=25° L90B10 > 90000h |
| Energy efficiency class | C-D (Light source)     |

---

145-0035

FLC121 LED

**we-ef**

## Optical Accessories

### Snoot

| Description | Part ID  | A  | C1  |
|-------------|----------|----|-----|
| Snoot ET    | 145-0030 | 60 | 120 |



### Linear spread lens

| Description       | Part ID  | C1 |
|-------------------|----------|----|
| IO-180-FLC121-LED | 145-0050 | 81 |



#### Fagerhult Lighting Ltd

33-34 Dolben Street, SE1 0UQ London, United Kingdom

<https://we-ef.com/uk>

Subject to technical changes and errors. - Generated on 23/11/2024

145-0035

FLC121 LED

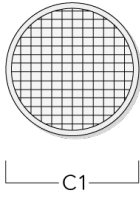
**we-ef**

**Flood lens**

---

| Description       | Part ID  | C1 |
|-------------------|----------|----|
| IO-360-FLC121-LED | 145-0142 | 81 |

---



---

**Honeycomb louvre**

---

| Description               | Part ID  | C1 |
|---------------------------|----------|----|
| IW-FLC121-LED - [EE][EES] | 145-0143 | 81 |

---



145-0035

FLC121 LED

**we-ef**

### Wallwash lens

| Description         | Part ID  | C1 |
|---------------------|----------|----|
| IO-20-WW-FLC121-LED | 145-0145 | 81 |



### Glare shield

| Description     | Part ID  | A   | C1  |
|-----------------|----------|-----|-----|
| Glare shield ES | 145-9192 | 102 | 119 |



**Fagerhult Lighting Ltd**

33-34 Dolben Street, SE1 0UQ London, United Kingdom

<https://we-ef.com/uk>

Subject to technical changes and errors. - Generated on 23/11/2024

## Mounting Accessories

### Pipe clamp SP

| Description                           | Part ID  | D1    | Weight (kg) | D     |
|---------------------------------------|----------|-------|-------------|-------|
| SP1-2/M8 Pole clamp, single (Ø 76-89) | 146-0246 | 76-89 | 1.20        | 76-89 |



|                                       |          |       |   |       |
|---------------------------------------|----------|-------|---|-------|
| SP2-2/M8 Pole clamp, double (Ø 38-60) | 146-0247 | 38-60 | 1 | 38-66 |
|---------------------------------------|----------|-------|---|-------|



145-0035

FLC121 LED

**we-ef**

---

| Description                           | Part ID  | D1    | Weight (kg) | D     |
|---------------------------------------|----------|-------|-------------|-------|
| SP2-2/M8 Pole clamp, double (Ø 76-89) | 146-0248 | 76-89 | 1.20        | 76-89 |

---



---

|                                       |          |       |   |       |
|---------------------------------------|----------|-------|---|-------|
| SP1-2/M8 Pole clamp, single (Ø 38-60) | 146-0245 | 38-60 | 1 | 38-66 |
|---------------------------------------|----------|-------|---|-------|

---



**Fagerhult Lighting Ltd**

33-34 Dolben Street, SE1 0UQ London, United Kingdom

<https://we-ef.com/uk>

Subject to technical changes and errors. - Generated on 23/11/2024



145-0035

FLC121 LED

**we-ef**

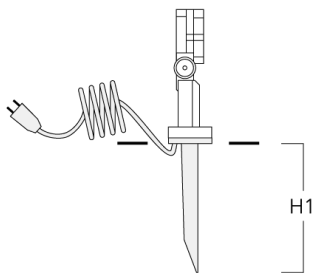
**Short post EM**

| Description | Part ID  | D1  | D2  | H1  | M1 | Weight (kg) |
|-------------|----------|-----|-----|-----|----|-------------|
| EM1-2/M8    | 146-0253 | 160 | 130 | 200 | 9  | 1.10        |



**Ground spike EF**

| Description           | Part ID  | H1  | Weight (kg) |
|-----------------------|----------|-----|-------------|
| Ground spike EF1-2/M8 | 146-0251 | 270 | 0.40        |



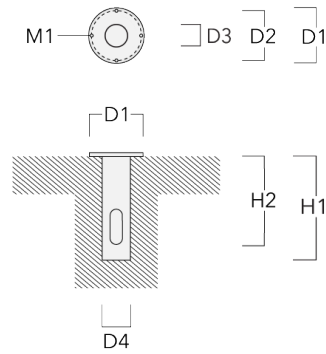
145-0035

FLC121 LED

**we-ef**

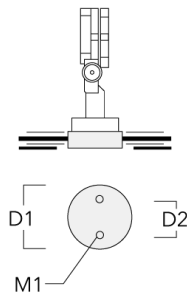
**Planted root**

| Description       | Part ID  | D1  | D2  | D3  | D4  | H1  | H2  | M1 | Weight(kg) |
|-------------------|----------|-----|-----|-----|-----|-----|-----|----|------------|
| Planted root ESV4 | 300-0461 | 145 | 130 | 102 | 108 | 400 | 350 | 8  | 7.85       |



**Junction box JB1**

| Description      | Part ID  | D1  | D2 | M1 | Weight(kg) |
|------------------|----------|-----|----|----|------------|
| JB1 Junction box | 310-9000 | 135 | 67 | 9  | 1.6        |



**Fagerhult Lighting Ltd**

33-34 Dolben Street, SE1 0UQ London, United Kingdom

<https://we-ef.com/uk>

Subject to technical changes and errors. - Generated on 23/11/2024