

145-0092+145-0050

we-ef

FLC121 LED RAIL66



Description

IP66. Class I. IK07. Marine-grade, die-cast aluminum alloy. 5CE superior corrosion protection including PCS hardware. Silicone CCG® Controlled Compression Gasket. Safety glass lens. Includes 1 ft of flexible cable enclosed in a stainless conduit, in-line connector and mounting clamp for installation to RAIL66 mounting system. CAD-optimized optics for superior illumination and glare control. Integral driver in thermally separated compartment. OLC® One LED Concept. Factory-installed LED circuit board. 0-10V Dimming comes standard with luminaire.

Knuckle permits 350° horizontal and 90° vertical aiming of optics.

Specify product with 7 Digit product code - Finish Color. Accessories, such as mounting, optical, and electrical, must be specified separately.

Example: XXX-XXXX-9004 (Black)

+ XXX-XXXX (Accessory 1)

| | |
|--------------------|--------------------------------------|
| Weight | 5.50 lb |
| Light distribution | linear spread, very narrow beam [VN] |
| Light source | LED-6/12W / 700 mA - 4000 K |
| CRI | 80 |
| Power supply | electronic gear |
| LEDs | 6 |
| Rated input power | 14.5 W |

Nominal Lumen (lm)

| | |
|-------------|------|
| LED Lumen | 310 |
| Total Lumen | 1860 |
| Tj | 85 |

Rated lumens (lm)

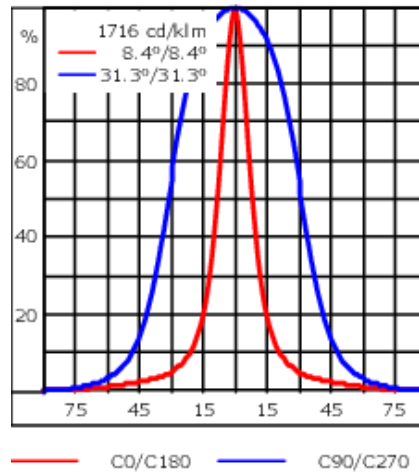
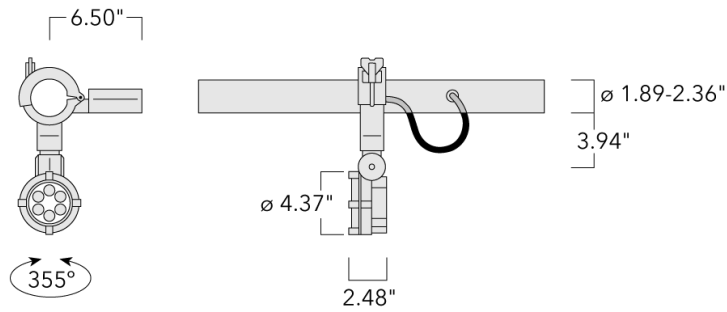
| | |
|-------------|--------|
| LED Lumen | 247 |
| Total Lumen | 1481.9 |
| Ta | 25 |

WE-EF LIGHTING USA, LLC

410-D Keystone Drive, 15086 Warrendale, PA 15086 - Phone: +1 724 742 0030

customersupport.usa@we-ef.com - <https://we-ef.com/us>

Subject to technical changes and errors. - Generated on 11/23/2024



Specifications

Material description

| | |
|----------------------|---|
| Body | Marine-grade die-cast aluminium alloy |
| Lens | Clear tempered glass lens |
| Colors | <div style="display: flex; flex-direction: column; gap: 5px;"> <div style="display: flex; align-items: center;"> <div style="width: 20px; height: 10px; background-color: black; margin-right: 5px;"></div> RAL9004 Black </div> <div style="display: flex; align-items: center;"> <div style="width: 20px; height: 10px; background-color: grey; margin-right: 5px;"></div> RAL9007 Grey Metallic </div> <div style="display: flex; align-items: center;"> <div style="width: 20px; height: 10px; background-color: white; margin-right: 5px;"></div> RAL9016 White </div> <div style="display: flex; align-items: center;"> <div style="width: 20px; height: 10px; background-color: darkgrey; margin-right: 5px;"></div> RAL8019 Dark Bronze </div> </div> |
| Gasket | Silicone rubber gasket |
| Fasteners | PCS Polymer Coated Stainless Steel hardware |
| Ingress protection | IP66 |
| Impact resistance | IK07 |
| Corrosion resistance | 5CE |

Electrical description

| | |
|------------------|---|
| Power supply | Integral [ECG] electronic driver 120V-277V. 0-10V dimmable, to be specified with order. |
| Driver / Ballast | Integral EC electronic converter in thermally-separated compartment |

WE-EF LIGHTING USA, LLC

410-D Keystone Drive, 15086 Warrendale, PA 15086 - Phone: +1 724 742 0030

customersupport.usa@we-ef.com - <https://we-ef.com/us>

Subject to technical changes and errors. - Generated on 11/23/2024

145-0092+145-0050

we-ef

FLC121 LED RAIL66

Additional information

| | |
|----------|---|
| Lifetime | Ta=25°/40° L90B10 > 90000h |
| Listings | ETL listed. Suitable for wet locations. |

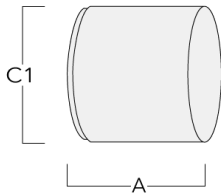
WE-EF LIGHTING USA, LLC

410-D Keystone Drive, 15086 Warrendale, PA 15086 - Phone: +1 724 742 0030
customersupport.usa@we-ef.com - <https://we-ef.com/us>
Subject to technical changes and errors. - Generated on 11/23/2024

Optical Accessories

Snoot

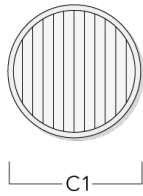
| Description | Part ID | A | C1 |
|-------------|----------|-------|-------|
| Snoot ET | 145-0030 | 2.36" | 4.72" |



FLC121 LED RAIL66

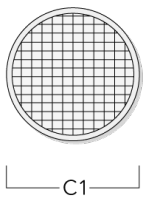
Linear spread lens

| Description | Part ID | C1 |
|-------------------|----------|-------|
| IO-180-FLC121-LED | 145-0050 | 3.19" |



Softening Lens

| Description | Part ID | C1 |
|-------------------|----------|------|
| IO-360-FLC121-LED | 145-0142 | 3.20 |



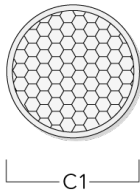
WE-EF LIGHTING USA, LLC

410-D Keystone Drive, 15086 Warrendale, PA 15086 - Phone: +1 724 742 0030
customersupport.usa@we-ef.com - <https://we-ef.com/us>
Subject to technical changes and errors. - Generated on 11/23/2024

FLC121 LED RAIL66

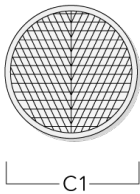
Honeycomb louvre

| Description | Part ID | C1 |
|---------------|----------|------|
| IW-FLC121-LED | 145-0143 | 3.20 |



Wallwash lens

| Description | Part ID | C1 |
|---------------------|----------|-------|
| IO-20-WW-FLC121-LED | 145-0145 | 3.19" |

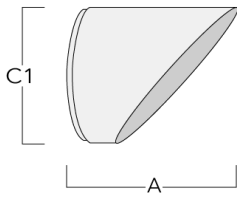


WE-EF LIGHTING USA, LLC

410-D Keystone Drive, 15086 Warrendale, PA 15086 - Phone: +1 724 742 0030
customersupport.usa@we-ef.com - <https://we-ef.com/us>
Subject to technical changes and errors. - Generated on 11/23/2024

Glare shield

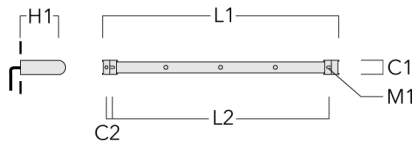
| Description | Part ID | A | C1 |
|-----------------|----------|------|------|
| Glare shield ES | 145-9192 | 4.02 | 4.69 |



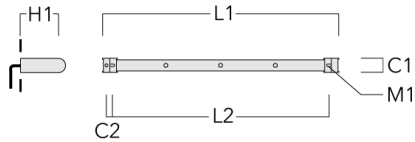
Mounting Accessories

Universal

| Description | Part ID | C1 | C2 | H1 | M1 | Weight (lb) | L1 | L2 |
|---------------------------|----------|------|------|------|-----|-------------|-------|-------|
| 2 Mains outlets (L=45.28) | 310-9200 | 3.00 | 1.20 | 7.90 | 0.5 | 13.00 | 45.28 | 41.14 |

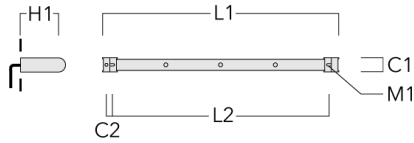


| | | | | | | | | |
|---------------------------|----------|------|------|------|-----|-------|-------|-------|
| 3 Mains outlets (L=45.28) | 310-9202 | 3.00 | 1.20 | 7.90 | 0.5 | 13.00 | 45.28 | 41.14 |
|---------------------------|----------|------|------|------|-----|-------|-------|-------|

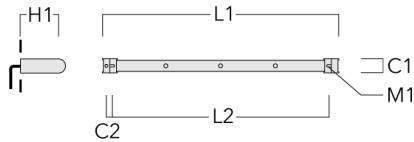


FLC121 LED RAIL66

| Description | Part ID | C1 | C2 | H1 | M1 | Weight (lb) | L1 | L2 |
|---------------------------|----------|------|------|------|-----|-------------|-------|-------|
| 3 Mains outlets (L=64.69) | 310-9210 | 3.00 | 1.18 | 7.90 | 0.5 | 15.90 | 64.69 | 60.83 |



| | | | | | | | | |
|---------------------------|----------|------|------|------|---|-----------|-------|-------|
| 4 Mains outlets (L=64.69) | 310-9212 | 3.00 | 1.18 | 7.90 | 5 | 13.00 lbs | 64.69 | 60.83 |
|---------------------------|----------|------|------|------|---|-----------|-------|-------|



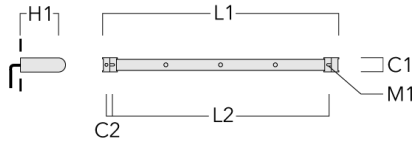
WE-EF LIGHTING USA, LLC

410-D Keystone Drive, 15086 Warrendale, PA 15086 - Phone: +1 724 742 0030
 customersupport.usa@we-ef.com - <https://we-ef.com/us>

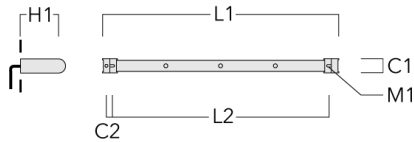
Subject to technical changes and errors. - Generated on 11/23/2024

FLC121 LED RAIL66

| Description | Part ID | C1 | C2 | H1 | M1 | Weight (lb) | L1 | L2 |
|---------------------------|----------|------|------|------|-----|-------------|-------|-------|
| 4 Mains outlets (L=84.65) | 310-9220 | 3.00 | 1.18 | 7.90 | 0.5 | 18.76 | 84.65 | 80.51 |



| | | | | | | | | |
|---------------------------|----------|------|------|------|-----|-------|-------|-------|
| 6 Mains outlets (L=84.65) | 310-9222 | 3.00 | 1.18 | 7.90 | 0.5 | 18.76 | 84.65 | 80.51 |
|---------------------------|----------|------|------|------|-----|-------|-------|-------|



WE-EF LIGHTING USA, LLC

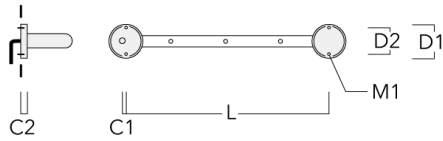
410-D Keystone Drive, 15086 Warrendale, PA 15086 - Phone: +1 724 742 0030
 customersupport.usa@we-ef.com - <https://we-ef.com/us>

Subject to technical changes and errors. - Generated on 11/23/2024

FLC121 LED RAIL66

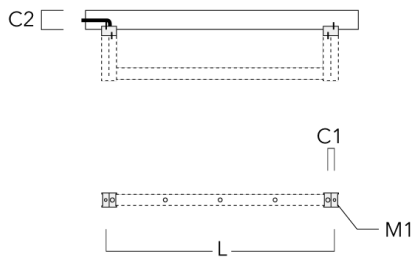
Flat Surface Fitters

| Description | Part ID | C1 | C2 | D1 | D2 | L | M1 | Weight (lb) |
|------------------------|----------|------|------|-----|-----|------|-----|-------------|
| Surface fitters (pair) | 310-9290 | 0.79 | 1.18 | 7.1 | 5.5 | 42.1 | .35 | 3.70 |



Column Fitters

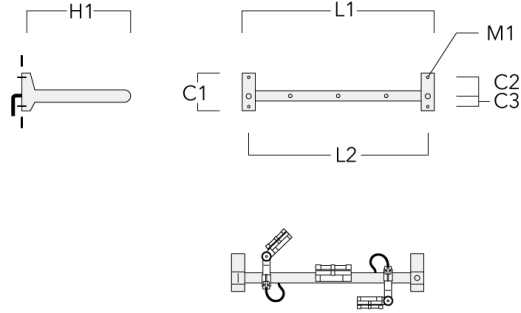
| Description | Part ID | C1 | C2 | L | M1 | Weight (lb) |
|-----------------------|----------|------|------|------|----|-------------|
| Column Fitters (pair) | 310-9294 | 1.20 | 4.00 | 43.9 | .5 | 2.00 |



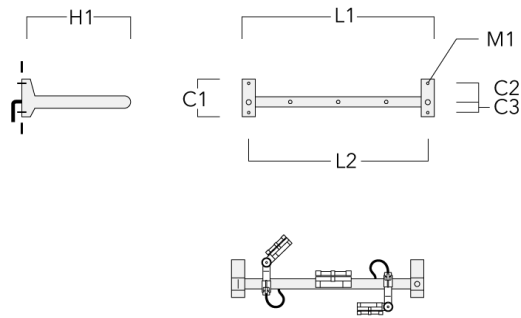
FLC121 LED RAIL66

Cantilever

| Description | Part ID | C1 | C2 | C3 | H1 | M1 | Weight (lb) | L1 | L2 |
|---------------------------|----------|------|------|------|-------|------|-------------|-------|-------|
| 2 Mains outlets (L=45.28) | 310-9230 | 8.66 | 4.72 | 2.36 | 23.62 | 0.51 | 26.46 | 45.28 | 42.13 |



| | | | | | | | | | |
|---------------------------|----------|------|------|------|-------|------|-------|-------|-------|
| 3 Mains outlets (L=45.28) | 310-9232 | 8.66 | 4.72 | 2.36 | 23.62 | 0.51 | 26.46 | 45.28 | 42.13 |
|---------------------------|----------|------|------|------|-------|------|-------|-------|-------|



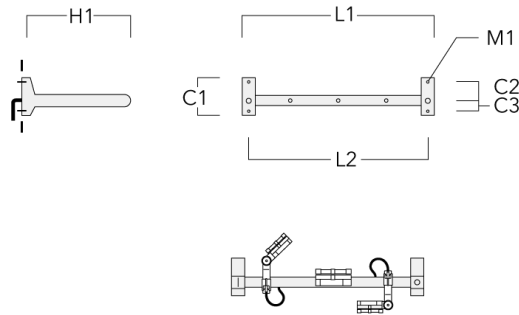
WE-EF LIGHTING USA, LLC

410-D Keystone Drive, 15086 Warrendale, PA 15086 - Phone: +1 724 742 0030
 customersupport.usa@we-ef.com - <https://we-ef.com/us>

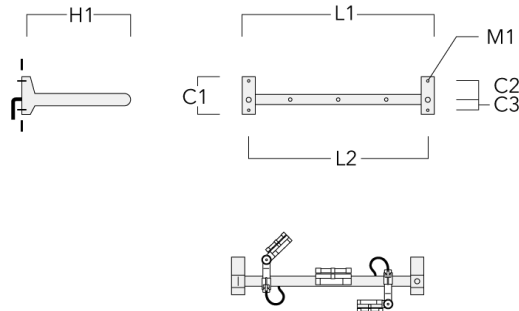
Subject to technical changes and errors. - Generated on 11/23/2024

FLC121 LED RAIL66

| Description | Part ID | C1 | C2 | C3 | H1 | M1 | Weight (lb) | L1 | L2 |
|---------------------------|----------|------|------|------|-------|------|-------------|-------|-------|
| 3 Mains outlets (L=64.69) | 310-9240 | 8.66 | 4.72 | 2.36 | 23.62 | 0.51 | 29.32 | 64.96 | 61.81 |



| | | | | | | | | | |
|---------------------------|----------|------|------|------|-------|------|-------|-------|-------|
| 4 Mains outlets (L=64.69) | 310-9242 | 8.66 | 4.72 | 2.36 | 23.62 | 0.51 | 29.32 | 64.96 | 61.81 |
|---------------------------|----------|------|------|------|-------|------|-------|-------|-------|

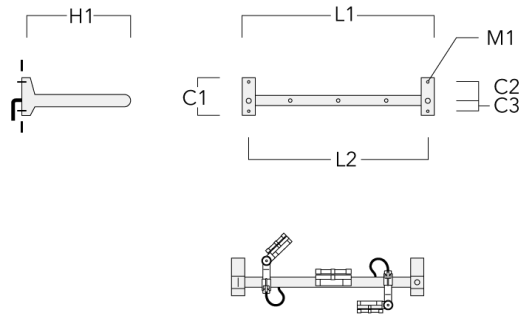


WE-EF LIGHTING USA, LLC

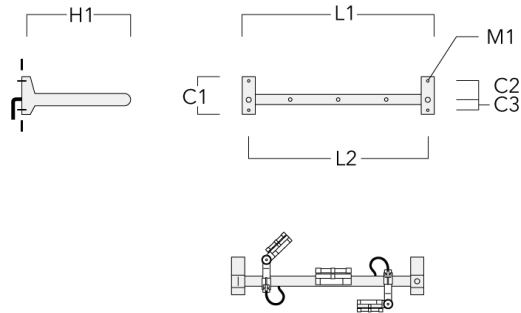
410-D Keystone Drive, 15086 Warrendale, PA 15086 - Phone: +1 724 742 0030
 customersupport.usa@we-ef.com - <https://we-ef.com/us>
 Subject to technical changes and errors. - Generated on 11/23/2024

FLC121 LED RAIL66

| Description | Part ID | C1 | C2 | C3 | H1 | M1 | Weight (lb) | L1 | L2 |
|---------------------------|----------|------|------|------|-------|------|-------------|-------|-------|
| 4 Mains outlets (L=84.65) | 310-9250 | 8.66 | 4.72 | 2.36 | 23.62 | 0.51 | 32.19 | 84.65 | 81.49 |



| | | | | | | | | | |
|---------------------------|----------|------|------|------|-------|------|-------|-------|------|
| 6 Mains outlets (L=84.65) | 310-9252 | 8.66 | 4.72 | 2.36 | 23.62 | 0.51 | 32.19 | 84.65 | 81.5 |
|---------------------------|----------|------|------|------|-------|------|-------|-------|------|



WE-EF LIGHTING USA, LLC

410-D Keystone Drive, 15086 Warrendale, PA 15086 - Phone: +1 724 742 0030
 customersupport.usa@we-ef.com - <https://we-ef.com/us>
 Subject to technical changes and errors. - Generated on 11/23/2024