

108-0960

PFL540 LED

we-ef



Description

IP66. Class I. IK08. Marine-grade, die-cast aluminum alloy. 5CE superior corrosion protection including PCS hardware. Silicone CCG® Controlled Compression Gasket. RFC® Reflection Free Contour main lens. CAD-optimized optics for superior illumination and glare control. Integral driver in thermally separated compartment. OLC® One LED Concept. Factory-installed LED circuit board. 0-10V Dimming comes standard with luminaire. The luminaire is factory-sealed, factory-wired and supplied with 33' of black, three conductor, flexible SEOW cord for power connection at pole-base hand hole.

Recommended mounting height 12-40 ft, depending on lamp type selected.

Specify product with 7 Digit product code - Finish Color. Accessories, such as mounting, optical, and electrical, must be specified separately.

Example: XXX-XXXX-9004 (Black)
+ XXX-XXXX (Accessory 1)

| | |
|--------------------|--------------------------------|
| Weight | 33.07 lb |
| Light distribution | [R65] Type IV Medium |
| Light source | LED-48/144W / 1050 mA - 4000 K |
| CRI | 80 |
| Power supply | electronic gear |
| BUG | B3 U0 G3 |
| LEDs | 48 |
| Rated input power | 159 W |

Nominal Lumen (lm)

| | |
|-------------|-------|
| LED Lumen | 450 |
| Total Lumen | 21600 |
| Tj | 85 |

Rated lumens (lm)

| | |
|-------------|-------|
| LED Lumen | 379.4 |
| Total Lumen | 18209 |
| Ta | 25 |

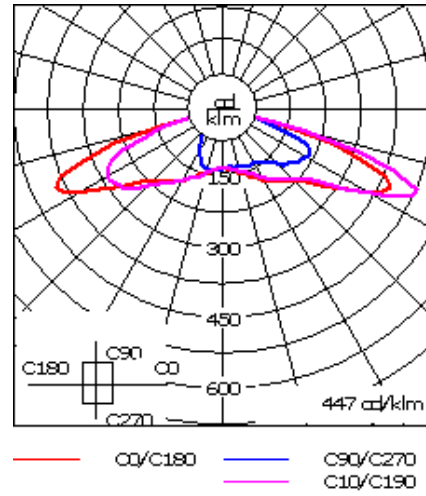
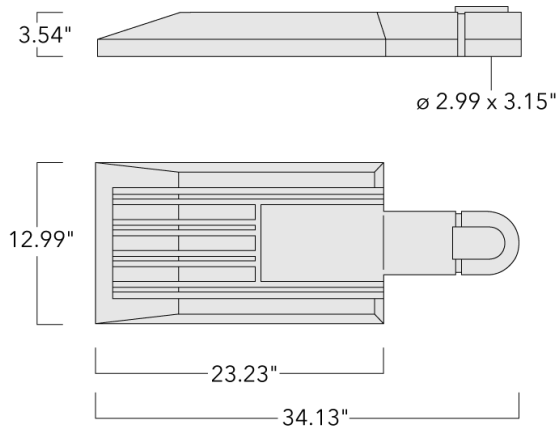
WE-EF LIGHTING USA, LLC

410-D Keystone Drive, 15086 Warrendale, PA 15086 - Phone: +1 724 742 0030
customersupport.usa@we-ef.com - <https://we-ef.com/us>
Subject to technical changes and errors. - Generated on 11/23/2024

108-0960

PFL540 LED

we-ef



Specifications

Material description

| | |
|----------------------|---|
| Body | Marine-grade die-cast aluminium alloy |
| Lens | PMMA RFC Reflection Contour Lens technology |
| Colors | <div style="display: flex; flex-direction: column; gap: 5px;"> <div> RAL9004 Black</div> <div> RAL9007 Grey Metallic</div> <div> RAL9016 White</div> <div> RAL8019 Dark Bronze</div> </div> |
| Gasket | Silicone rubber gasket |
| Fasteners | PCS Polymer Coated Stainless Steel hardware |
| Ingress protection | IP66 |
| Impact resistance | IK08 |
| Corrosion resistance | 5CE |
| Windage | 0.5 |

WE-EF LIGHTING USA, LLC

410-D Keystone Drive, 15086 Warrendale, PA 15086 - Phone: +1 724 742 0030

customersupport.usa@we-ef.com - <https://we-ef.com/us>

Subject to technical changes and errors. - Generated on 11/23/2024

108-0960

PFL540 LED

we-ef

Electrical description

| | |
|------------------|---|
| Power supply | Integral [ECG] electronic driver 120V-277V. 0-10V dimmable, to be specified with order. |
| Driver / Ballast | Integral EC electronic converter |
| Power factor | > 0.9 |
| Surge protection | In-line bracket 10kV Surge Protector |

Additional information

| | |
|------------|---|
| Lifetime | Ta=25°/40° L90B10 > 90000h |
| BUG Rating | Please see individual Spec Sheets for classification of Backlight, Uplight and Glare. |
| Listings | ETL, UL-1598, CSA-C22.2#250.0. Suitable for Wet Locations. |

WE-EF LIGHTING USA, LLC

410-D Keystone Drive, 15086 Warrendale, PA 15086 - Phone: +1 724 742 0030

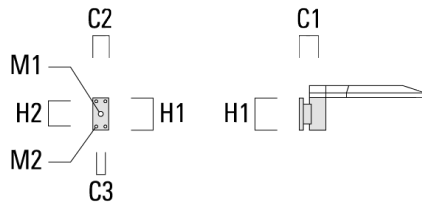
customersupport.usa@we-ef.com - <https://we-ef.com/us>

Subject to technical changes and errors. - Generated on 11/23/2024

Mounting Accessories

Wall and pole brackets RV

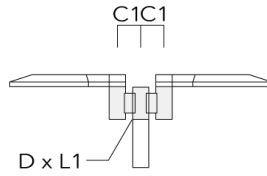
| Description | Part ID | Additional information | C1 | C2 | C3 | D1 | D × L1 | H1 | H2 | L | M1 | M2 | Weight (lb) | C | D | H |
|------------------|----------|------------------------|----|-------|-------|-------|--------|-------|------|---|------|-------|-------------|-----|---|---|
| RVO Wall bracket | 108-0979 | RVO Wall bracket | | 4.25" | 3.94" | 2.36" | | 7.87" | 6.3" | | 1.5" | 0.47" | 4.41 | 108 | | |



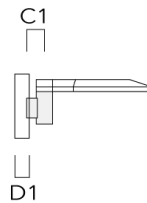
108-0960

PFL540 LED

| Description | Part ID | Additional information | C1 | C2 | C3 | D1 | D × L1 | H1 | H2 | L | M1 | M2 | Weight (lb) | C | D | H |
|-----------------------------|----------|------------------------|----|----|----|----|--------|----|----|------|----|----|-------------|-----|----|-----|
| RV2-76 Pole bracket, double | 108-0980 | 5.79 | | | | | 3 x 4 | | | 2.99 | | | 10.58 | 147 | 76 | 200 |



| | | | | | | | | | | | | | | | | |
|------------------|----------|-------|--|--|--|--|-----------|--|--|--|--|--|----------|-----|--|-----|
| RV5 Pole bracket | 108-0982 | 4.25" | | | | | 3.0"-9.5" | | | | | | 3.75 lbs | 106 | | 200 |
|------------------|----------|-------|--|--|--|--|-----------|--|--|--|--|--|----------|-----|--|-----|



WE-EF LIGHTING USA, LLC

410-D Keystone Drive, 15086 Warrendale, PA 15086 - Phone: +1 724 742 0030
 customersupport.usa@we-ef.com - <https://we-ef.com/us>
 Subject to technical changes and errors. - Generated on 11/23/2024

108-0960

PFL540 LED

we-ef

Optical Accessories

Light shield

| Description | Part ID | Additional information |
|-------------|----------|---|
| LS180-[A60] | 430-0038 | Light shield LS180 to greatly reduce or eliminate light pollution. PA injection moulded component, black matt. Suitable for asymmetric light distribution [A60]. |
| LS180 | 430-0029 | Glare Shield for backlight spill. Glare Shield factory-installed or available as retrofit kit. Suitable for [S60], [S65], [S70], [R65], [P65] lenses. Must be specified at time of ordering. |

WE-EF LIGHTING USA, LLC

410-D Keystone Drive, 15086 Warrendale, PA 15086 - Phone: +1 724 742 0030

customersupport.usa@we-ef.com - <https://we-ef.com/us>

Subject to technical changes and errors. - Generated on 11/23/2024