



**Description**

IP69K. Class I. IK10+. Stainless steel construction. PCS hardware. ASC Anti Slip ceramic Coating on request. Silicone CCG® Controlled Compression Gasket. Safety glass lens; max load 5.5 tons (11,000 lbs). Luminaire can be driven over at low speed. Factory-sealed termination chamber complete with cable gland and 3 ft of flexible PVC-free, gel-impregnated anti-wicking cable. CAD-optimized optics for superior illumination and glare control. Integral driver. Advanced thermal management protects LEDs while optimizing lumens output. LED module can be easily removed for upgrading.

The concrete-pour installation blockout is supplied as standard with luminaire.

|                              |                              |
|------------------------------|------------------------------|
| Weight                       | 22.00 lb                     |
| Light distribution           | symmetric, wide beam [W]     |
| Light source                 | LED-12/24W / 700 mA - 3000 K |
| CRI                          | 80                           |
| Power supply                 | electronic gear              |
| LEDs                         | 12                           |
| Rated input power            | 27 W                         |
| <b>Nominal Lumen (lm)</b>    |                              |
| LED Lumen                    | 290                          |
| Total Lumen                  | 3480                         |
| Tj                           | 85                           |
| <b>Delivered lumens (lm)</b> |                              |
| LED Lumen                    | 219.2                        |
| Total Lumen                  | 2631                         |
| Ta                           | 25                           |

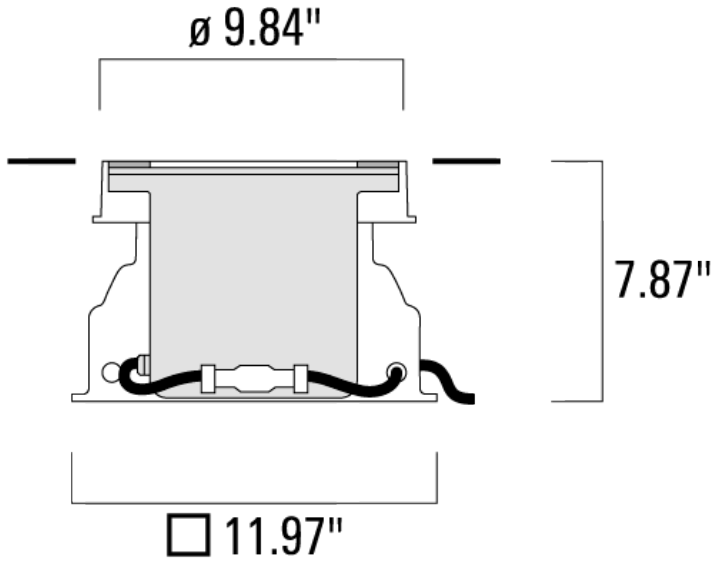
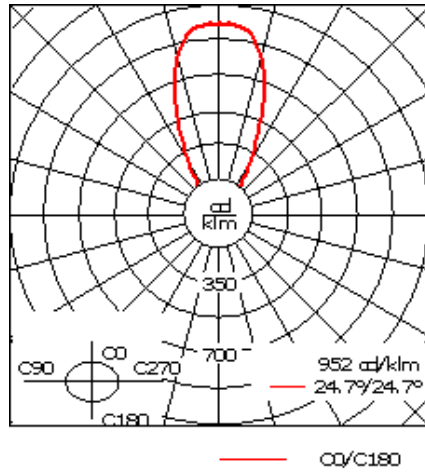
**WE-EF LIGHTING USA, LLC**

410-D Keystone Drive, 15086 Warrendale, PA 15086 - Phone: +1 724 742 0030  
 customersupport.usa@we-ef.com - <https://we-ef.com/us>  
 Subject to technical changes and errors. - Generated on 08/16/2025

185-7693

ETC330-FS LED

**we-ef**




**WE-EF LIGHTING USA, LLC**

410-D Keystone Drive, 15086 Warrendale, PA 15086 - Phone: +1 724 742 0030  
customersupport.usa@we-ef.com - <https://we-ef.com/us>

Subject to technical changes and errors. - Generated on 08/16/2025

**Specifications****Material description**

---

|                      |   |
|----------------------|---|
| Body                 | Luminaire body constructed of deep drawn stainless steel. Outer housing composite material.       |
| Lens                 | Safety glass lens, max. load 5 tonnes   |
| Colors               |  Stainless Steel |
| Fasteners            | PCS polymer coated stainless steel  |
| Ingress protection   | IP69K - HIGHEST PROTECTION RATING AVAILABLE   |
| Impact resistance    | IK10+   |
| Corrosion resistance | 5CE   |

---

**Electrical description**

---

|                  |   |
|------------------|---|
| Power supply     | Integral [ECG] electronic driver 120V-277V. 0-10V dimmable, to be specified with order. |
| Driver / Ballast | Integral [ECG] electronic driver 120V-277V. 0-10V dimmable, to be specified with order. |
| Termination      | Factory sealed termination chamber  |

---

**Additional information**

---

|          |  |
|----------|--|
| Lifetime | LED >60,000 h Ta 25°C (L70/B10) Control gear >50,000 h Ta 25°C |
| Dimming  | 0-10V available in request. Must be factory fitted.            |
| Listings | ETL, UL-1598, CSA-C22.2#250.0. Suitable for Wet Locations.     |

---

**185-7693**

**ETC330-FS LED**

**we-ef**

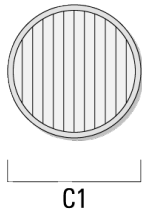
## Optical Accessories

### Linear spread lens

---

| Description               | Part ID  | C1   |
|---------------------------|----------|------|
| Linear spread lens IO-180 | 185-7170 | 7.52 |

---



---

**WE-EF LIGHTING USA, LLC**

410-D Keystone Drive, 15086 Warrendale, PA 15086 - Phone: +1 724 742 0030  
customersupport.usa@we-ef.com - <https://we-ef.com/us>

Subject to technical changes and errors. - Generated on 08/16/2025

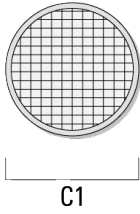
**ETC330-FS LED**

**Softening Lens**

---

| Description       | Part ID  | C1   |
|-------------------|----------|------|
| Flood lens IO-360 | 185-7171 | 6.30 |

---



---

**Linear louvre**

---

| Description      | Part ID  | C1   |
|------------------|----------|------|
| Linear louvre IL | 185-7172 | 7.52 |

---



185-7693

**we-ef**

ETC330-FS LED

**Honeycomb louvre**

---

| Description         | Part ID  | C1   |
|---------------------|----------|------|
| Honeycomb Louvre IW | 185-7180 | 7.53 |

---



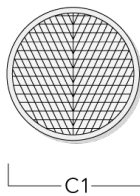
---

**Wallwash lens**

---

| Description                | Part ID  | C1   |
|----------------------------|----------|------|
| IO-20-WW-ETC/EVC_30-FS-LED | 134-1492 | 7.52 |

---



---

**WE-EF LIGHTING USA, LLC**

410-D Keystone Drive, 15086 Warrendale, PA 15086 - Phone: +1 724 742 0030  
customersupport.usa@we-ef.com - <https://we-ef.com/us>  
Subject to technical changes and errors. - Generated on 08/16/2025