

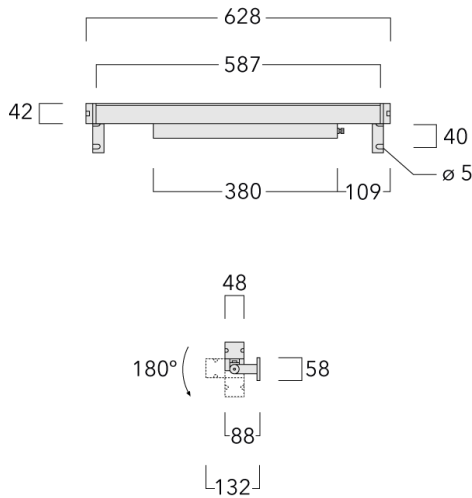


Description

IP66/IP67. IK09. Marine-grade, all-aluminium construction. 5CE superior corrosion protection including PCS hardware. PMMA lens. Silicone rubber gaskets. 1.2 m of flexible PVC-free cable. Luminaire is factory-sealed and does not need to be opened during installation.

Integral EC electronic converter in thermally-separated compartment. Advanced thermal management protects LEDs while optimising lumens output. Removable LED boards for upgrading. DALI interface. Optional 2200 K version available. To be specified at time of ordering.

| | |
|---------------------------|------------------------------------|
| Weight | 2.45 kg |
| Light distribution | symmetric linear, medium beam [LM] |
| Light source | LED-32/20W / 225 mA - 3000 K |
| CRI | 80 |
| Power supply | EC |
| LEDs | 32 |
| Rated input power | 23.5 W |
| Nominal Lumen (lm) | |
| LED Lumen | 90 |
| Total Lumen | 2880 |
| T _j | 85 |
| Rated lumens (lm) | |
| LED Lumen | 66.9 |
| Total Lumen | 2140.4 |
| T _a | 25 |



Specifications

Material description

| | |
|----------------------|--|
| Body | Marine-grade, all-aluminium construction |
| Lens | PMMA lens |
| Colours | <div style="display: flex; align-items: center;"> <div style="width: 20px; height: 15px; background-color: black; margin-right: 5px;"></div> RAL9004 Signal black </div> <div style="display: flex; align-items: center; margin-top: 5px;"> <div style="width: 20px; height: 15px; background-color: #808080; margin-right: 5px;"></div> RAL9007 Grey aluminium </div> <div style="display: flex; align-items: center; margin-top: 5px;"> <div style="width: 20px; height: 15px; background-color: #404040; margin-right: 5px;"></div> RAL7016 Anthracite grey </div> <div style="display: flex; align-items: center; margin-top: 5px;"> <div style="width: 20px; height: 15px; background-color: #e0e0e0; margin-right: 5px;"></div> RAL9016 Traffic white </div> |
| Gasket | Silicone rubber gaskets |
| Fasteners | PCS hardware |
| Ingress protection | IP66/IP67 |
| Impact resistance | IK09 |
| Corrosion resistance | 5CE |

Electrical description

| | |
|------------------|---|
| Power supply | 220-240V / 50-60 Hz |
| Driver / Ballast | Integral electronic DALI converter in thermally-separated compartment |

Additional information

| | |
|----------|-------------------------------------|
| Lifetime | T _a =25° L90B10 > 90000h |
|----------|-------------------------------------|