

108-1262

**we-ef**

VFL540-SE LED



**Description**

Pole or wall-mounted LED luminaire with integrated heat sinks. Side-entry mount.

IP66. Class I or Class II. IK08. Marine-grade, die-cast aluminum alloy. 5CE superior corrosion protection including PCS hardware. Silicone CCG® Controlled Compression Gasket. RFC® Reflection Free Contour main lens. CAD-optimized optics for superior illumination and glare control. Integral driver in thermally separated compartment. OLC® One LED Concept. Factory-installed LED circuit board. 0-10V Dimming comes standard with luminaire. Luminaire is factory-sealed and does not need to be opened during installation.

Recommended mounting height 20-40 ft, depending on lamp type selected.

Specify product with 7 Digit product code - Finish Color. Accessories, such as mounting, optical, and electrical, must be specified separately.

Example: XXX-XXXX-9004 (Black)  
+ XXX-XXXX (Accessory 1)

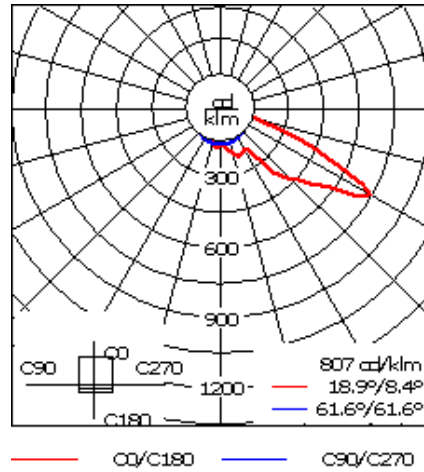
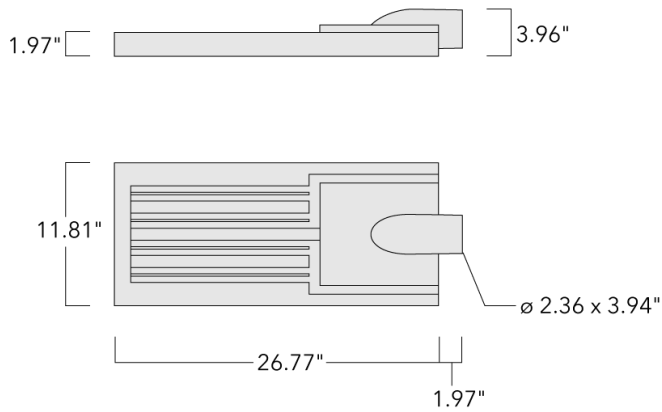
|                    |                              |
|--------------------|------------------------------|
| Weight             | 18.10 lb                     |
| Light distribution | [A60] Type IV Very Short     |
| Light source       | LED-48/96W / 700 mA - 4000 K |
| CRI                | 80                           |
| Power supply       | electronic gear              |
| BUG                | B2 U0 G2                     |
| LEDs               | 48                           |
| Rated input power  | 105.5 W                      |

|                           |       |
|---------------------------|-------|
| <b>Nominal Lumen (lm)</b> |       |
| LED Lumen                 | 310   |
| Total Lumen               | 14880 |
| Tj                        | 85    |

|                          |         |
|--------------------------|---------|
| <b>Rated lumens (lm)</b> |         |
| LED Lumen                | 247     |
| Total Lumen              | 11854.2 |
| Ta                       | 25      |

**WE-EF LIGHTING USA, LLC**

410-D Keystone Drive, 15086 Warrendale, PA 15086 - Phone: +1 724 742 0030  
customersupport.usa@we-ef.com - <https://we-ef.com/us>  
Subject to technical changes and errors. - Generated on 11/23/2024



## Specifications

### Material description

|                      |   |
|----------------------|---|
| Body                 | Marine-grade, die-cast aluminium alloy  |
| Lens                 | PMMA RFC Reflection Contour Lens technology   |
| Colors               | <div style="display: flex; flex-direction: column; gap: 5px;"> <div style="display: flex; align-items: center;"> <div style="width: 20px; height: 10px; background-color: black; margin-right: 5px;"></div> <span>RAL9004 Black</span> </div> <div style="display: flex; align-items: center;"> <div style="width: 20px; height: 10px; background-color: grey; margin-right: 5px;"></div> <span>RAL9007 Grey Metallic</span> </div> <div style="display: flex; align-items: center;"> <div style="width: 20px; height: 10px; background-color: white; margin-right: 5px;"></div> <span>RAL9016 White</span> </div> <div style="display: flex; align-items: center;"> <div style="width: 20px; height: 10px; background-color: darkgrey; margin-right: 5px;"></div> <span>RAL8019 Dark Bronze</span> </div> </div> |
| Gasket               | Silicone rubber gasket  |
| Fasteners            | PCS Polymer Coated Stainless Steel hardware   |
| Ingress protection   | IP66  |
| Impact resistance    | IK08  |
| Corrosion resistance | 5CE   |
| Windage              | 18.1 ft <sup>2</sup>  |

**WE-EF LIGHTING USA, LLC**

410-D Keystone Drive, 15086 Warrendale, PA 15086 - Phone: +1 724 742 0030

customersupport.usa@we-ef.com - <https://we-ef.com/us>

Subject to technical changes and errors. - Generated on 11/23/2024

**108-1262**

**we-ef**

**VFL540-SE LED**

**Electrical description**

---

|                  |   |
|------------------|---|
| Power supply     | Integral [ECG] electronic driver 120V-277V. 0-10V dimmable, to be specified with order. |
| Driver / Ballast | Integral EC electronic converter  |
| Power factor     | > 0.9   |
| Surge protection | In-line bracket 10kV Surge Protector  |

---

**Additional information**

---

|            |   |
|------------|---|
| Lifetime   | Ta=25°/40° L90B10 > 90000h  |
| BUG Rating | Please see individual Spec Sheets for classification of Backlight, Uplight and Glare. |
| Listings   | ETL, UL-1598, CSA-C22.2#250.0. Suitable for Wet Locations.                            |

---

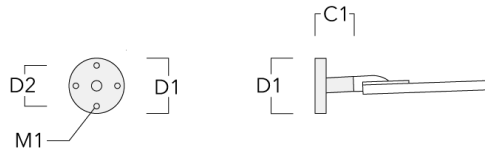
**WE-EF LIGHTING USA, LLC**

410-D Keystone Drive, 15086 Warrendale, PA 15086 - Phone: +1 724 742 0030  
customersupport.usa@we-ef.com - <https://we-ef.com/us>  
Subject to technical changes and errors. - Generated on 11/23/2024

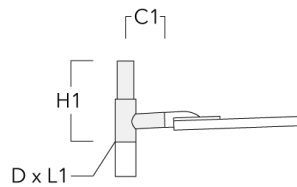
**Mounting Accessories**

**Wall and pole brackets RE**

| Description          | Part ID  | C1   | D1   | D2   | D × L1 | H1 | M1   | Weight (lb) | C   | H |
|----------------------|----------|------|------|------|--------|----|------|-------------|-----|---|
| RE0-540 Wall bracket | 111-0084 | 7.09 | 9.06 | 7.68 |        |    | 0.47 | 7.05        | 140 |   |

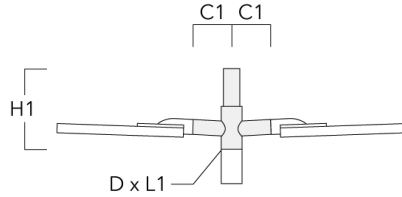


|                              |          |      |  |  |       |       |  |       |     |     |
|------------------------------|----------|------|--|--|-------|-------|--|-------|-----|-----|
| RE1-540 Pole bracket, single | 111-0042 | 7.87 |  |  | 3 x 5 | 21.65 |  | 10.14 | 200 | 550 |
|------------------------------|----------|------|--|--|-------|-------|--|-------|-----|-----|



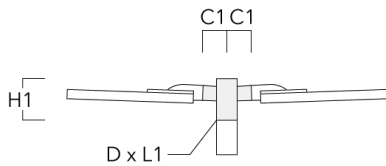
**VFL540-SE LED**

| Description                  | Part ID  | C1   | D1 | D2 | D × L1 | H1    | M1 | Weight (lb) | C   | H   |
|------------------------------|----------|------|----|----|--------|-------|----|-------------|-----|-----|
| RE2-540 Pole bracket, double | 111-0043 | 7.87 |    |    | 3 x 5  | 21.65 |    | 11.68       | 200 | 550 |



**Pole brackets RF**

| Description                  | Part ID  | C1   | D × L1 | H1   | Weight (lb) | C   | H   |
|------------------------------|----------|------|--------|------|-------------|-----|-----|
| RF2-540 Pole bracket, double | 111-0047 | 7.87 | 3 x 3  | 7.87 | 7.28        | 200 | 300 |



**WE-EF LIGHTING USA, LLC**

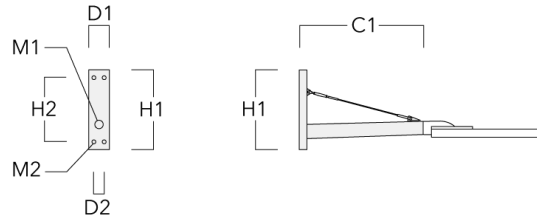
410-D Keystone Drive, 15086 Warrendale, PA 15086 - Phone: +1 724 742 0030

customersupport.usa@we-ef.com - <https://we-ef.com/us>

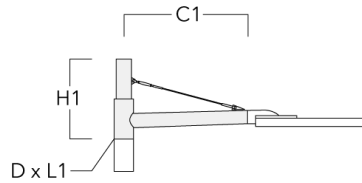
Subject to technical changes and errors. - Generated on 11/23/2024

**Wall and pole brackets RX**

| Description          | Part ID  | C1    | D1   | D2   | D x L1 | H1    | H2    | M1   | M2   | Weight (lb) |
|----------------------|----------|-------|------|------|--------|-------|-------|------|------|-------------|
| RX0-540 Wall bracket | 111-0086 | 39.37 | 5.51 | 3.94 |        | 17.72 | 15.16 | 1.18 | 0.47 | 11.46       |

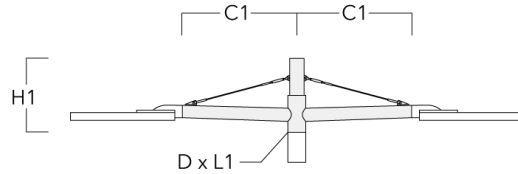


|                              |          |       |  |  |             |       |  |  |  |       |
|------------------------------|----------|-------|--|--|-------------|-------|--|--|--|-------|
| RX1-540 Pole bracket, single | 111-0054 | 39.37 |  |  | 2.99 x 3.15 | 21.65 |  |  |  | 14.99 |
|------------------------------|----------|-------|--|--|-------------|-------|--|--|--|-------|



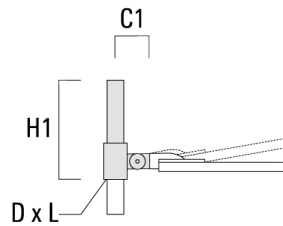
**VFL540-SE LED**

| Description                  | Part ID  | C1    | D1 | D2 | D x L1      | H1    | H2 | M1 | M2 | Weight (lb) |
|------------------------------|----------|-------|----|----|-------------|-------|----|----|----|-------------|
| RX2-540 Pole bracket, double | 111-0055 | 39.37 |    |    | 2.99 x 3.15 | 21.65 |    |    |    | 21.38       |



**Wall and pole brackets RI**

| Description                             | Part ID  | C1    | D x L1 | H1     | Weight (lb) |
|---|----------|-------|--------|--------|-------------|
| R11-540 Adjustable pole bracket, single | 111-0179 | 7.87" | 3 x 3  | 20.67" | 12.00 lbs   |



**WE-EF LIGHTING USA, LLC**

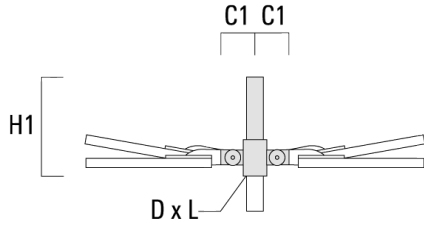
410-D Keystone Drive, 15086 Warrendale, PA 15086 - Phone: +1 724 742 0030

customersupport.usa@we-ef.com - <https://we-ef.com/us>

Subject to technical changes and errors. - Generated on 11/23/2024

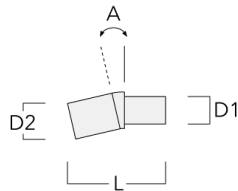
**VFL540-SE LED**

| Description                             | Part ID  | C1    | D × L1 | H1     | Weight (lb) |
|---|----------|-------|--------|--------|-------------|
| R12-540 Adjustable pole bracket, double | 106-0481 | 7.87" | 3 x 3  | 20.67" | 14.00 lbs   |



**Tilt brackets TB**

| Description                   | Part ID  | A   | D1          | D2          | L   | Weight (lb) |
|-------------------------------|----------|-----|-------------|-------------|-----|-------------|
| TB-540.60-10 Tilt bracket 10° | 111-0636 | 10° | 2.36 x 3.54 | 2.36 x 3.94 | 205 | 1.54        |



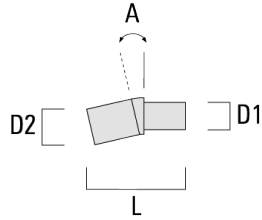
**WE-EF LIGHTING USA, LLC**

410-D Keystone Drive, 15086 Warrendale, PA 15086 - Phone: +1 724 742 0030  
 customersupport.usa@we-ef.com - <https://we-ef.com/us>  
 Subject to technical changes and errors. - Generated on 11/23/2024



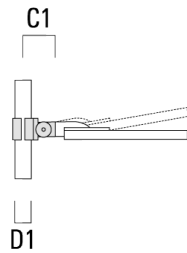
**VFL540-SE LED**

| Description                   | Part ID  | A   | D1          | D2          | L   | Weight (lb) |
|-------------------------------|----------|-----|-------------|-------------|-----|-------------|
| TB-540.60-15 Tilt bracket 15° | 111-0637 | 15° | 2.36 x 3.54 | 2.36 x 3.94 | 205 | 1.54        |



**Pole clamp SI**

| Description                            | Part ID  | C1   | D1       | Weight (lb) | C   | D       |
|--|----------|------|----------|-------------|-----|---------|
| SI1-540 Pole clamp, single (Ø 3"-3.5") | 111-0070 | 7.68 | 3.0-3.50 | 11.00       | 195 | 76 - 89 |

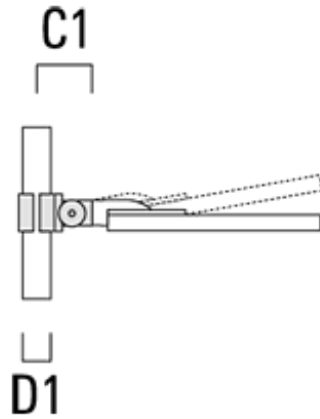


**WE-EF LIGHTING USA, LLC**

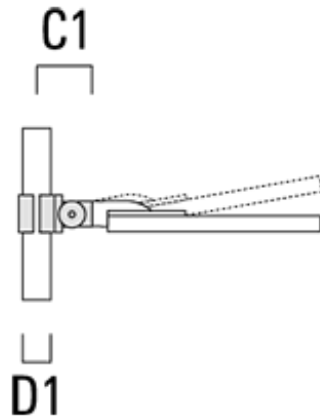
410-D Keystone Drive, 15086 Warrendale, PA 15086 - Phone: +1 724 742 0030  
 customersupport.usa@we-ef.com - <https://we-ef.com/us>  
 Subject to technical changes and errors. - Generated on 11/23/2024

**VFL540-SE LED**

| Description                               | Part ID  | C1    | D1          | Weight (lb) | C   | D         |
|---|----------|-------|-------------|-------------|-----|-----------|
| S11-540 Pole clamp, single (Ø 4.5"-5.25") | 111-0071 | 7.68" | 4.50"-5.25" | 14.00 lbs   | 195 | 102 - 114 |



|  |          |       |           |           |     |           |
|--|----------|-------|-----------|-----------|-----|-----------|
| S11-540 Pole clamp, single (Ø 4"-4.5") | 111-0177 | 7.68" | 4.0"-4.5" | 12.00 lbs | 195 | 102 - 114 |
|--|----------|-------|-----------|-----------|-----|-----------|



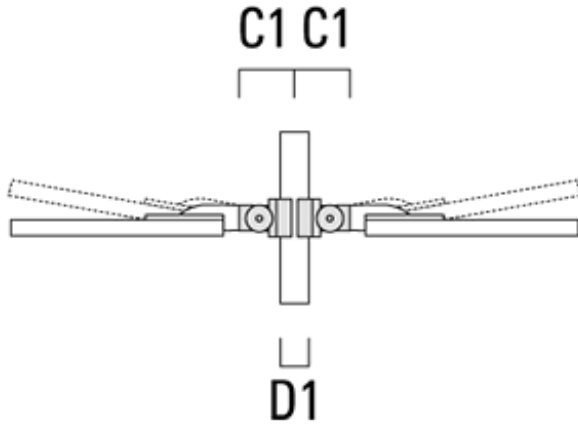
**WE-EF LIGHTING USA, LLC**

410-D Keystone Drive, 15086 Warrendale, PA 15086 - Phone: +1 724 742 0030  
customersupport.usa@we-ef.com - <https://we-ef.com/us>

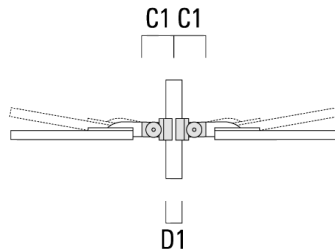
Subject to technical changes and errors. - Generated on 11/23/2024

**VFL540-SE LED**

| Description                            | Part ID  | C1    | D1        | Weight (lb) | C       | D |
|--|----------|-------|-----------|-------------|---------|---|
| SI2-540 Pole clamp, double (Ø 3"-3.5") | 111-0072 | 7.68" | 3.0"-3.5" | 195         | 76 - 89 |   |



|   |          |       |            |        |     |           |
|---|----------|-------|------------|--------|-----|-----------|
| SI2-540 Pole clamp, double (Ø 4.5"-5.25") | 111-0073 | 7.68" | 4.5"-5.25" | 14 lbs | 195 | 102 - 114 |
|---|----------|-------|------------|--------|-----|-----------|

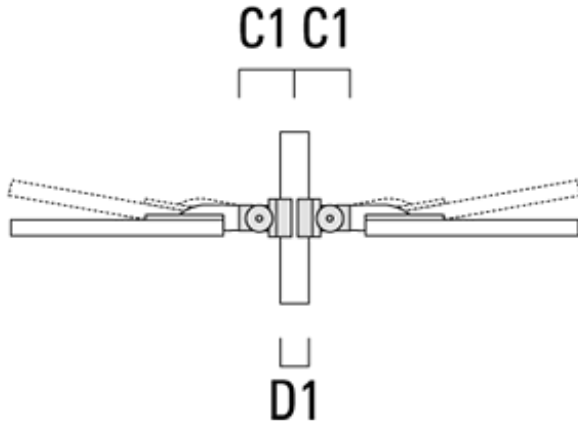


**WE-EF LIGHTING USA, LLC**

410-D Keystone Drive, 15086 Warrendale, PA 15086 - Phone: +1 724 742 0030  
 customersupport.usa@we-ef.com - <https://we-ef.com/us>  
 Subject to technical changes and errors. - Generated on 11/23/2024

**VFL540-SE LED**

| Description                            | Part ID  | C1    | D1        | Weight (lb) | C   | D         |
|--|----------|-------|-----------|-------------|-----|-----------|
| SI2-540 Pole clamp, double (Ø 4"-4.5") | 111-0183 | 7.68" | 4.0"-4.5" | 12 lbs      | 195 | 102 - 114 |



**WE-EF LIGHTING USA, LLC**

410-D Keystone Drive, 15086 Warrendale, PA 15086 - Phone: +1 724 742 0030  
customersupport.usa@we-ef.com - <https://we-ef.com/us>  
Subject to technical changes and errors. - Generated on 11/23/2024

## Optical Accessories

### Light shield

| Description | Part ID  | Additional information  |
|-------------|----------|---|
| LS180-[A60] | 430-0038 | Light shield LS180 to greatly reduce or eliminate light pollution.<br>PA injection moulded component, black matt.<br>Suitable for asymmetric light distribution [A60].                          |
| LS180       | 430-0029 | Glare Shield for backlight spill. Glare Shield factory-installed or available as retrofit kit.<br>Suitable for [S60], [S65], [S70], [R65], [P65] lenses. Must be specified at time of ordering. |