

108-1267

we-ef

VFL540-SE LED



Description

Pole or wall-mounted LED luminaire with integrated heat sinks. Side-entry mount.

IP66. Class I or Class II. IK08. Marine-grade, die-cast aluminum alloy. 5CE superior corrosion protection including PCS hardware. Silicone CCG® Controlled Compression Gasket. RFC® Reflection Free Contour main lens. CAD-optimized optics for superior illumination and glare control. Integral driver in thermally separated compartment. OLC® One LED Concept. Factory-installed LED circuit board. 0-10V Dimming comes standard with luminaire. Luminaire is factory-sealed and does not need to be opened during installation.

Recommended mounting height 20-40 ft, depending on lamp type selected.

Specify product with 7 Digit product code - Finish Color. Accessories, such as mounting, optical, and electrical, must be specified separately.

Example: XXX-XXXX-9004 (Black)
+ XXX-XXXX (Accessory 1)

| | |
|--------------------|------------------------------|
| Weight | 18.10 lb |
| Light distribution | [S60] Type III Short |
| Light source | LED-36/36W / 350 mA - 3000 K |
| CRI | 80 |
| Power supply | electronic gear |
| BUG | B1 U0 G1 |
| LEDs | 36 |
| Rated input power | 39 W |

Nominal Lumen (lm)

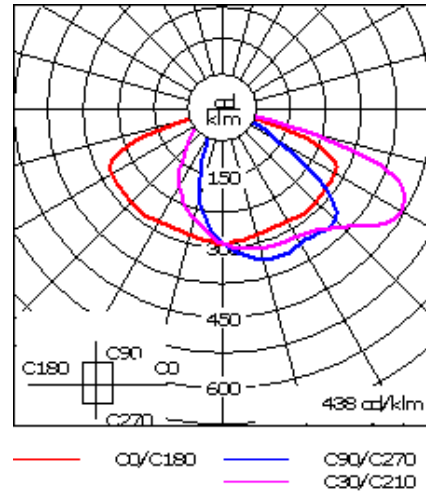
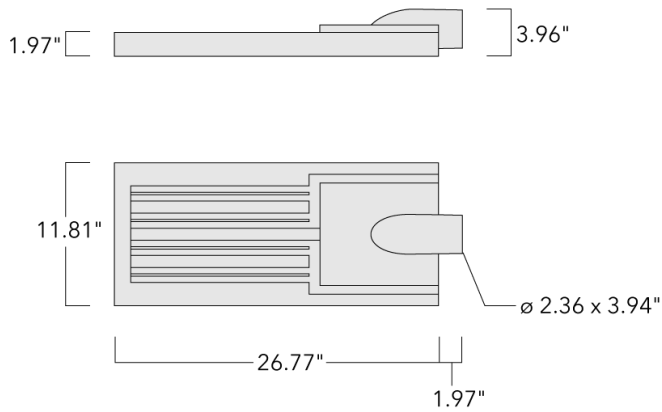
| | |
|-------------|------|
| LED Lumen | 155 |
| Total Lumen | 5580 |
| Tj | 85 |

Rated lumens (lm)

| | |
|-------------|--------|
| LED Lumen | 143.8 |
| Total Lumen | 5175.6 |
| Ta | 25 |

WE-EF LIGHTING USA, LLC

410-D Keystone Drive, 15086 Warrendale, PA 15086 - Phone: +1 724 742 0030
customersupport.usa@we-ef.com - <https://we-ef.com/us>
Subject to technical changes and errors. - Generated on 11/23/2024



Specifications

Material description

| | |
|----------------------|---|
| Body | Marine-grade, die-cast aluminium alloy |
| Lens | PMMA RFC Reflection Contour Lens technology |
| Colors | <div style="display: flex; flex-direction: column; gap: 5px;"> <div style="display: flex; align-items: center;"> <div style="width: 20px; height: 10px; background-color: black; margin-right: 5px;"></div> RAL9004 Black </div> <div style="display: flex; align-items: center;"> <div style="width: 20px; height: 10px; background-color: grey; margin-right: 5px;"></div> RAL9007 Grey Metallic </div> <div style="display: flex; align-items: center;"> <div style="width: 20px; height: 10px; background-color: white; margin-right: 5px;"></div> RAL9016 White </div> <div style="display: flex; align-items: center;"> <div style="width: 20px; height: 10px; background-color: darkgrey; margin-right: 5px;"></div> RAL8019 Dark Bronze </div> </div> |
| Gasket | Silicone rubber gasket |
| Fasteners | PCS Polymer Coated Stainless Steel hardware |
| Ingress protection | IP66 |
| Impact resistance | IK08 |
| Corrosion resistance | 5CE |
| Windage | 18.1 ft ² |

WE-EF LIGHTING USA, LLC

410-D Keystone Drive, 15086 Warrendale, PA 15086 - Phone: +1 724 742 0030
 customersupport.usa@we-ef.com - <https://we-ef.com/us>
 Subject to technical changes and errors. - Generated on 11/23/2024

Electrical description

| | |
|------------------|---|
| Power supply | Integral [ECG] electronic driver 120V-277V. 0-10V dimmable, to be specified with order. |
| Driver / Ballast | Integral EC electronic converter |
| Power factor | > 0.9 |
| Surge protection | In-line bracket 10kV Surge Protector |

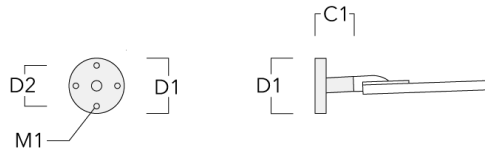
Additional information

| | |
|------------|---|
| Lifetime | Ta=25°/40° L90B10 > 90000h |
| BUG Rating | Please see individual Spec Sheets for classification of Backlight, Uplight and Glare. |
| Listings | ETL, UL-1598, CSA-C22.2#250.0. Suitable for Wet Locations. |

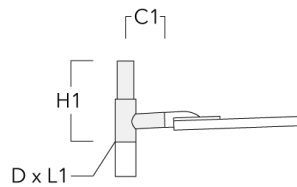
Mounting Accessories

Wall and pole brackets RE

| Description | Part ID | C1 | D1 | D2 | D × L1 | H1 | M1 | Weight (lb) | C | H |
|----------------------|----------|------|------|------|--------|----|------|-------------|-----|---|
| RE0-540 Wall bracket | 111-0084 | 7.09 | 9.06 | 7.68 | | | 0.47 | 7.05 | 140 | |

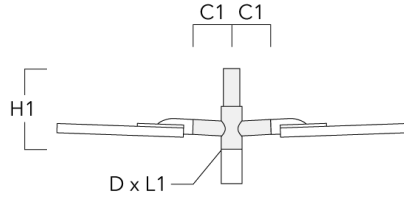


| | | | | | | | | | | |
|------------------------------|----------|------|--|--|-------|-------|--|-------|-----|-----|
| RE1-540 Pole bracket, single | 111-0042 | 7.87 | | | 3 x 5 | 21.65 | | 10.14 | 200 | 550 |
|------------------------------|----------|------|--|--|-------|-------|--|-------|-----|-----|



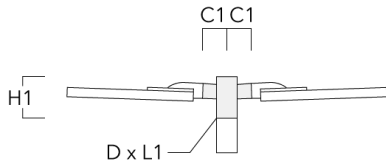
VFL540-SE LED

| Description | Part ID | C1 | D1 | D2 | D × L1 | H1 | M1 | Weight (lb) | C | H |
|------------------------------|----------|------|----|----|--------|-------|----|-------------|-----|-----|
| RE2-540 Pole bracket, double | 111-0043 | 7.87 | | | 3 x 5 | 21.65 | | 11.68 | 200 | 550 |



Pole brackets RF

| Description | Part ID | C1 | D × L1 | H1 | Weight (lb) | C | H |
|------------------------------|----------|------|--------|------|-------------|-----|-----|
| RF2-540 Pole bracket, double | 111-0047 | 7.87 | 3 x 3 | 7.87 | 7.28 | 200 | 300 |



WE-EF LIGHTING USA, LLC

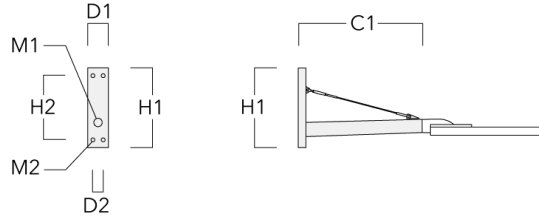
410-D Keystone Drive, 15086 Warrendale, PA 15086 - Phone: +1 724 742 0030

customersupport.usa@we-ef.com - <https://we-ef.com/us>

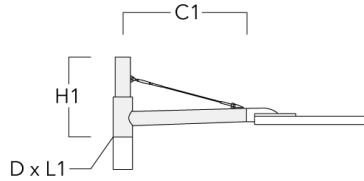
Subject to technical changes and errors. - Generated on 11/23/2024

Wall and pole brackets RX

| Description | Part ID | C1 | D1 | D2 | D × L1 | H1 | H2 | M1 | M2 | Weight (lb) |
|----------------------|----------|-------|------|------|--------|-------|-------|------|------|-------------|
| RX0-540 Wall bracket | 111-0086 | 39.37 | 5.51 | 3.94 | | 17.72 | 15.16 | 1.18 | 0.47 | 11.46 |

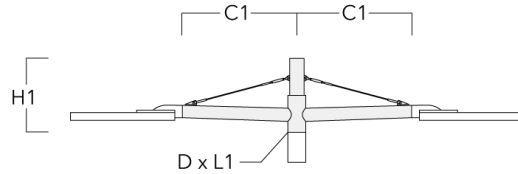


| | | | | | | | | | | |
|------------------------------|----------|-------|--|--|-------------|-------|--|--|--|-------|
| RX1-540 Pole bracket, single | 111-0054 | 39.37 | | | 2.99 x 3.15 | 21.65 | | | | 14.99 |
|------------------------------|----------|-------|--|--|-------------|-------|--|--|--|-------|



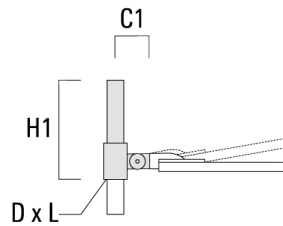
VFL540-SE LED

| Description | Part ID | C1 | D1 | D2 | D x L1 | H1 | H2 | M1 | M2 | Weight (lb) |
|------------------------------|----------|-------|----|----|-------------|-------|----|----|----|-------------|
| RX2-540 Pole bracket, double | 111-0055 | 39.37 | | | 2.99 x 3.15 | 21.65 | | | | 21.38 |



Wall and pole brackets RI

| Description | Part ID | C1 | D x L1 | H1 | Weight (lb) |
|---|----------|-------|--------|--------|-------------|
| R11-540 Adjustable pole bracket, single | 111-0179 | 7.87" | 3 x 3 | 20.67" | 12.00 lbs |

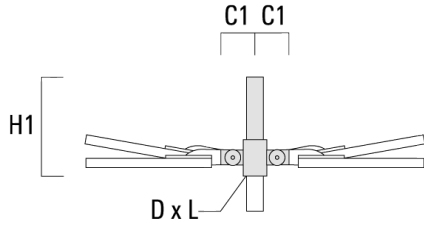


WE-EF LIGHTING USA, LLC

410-D Keystone Drive, 15086 Warrendale, PA 15086 - Phone: +1 724 742 0030
 customersupport.usa@we-ef.com - <https://we-ef.com/us>
 Subject to technical changes and errors. - Generated on 11/23/2024

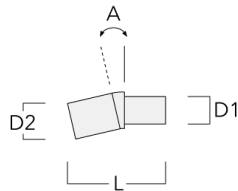
VFL540-SE LED

| Description | Part ID | C1 | D × L1 | H1 | Weight (lb) |
|---|----------|-------|--------|--------|-------------|
| R12-540 Adjustable pole bracket, double | 106-0481 | 7.87" | 3 x 3 | 20.67" | 14.00 lbs |



Tilt brackets TB

| Description | Part ID | A | D1 | D2 | L | Weight (lb) |
|-------------------------------|----------|-----|-------------|-------------|-----|-------------|
| TB-540.60-10 Tilt bracket 10° | 111-0636 | 10° | 2.36 x 3.54 | 2.36 x 3.94 | 205 | 1.54 |

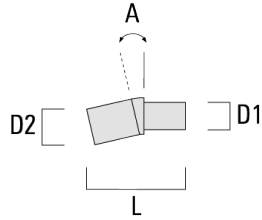


WE-EF LIGHTING USA, LLC

410-D Keystone Drive, 15086 Warrendale, PA 15086 - Phone: +1 724 742 0030
 customersupport.usa@we-ef.com - <https://we-ef.com/us>
 Subject to technical changes and errors. - Generated on 11/23/2024

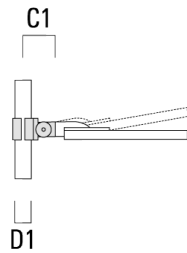
VFL540-SE LED

| Description | Part ID | A | D1 | D2 | L | Weight (lb) |
|-------------------------------|----------|-----|-------------|-------------|-----|-------------|
| TB-540.60-15 Tilt bracket 15° | 111-0637 | 15° | 2.36 x 3.54 | 2.36 x 3.94 | 205 | 1.54 |



Pole clamp SI

| Description | Part ID | C1 | D1 | Weight (lb) | C | D |
|--|----------|------|----------|-------------|-----|---------|
| SI1-540 Pole clamp, single (Ø 3"-3.5") | 111-0070 | 7.68 | 3.0-3.50 | 11.00 | 195 | 76 - 89 |

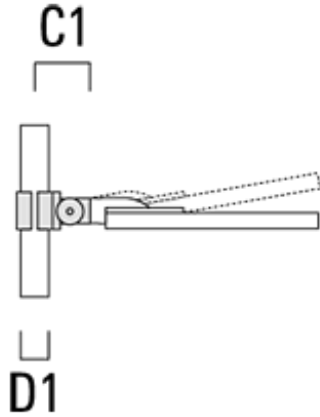


WE-EF LIGHTING USA, LLC

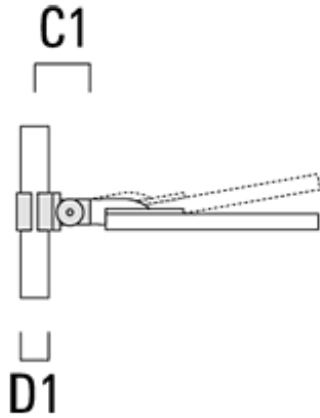
410-D Keystone Drive, 15086 Warrendale, PA 15086 - Phone: +1 724 742 0030
 customersupport.usa@we-ef.com - <https://we-ef.com/us>
 Subject to technical changes and errors. - Generated on 11/23/2024

VFL540-SE LED

| Description | Part ID | C1 | D1 | Weight (lb) | C | D |
|---|----------|-------|-------------|-------------|-----|-----------|
| S11-540 Pole clamp, single (Ø 4.5"-5.25") | 111-0071 | 7.68" | 4.50"-5.25" | 14.00 lbs | 195 | 102 - 114 |



| | | | | | | |
|--|----------|-------|-----------|-----------|-----|-----------|
| S11-540 Pole clamp, single (Ø 4"-4.5") | 111-0177 | 7.68" | 4.0"-4.5" | 12.00 lbs | 195 | 102 - 114 |
|--|----------|-------|-----------|-----------|-----|-----------|

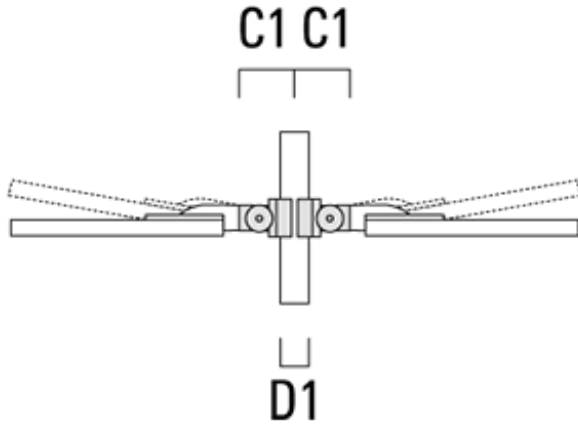


WE-EF LIGHTING USA, LLC

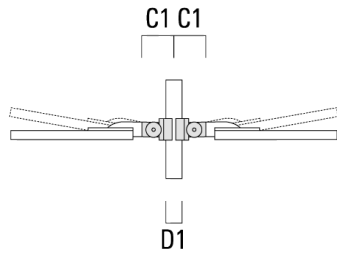
410-D Keystone Drive, 15086 Warrendale, PA 15086 - Phone: +1 724 742 0030
customersupport.usa@we-ef.com - <https://we-ef.com/us>
Subject to technical changes and errors. - Generated on 11/23/2024

VFL540-SE LED

| Description | Part ID | C1 | D1 | Weight (lb) | C | D |
|--|----------|-------|-----------|-------------|---------|---|
| SI2-540 Pole clamp, double (Ø 3"-3.5") | 111-0072 | 7.68" | 3.0"-3.5" | 195 | 76 - 89 | |



| | | | | | | |
|---|----------|-------|------------|--------|-----|-----------|
| SI2-540 Pole clamp, double (Ø 4.5"-5.25") | 111-0073 | 7.68" | 4.5"-5.25" | 14 lbs | 195 | 102 - 114 |
|---|----------|-------|------------|--------|-----|-----------|

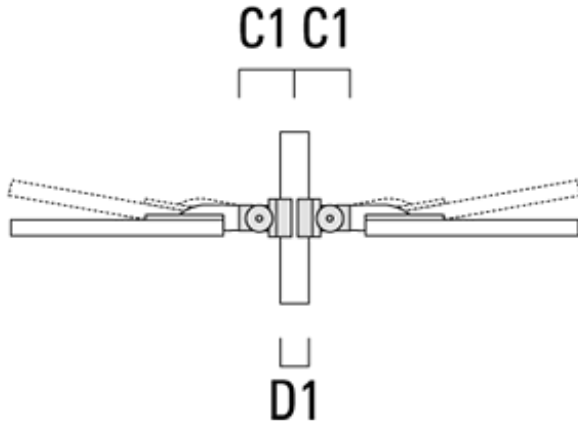


WE-EF LIGHTING USA, LLC

410-D Keystone Drive, 15086 Warrendale, PA 15086 - Phone: +1 724 742 0030
customersupport.usa@we-ef.com - <https://we-ef.com/us>
Subject to technical changes and errors. - Generated on 11/23/2024

VFL540-SE LED

| Description | Part ID | C1 | D1 | Weight (lb) | C | D |
|--|----------|-------|-----------|-------------|-----|-----------|
| SI2-540 Pole clamp, double (Ø 4"-4.5") | 111-0183 | 7.68" | 4.0"-4.5" | 12 lbs | 195 | 102 - 114 |



WE-EF LIGHTING USA, LLC

410-D Keystone Drive, 15086 Warrendale, PA 15086 - Phone: +1 724 742 0030
customersupport.usa@we-ef.com - <https://we-ef.com/us>
Subject to technical changes and errors. - Generated on 11/23/2024

Optical Accessories

Light shield

| Description | Part ID | Additional information |
|-------------|----------|---|
| LS180-[A60] | 430-0038 | Light shield LS180 to greatly reduce or eliminate light pollution. PA injection moulded component, black matt. Suitable for asymmetric light distribution [A60]. |
| LS180 | 430-0029 | Glare Shield for backlight spill. Glare Shield factory-installed or available as retrofit kit. Suitable for [S60], [S65], [S70], [R65], [P65] lenses. Must be specified at time of ordering. |