

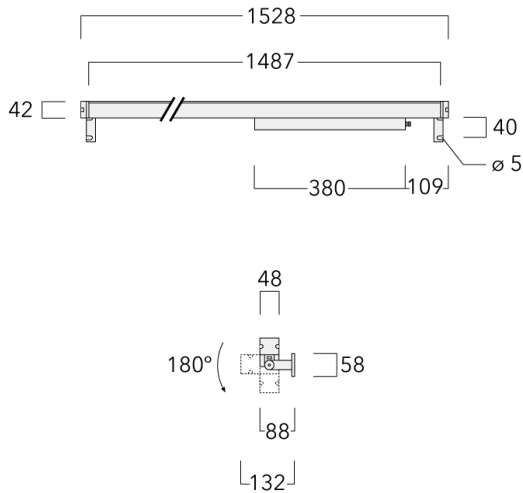


### Description

IP66/IP67. IK09. Marine-grade, all-aluminium construction. 5CE superior corrosion protection including PCS hardware. PMMA lens. Silicone rubber gaskets. 1.2 m of flexible PVC-free cable. Luminaire is factory-sealed and does not need to be opened during installation.

Integral EC electronic converter in thermally-separated compartment. Advanced thermal management protects LEDs while optimising lumens output. Removable LED boards for upgrading. DALI interface.

Weight	4.75 kg
Light distribution	symmetric linear, very narrow beam [LEE]
Light source	LED-80/50W / 225 mA - 3000 K
CRI	80
Power supply	EC
LEDs	80
Rated input power	55 W
<b>Nominal Lumen (lm)</b>	
LED Lumen	90
Total Lumen	7200
T <sub>j</sub>	85
<b>Rated lumens (lm)</b>	
LED Lumen	75.2
Total Lumen	6014.9
T <sub>a</sub>	25



## Specifications

### Material description

Body	Marine-grade, all-aluminium construction
Lens	PMMA lens
Colours	<div style="display: flex; align-items: center;"> <div style="width: 20px; height: 15px; background-color: black; margin-right: 5px;"></div> <span>RAL9004 Signal black</span> </div> <div style="display: flex; align-items: center; margin-top: 5px;"> <div style="width: 20px; height: 15px; background-color: grey; margin-right: 5px;"></div> <span>RAL9007 Grey aluminium</span> </div> <div style="display: flex; align-items: center; margin-top: 5px;"> <div style="width: 20px; height: 15px; background-color: darkgrey; margin-right: 5px;"></div> <span>RAL7016 Anthracite grey</span> </div> <div style="display: flex; align-items: center; margin-top: 5px;"> <div style="width: 20px; height: 15px; background-color: white; margin-right: 5px;"></div> <span>RAL9016 Traffic white</span> </div>
Gasket	Silicone rubber gaskets
Fasteners	PCS hardware
Ingress protection	IP66/IP67
Impact resistance	IK09
Corrosion resistance	5CE

### Electrical description

Power supply	220-240V / 50-60 Hz
Driver / Ballast	Integral electronic DALI converter in thermally-separated compartment

### Additional information

Lifetime	T <sub>a</sub> =25° L90B10 > 90000h
----------	-------------------------------------

**187-0030**

**VLR150**

**WE-EF LIGHTING (Thailand) Co., Ltd.**

57 Moo 5, Kingkaew Rd., Bangplee, 10540 Samutprakarn

Phone: +66 2 738 96 20

Fax: +66 2 738 96 29

<https://we-ef.com/asia>

Subject to technical changes and errors.

Generated on 23/10/2024

**we-ef**

---

A Fagerhult Group Company