

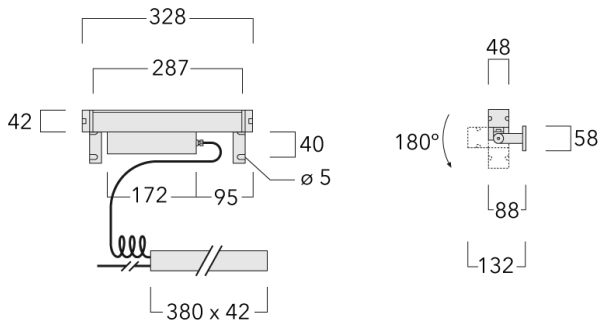


Description

IP67, Class I. Class II on request. IK09. Marine-grade, all aluminium construction. 5CE superior corrosion protection including PCS hardware. Silicone rubber gasket. PMMA main lens. Linear PMMA LED lens. 1.2 m connecting cable, UV stabilized, PVC free. Luminaire is factory sealed and does not need to be opened during installation and can be tilted up to 180°.

Separate LED driver with DALI interface.

| | |
|---------------------------|----------------------------------|
| Weight | 1.20 kg |
| Light distribution | symmetric linear, wide beam [LB] |
| Light source | LED-16/10W / 225 mA - 3000 K |
| CRI | 80 |
| Power supply | EC |
| LEDs | 16 |
| Rated input power | 13 W |
| Nominal Lumen (lm) | |
| LED Lumen | 90 |
| Total Lumen | 1440 |
| Tj | 85 |
| Rated lumens (lm) | |
| LED Lumen | 59.9 |
| Total Lumen | 957.9 |
| Ta | 25 |



Specifications

Material description

| | |
|----------------------|--|
| Body | Marine-grade, all-aluminium construction |
| Lens | PMMA |
| Colours | <div style="display: flex; align-items: center;"> <div style="width: 20px; height: 15px; background-color: black; margin-right: 5px;"></div> RAL9004 Signal black </div> <div style="display: flex; align-items: center;"> <div style="width: 20px; height: 15px; background-color: #cccccc; margin-right: 5px;"></div> RAL9006 White aluminium </div> <div style="display: flex; align-items: center;"> <div style="width: 20px; height: 15px; background-color: #808080; margin-right: 5px;"></div> RAL9007 Grey aluminium </div> <div style="display: flex; align-items: center;"> <div style="width: 20px; height: 15px; background-color: #333333; margin-right: 5px;"></div> RAL7016 Anthracite grey </div> <div style="display: flex; align-items: center;"> <div style="width: 20px; height: 15px; background-color: #e0e0e0; margin-right: 5px;"></div> RAL9016 Traffic white </div> |
| Gasket | Silicone rubber gasket |
| Fasteners | PCS Polymer Coated Stainless Steel Hardware |
| Ingress protection | IP67 |
| Impact resistance | IK09 |
| Corrosion resistance | 5CE |

Electrical description

| | |
|------------------|---|
| Power supply | 220-240V / 50-60 Hz |
| Driver / Ballast | Separate LED driver with DALI Interface |

Additional information

| | |
|-------------------------|-------------------------------------|
| Lifetime | T _a =25° L90B10 > 90000h |
| Energy efficiency class | D (Light source) |