



**Description**

IP67. Class I. IK09. Marine-grade, all aluminum construction. 5CE superior corrosion protection including PCS hardware. Silicone CCG® Controlled Compression Gasket. Linear PMMA LED lens, PMMA cover. 4 ft connecting cable, UV stabilized, PVC free. Separate LED driver. 0-10V Dimming comes standard with luminaire. Luminaire is factory-sealed and does not need to be opened during installation and can be tilted up to 180°.

Specify product with 7 Digit product code - Finish Color. Accessories, such as mounting, optical, and electrical, must be specified separately.

Example: XXX-XXXX-9004 (Black)

+ XXX-XXXX (Accessory 1)

|                    |  |
|--------------------|--|
| Weight             | 2.60 lb                                  |
| Light distribution | symmetric linear, very narrow beam [LVN] |
| Light source       | LED-16/10W / 225 mA - 4000 K             |
| CRI                | 80                                       |
| Power supply       | electronic gear                          |
| LEDs               | 16                                       |
| Rated input power  | 13 W                                     |

| <b>Nominal Lumen (lm)</b> |      |
|---------------------------|------|
| LED Lumen                 | 90   |
| Total Lumen               | 1440 |
| Tj                        | 85   |

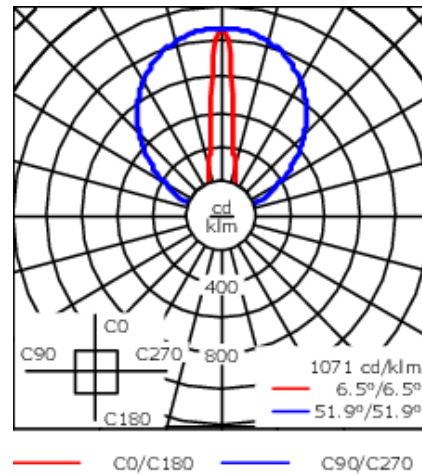
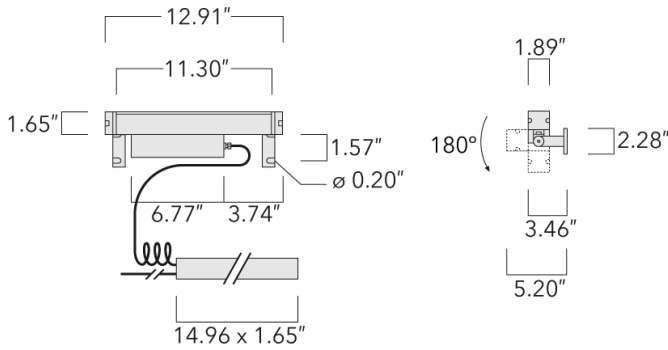
| <b>Rated lumens (lm)</b> |      |
|--------------------------|------|
| LED Lumen                | 75.2 |
| Total Lumen              | 1203 |
| Ta                       | 25   |

**WE-EF LIGHTING USA, LLC**

410-D Keystone Drive, 15086 Warrendale, PA 15086 - Phone: +1 724 742 0030

customersupport.usa@we-ef.com - <https://we-ef.com/us>

Subject to technical changes and errors. - Generated on 11/23/2024



## Specifications

### Material description

|                      |   |
|----------------------|---|
| Body                 | Marine-grade, all-aluminium construction  |
| Lens                 | PMMA  |
| Colors               | <div style="display: flex; flex-direction: column; gap: 5px;"> <div><span style="display: inline-block; width: 15px; height: 15px; background-color: black; margin-right: 5px;"></span> RAL9004 Black</div> <div><span style="display: inline-block; width: 15px; height: 15px; background-color: grey; margin-right: 5px;"></span> RAL9007 Grey Metallic</div> <div><span style="display: inline-block; width: 15px; height: 15px; background-color: white; margin-right: 5px;"></span> RAL9016 White</div> <div><span style="display: inline-block; width: 15px; height: 15px; background-color: darkgrey; margin-right: 5px;"></span> RAL8019 Dark Bronze</div> </div> |
| Gasket               | Silicone rubber gasket  |
| Fasteners            | PCS Polymer Coated Stainless Steel hardware   |
| Ingress protection   | IP67  |
| Impact resistance    | IK09  |
| Corrosion resistance | 5CE Corrosion protection system   |

### Electrical description

|                  |   |
|------------------|---|
| Power supply     | Integral [ECG] electronic driver 120V-277V. 0-10V dimmable, to be specified with order. |
| Driver / Ballast | Separate LED driver with 0-10V Interface  |

**WE-EF LIGHTING USA, LLC**

410-D Keystone Drive, 15086 Warrendale, PA 15086 - Phone: +1 724 742 0030

customersupport.usa@we-ef.com - <https://we-ef.com/us>

Subject to technical changes and errors. - Generated on 11/23/2024

**187-0033**

**we-ef**

**VLR110**

**Additional information**

---

|          |   |
|----------|---|
| Lifetime | Ta=25°/40° L90B10 > 90000h  |
| Listings | ETL, UL-1598, CSA-C22.2#250.0. Suitable for Wet Locations. Meets ANSI C136.31 - 3G Vibration Rating for Bridge and Overpass Applications. |

---

**WE-EF LIGHTING USA, LLC**

410-D Keystone Drive, 15086 Warrendale, PA 15086 - Phone: +1 724 742 0030  
customersupport.usa@we-ef.com - <https://we-ef.com/us>  
Subject to technical changes and errors. - Generated on 11/23/2024