



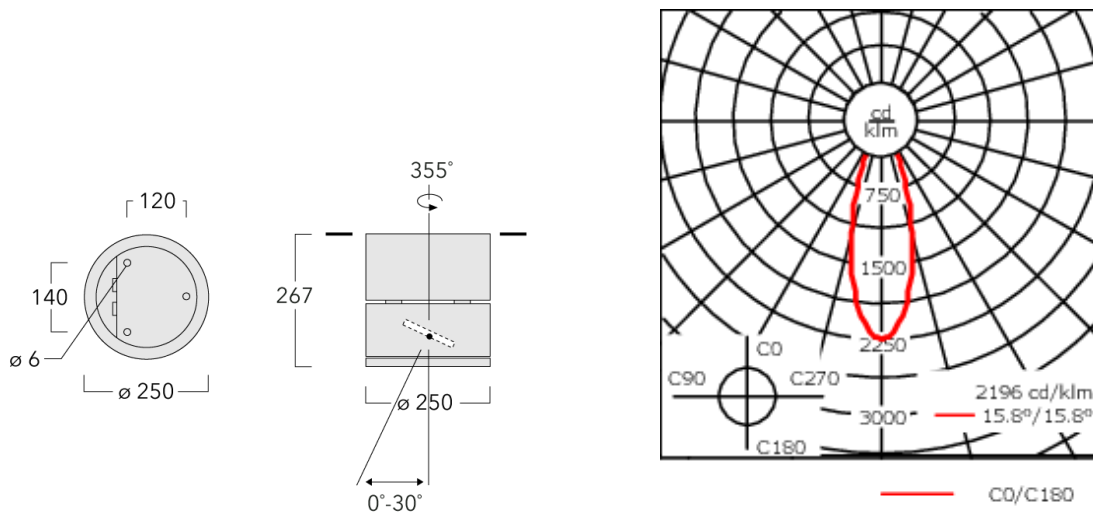
### Description

IP65, Class I. IK07. Marine-grade, die-cast aluminium alloy. 5CE superior corrosion protection including PCS hardware. Safety glass lens, hinged. Silicone rubber gasket.

Integral EC electronic converter in thermally separated compartment. Advanced thermal management protects LEDs while optimising lumens output. CAD-optimised optics for superior illumination and glare control. OLC® One LED Concept. 30° tiltable and 355° rotatable. Two cable entries. Optional 2200 K version available. To be specified at time of ordering.

Weight	8.50 kg
Light distribution	symmetric, medium beam [M]
Light source	LED-12/18W / 500 mA - 4000 K
CRI	80
Power supply	EC
LEDs	12
Rated input power	21 W
<b>Nominal Lumen (lm)</b>	
LED Lumen	230
Total Lumen	2760
T <sub>j</sub>	85
<b>Rated lumens (lm)</b>	
LED Lumen	199.8
Total Lumen	2398
T <sub>a</sub>	25

## DAC240-GB LED



## Specifications

### Material description

Body	Marine-grade, die-cast aluminium alloy
Lens	Safety glass lens, hinged
Colours	<div style="display: flex; align-items: center; gap: 10px;"> <div style="width: 20px; height: 15px; background-color: black; margin-bottom: 5px;"></div> RAL9004 Signal black  <div style="width: 20px; height: 15px; background-color: #808080; margin-bottom: 5px;"></div> RAL9007 Grey aluminium  <div style="width: 20px; height: 15px; background-color: #404040; margin-bottom: 5px;"></div> RAL7016 Anthracite grey  <div style="width: 20px; height: 15px; background-color: #e0e0e0; margin-bottom: 5px;"></div> RAL9016 Traffic white         </div>
Gasket	Silicone rubber gasket
Fasteners	PCS hardware
Ingress protection	IP65
Impact resistance	IK07
Corrosion resistance	5CE

### Electrical description

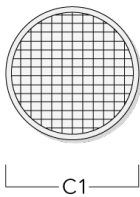
Power supply	220-240V / 50-60 Hz
Driver / Ballast	Integral EC electronic converter in thermally-separated compartment

### Additional information

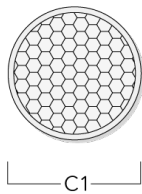
Lifetime	Ta=25° L90B10 > 90000h
----------	------------------------

**Optical Accessories****Flood lens**

Description	Part ID	C1
Flood lens IO-360	134-1442	98

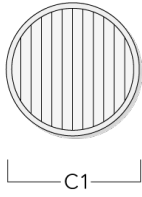
**Honeycomb louvre**

Description	Part ID	C1
Honeycomb louvre IW	134-1449	98



**Linear spread lens**

Description	Part ID	C1
Linear spread lens IO-180	185-2632	98



**Control**

**DALI interface**

---

Description	Part ID	C
DALI interface	430-0013	90

---