



### Description

IP65, Class I. IK07. Marine-grade, die-cast aluminium alloy. 5CE superior corrosion protection + primer including PCS hardware. Silicone rubber gasket. Safety glass lens, hinged. Frame with safety catch. Two cable entries. Integral EC electronic converter in thermally separated compartment. CAD-optimised optics for superior illumination and glare control. OLC\_R\_ One LED Concept. Factory installed LED circuit board. Gimbal mounted, 30° tiltable and 355° rotatable.

One internal optical accessory.

2700 K option available on request. Optional 2200 K version available. To be specified at time of ordering.

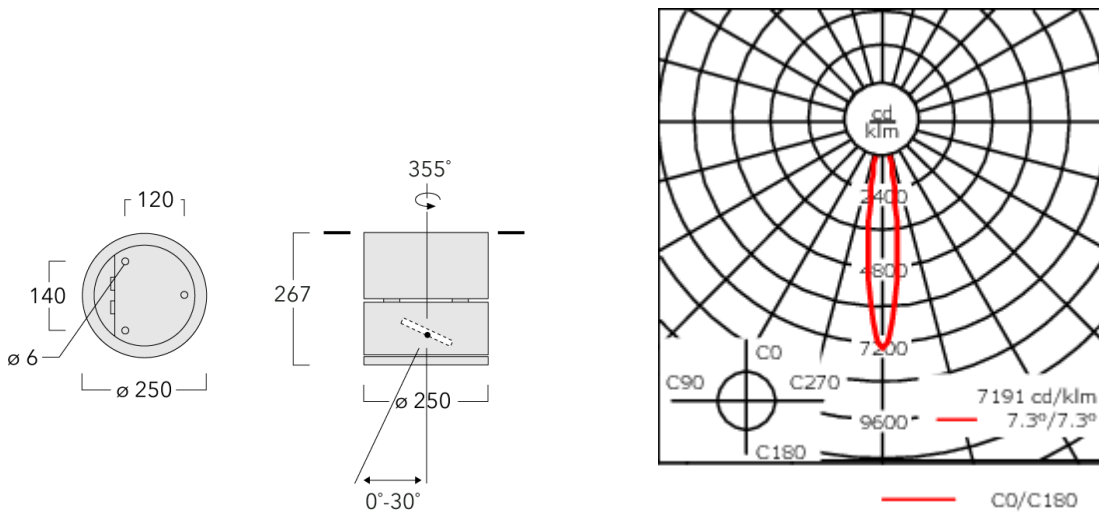
|                    |                                  |
|--------------------|----------------------------------|
| Weight             | 8.50 kg                          |
| Light distribution | symmetric, very narrow beam [EE] |
| Light source       | LED-12/18W / 500 mA - 3000 K     |
| CRI                | 80                               |
| Power supply       | EC                               |
| LEDs               | 12                               |
| Rated input power  | 21 W                             |

### Nominal Lumen (lm)

|             |      |
|-------------|------|
| LED Lumen   | 215  |
| Total Lumen | 2580 |
| Tj          | 85   |

### Rated lumens (lm)

|             |        |
|-------------|--------|
| LED Lumen   | 178.2  |
| Total Lumen | 2137.9 |
| Ta          | 25     |



## Specifications

### Material description

|                      |  |
|----------------------|--|
| Body                 | Marine-grade die-cast aluminium alloy  |
| Lens                 | Safety glass lens, hinged  |
| Colours              | <div style="display: flex; align-items: center;"> <div style="width: 20px; height: 20px; background-color: black; margin-right: 5px;"></div> <div>RAL9004 Signal black</div> </div> <div style="display: flex; align-items: center; margin-top: 5px;"> <div style="width: 20px; height: 20px; background-color: #cccccc; margin-right: 5px;"></div> <div>RAL9006 White aluminium</div> </div> <div style="display: flex; align-items: center; margin-top: 5px;"> <div style="width: 20px; height: 20px; background-color: #808080; margin-right: 5px;"></div> <div>RAL9007 Grey aluminium</div> </div> <div style="display: flex; align-items: center; margin-top: 5px;"> <div style="width: 20px; height: 20px; background-color: #e0e0e0; margin-right: 5px;"></div> <div>RAL9016 Traffic white</div> </div> |
| Gasket               | Silicone rubber gasket   |
| Fasteners            | PCS Polymer Coated Stainless Steel Hardware (unpainted)  |
| Ingress protection   | IP65   |
| Impact resistance    | IK07   |
| Corrosion resistance | 5CE+Primer   |

### Electrical description

|                  |   |
|------------------|---|
| Power supply     | 230V / 50 Hz  |
| Driver / Ballast | Integral EC electronic converter in thermally-separated compartment |

### Additional information

|          |  |
|----------|--|
| Lifetime | Ta=40° L90B10 > 90000h   |
| Warranty | The product is supplied with 10-year warranty. Please refer to the LED Warranty Statement located on <a href="http://www.we-ef.com">www.we-ef.com</a> for further details. |

**134-1602**

**DAC240-GB LED**

**we-ef**

**Control**

**DALI interface**

---

| Description    | Part ID  | C  |
|----------------|----------|----|
| DALI interface | 430-0013 | 90 |

---

**WE-EF LIGHTING Pty Ltd**

6/13 Downard Street, 3195 Braeside, Victoria - Phone: +61 3 8587 0444 - Fax: +61 3 8587 0499

info.australia@we-ef.com - <https://we-ef.com/aus>

Subject to technical changes and errors. - Generated on 23/11/2024