

147-0715

FLA730 LED

**we-ef**



### Description

IP66, Class I. IK08. Marine-grade, die-cast aluminium alloy. 5CE superior corrosion protection including PCS hardware. Silicone rubber gasket. Safety glass lens, hinged. Protractor scale for accurate aiming from 0° to 15° above horizontal. Integral EC electronic converter in thermally separated compartment. DALI. CAD-optimised optics for superior illumination and glare control. OLC® One LED Concept. Factory installed LED circuit board.

Optional 2200 K version available. To be specified at time of ordering

|                    |                                   |
|--------------------|-----------------------------------|
| Weight             | 7.40 kg                           |
| Light distribution | asymmetric, side throw beam [S65] |
| Light source       | LED-18/36W / 700 mA - 3000 K      |
| CRI                | 80                                |
| Power supply       | EC                                |
| LEDs               | 18                                |
| Rated input power  | 41 W                              |

### Nominal Lumen (lm)

|             |      |
|-------------|------|
| LED Lumen   | 290  |
| Total Lumen | 5220 |
| Tj          | 85   |

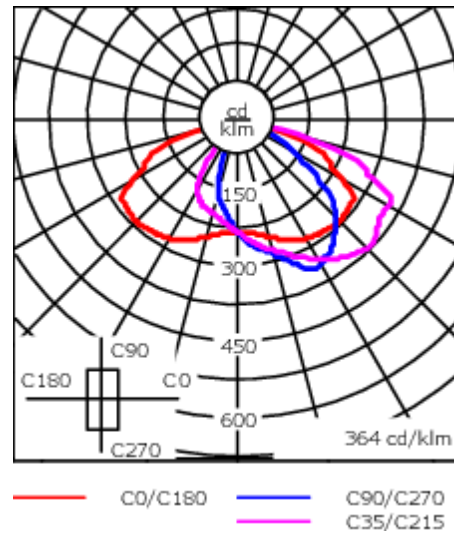
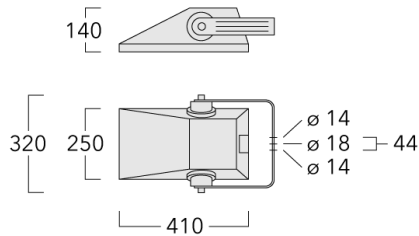
### Rated lumens (lm)

|             |        |
|-------------|--------|
| LED Lumen   | 231.7  |
| Total Lumen | 4170.5 |
| Ta          | 25     |

### WE-EF LEUCHTEN GmbH

Töpinger Straße 16, 29646 Bispingen, Germany - Phone: +49 5194 909-0  
info@we-ef.com - <https://we-ef.com>

Subject to technical changes and errors. - Generated on 23/11/2024



## Specifications

### Material description

|                      |  |
|----------------------|--|
| Body                 | Marine-grade, die-cast aluminium alloy   |
| Lens                 | Safety glass lens, hinged  |
| Colours              | <div style="display: flex; flex-direction: column; gap: 5px;"> <div><span style="display: inline-block; width: 20px; height: 10px; background-color: black; margin-right: 5px;"></span> RAL9004 Signal black</div> <div><span style="display: inline-block; width: 20px; height: 10px; background-color: #cccccc; margin-right: 5px;"></span> RAL9006 White aluminium</div> <div><span style="display: inline-block; width: 20px; height: 10px; background-color: #808080; margin-right: 5px;"></span> RAL9007 Grey aluminium</div> <div><span style="display: inline-block; width: 20px; height: 10px; background-color: #333333; margin-right: 5px;"></span> RAL7016 Anthracite grey</div> <div><span style="display: inline-block; width: 20px; height: 10px; background-color: #e0e0e0; margin-right: 5px;"></span> RAL9016 Traffic white</div> </div> |
| Gasket               | Silicone rubber gasket   |
| Fasteners            | PCS Polymer Coated Stainless Steel Hardware  |
| Ingress protection   | IP66   |
| Impact resistance    | IK08   |
| Corrosion resistance | 5CE  |
| Windage              | 0.045 m <sup>2</sup>   |

### Electrical description

|                  |  |
|------------------|--|
| Power supply     | 220-240V / 50-60 Hz                    |
| Driver / Ballast | Integral EC electronic converter. DALI |
| Surge protection | 6/6 kV (optional SP10)                 |

**147-0715**

**FLA730 LED**

**we-ef**

**Additional information**

---

Lifetime Ta=25° L90B10 > 90000h

Energy efficiency class C-D (Light source)

---

**WE-EF LEUCHTEN GmbH**

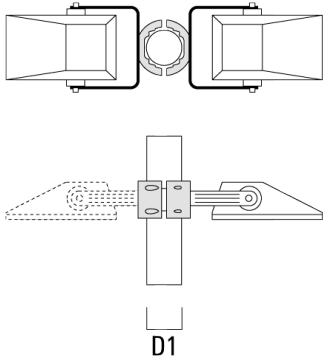
Töpinger Straße 16, 29646 Bispingen, Germany - Phone: +49 5194 909-0  
info@we-ef.com - <https://we-ef.com>

Subject to technical changes and errors. - Generated on 23/11/2024

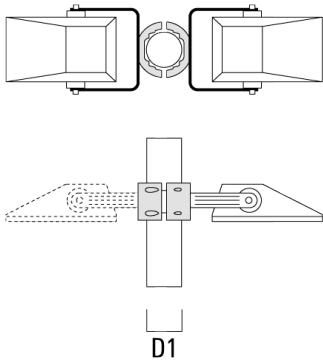
## Mounting Accessories

### Pole clamp TS

| Description                            | Part ID  | D1    | Weight (kg) | D     |
|--|----------|-------|-------------|-------|
| TS1-2/M10 Pole clamp, single (Ø 76-89) | 147-0371 | 76-89 | 1.40        | 76-89 |



|  |          |         |      |         |
|--|----------|---------|------|---------|
| TS1-2/M10 Pole clamp, single (Ø 102-114) | 147-0372 | 102-114 | 1.60 | 102-114 |
|--|----------|---------|------|---------|



147-0715

FLA730 LED

**we-ef**

---

| Description                            | Part ID  | D1    | Weight (kg) | D     |
|--|----------|-------|-------------|-------|
| TS2-2/M10 Pole clamp, double (Ø 76-89) | 147-0373 | 76-89 | 1.50        | 76-89 |

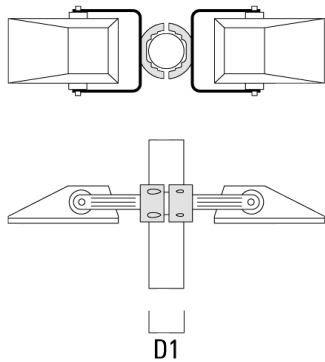
---



---

|  |          |         |      |         |
|--|----------|---------|------|---------|
| TS2-2/M10 Pole clamp, double (Ø 102-114) | 147-0374 | 102-114 | 1.60 | 102-114 |
|--|----------|---------|------|---------|

---



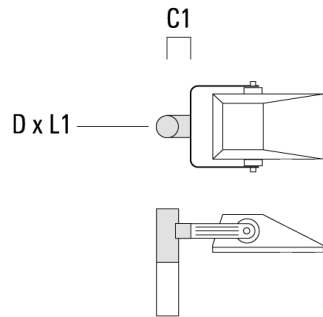
**WE-EF LEUCHTEN GmbH**

Töpinger Straße 16, 29646 Bispingen, Germany - Phone: +49 5194 909-0  
info@we-ef.com - <https://we-ef.com>

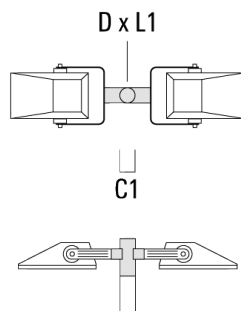
Subject to technical changes and errors. - Generated on 23/11/2024

## Floodlight mounting bracket TA

| Description                               | Part ID  | A | C1  | D x L1   | Weight (kg) | D x S    |
|---|----------|---|-----|----------|-------------|----------|
| TA1 Mounting bracket, single (Ø 76 x 200) | 147-0397 |   | 130 | 76 x 200 | 1.7         | 76 x 200 |



|   |          |  |     |          |     |          |
|---|----------|--|-----|----------|-----|----------|
| TA2 Mounting bracket, double (Ø 76 x 200) | 147-0398 |  | 130 | 76 x 200 | 1.8 | 76 x 200 |
|---|----------|--|-----|----------|-----|----------|

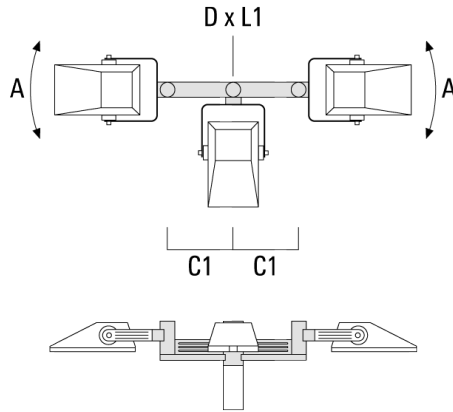


147-0715

FLA730 LED

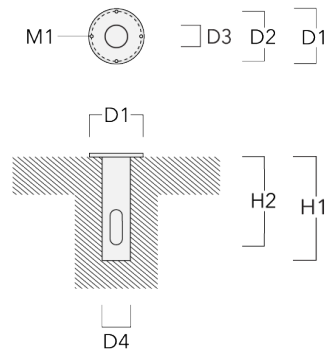
**we-ef**

| Description                               | Part ID  | A    | C1  | D x L1   | Weight (kg) | D x S    |
|---|----------|------|-----|----------|-------------|----------|
| TA3 Mounting bracket, triple (Ø 76 x 200) | 147-0404 | ±90° | 420 | 76 x 200 | 17.90       | 76 x 200 |



### Planted root

| Description       | Part ID  | D1  | D2  | D3  | D4  | H1  | H2  | M1 | Weight (kg) |
|-------------------|----------|-----|-----|-----|-----|-----|-----|----|-------------|
| Planted root ESV4 | 300-0461 | 145 | 130 | 102 | 108 | 400 | 350 | 8  | 7.05        |



### WE-EF LEUCHTEN GmbH

Töpinger Straße 16, 29646 Bispingen, Germany - Phone: +49 5194 909-0  
info@we-ef.com - <https://we-ef.com>

Subject to technical changes and errors. - Generated on 23/11/2024

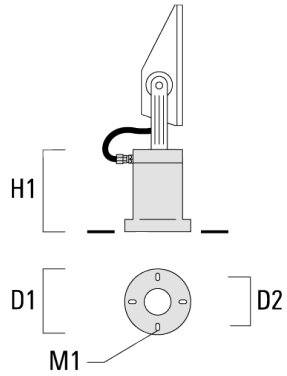
147-0715

FLA730 LED

**we-ef**

**Short post EM**

| Description | Part ID  | D1  | D2  | H1  | M1 | Weight (kg) |
|-------------|----------|-----|-----|-----|----|-------------|
| EM1-M16     | 270-9038 | 160 | 130 | 200 | 9  | 2           |



**WE-EF LEUCHTEN GmbH**

Töpinger Straße 16, 29646 Bispingen, Germany - Phone: +49 5194 909-0  
info@we-ef.com - <https://we-ef.com>

Subject to technical changes and errors. - Generated on 23/11/2024



**Optical Accessories****Light shield**

| Description | Part ID  | Additional information  |
|-------------|----------|---|
| LS180-[A60] | 430-0038 | Light shield LS180 to greatly reduce or eliminate light pollution.<br>PA injection moulded component, black matt.<br>Suitable for asymmetric light distribution [A60].                          |
| LS180       | 430-0029 | Glare Shield for backlight spill. Glare Shield factory-installed or available as retrofit kit.<br>Suitable for [S60], [S65], [S70], [R65], [P65] lenses. Must be specified at time of ordering. |