

147-0717

FLA730 LED

we-ef



Description

IP66, Class I. IK08. Marine-grade, die-cast aluminium alloy. 5CE superior corrosion protection including PCS hardware. Silicone rubber gasket. Safety glass lens, hinged. Protractor scale for accurate aiming from 0° to 15° above horizontal. Integral EC electronic converter in thermally separated compartment. DALI. CAD-optimised optics for superior illumination and glare control. OLC® One LED Concept. Factory installed LED circuit board.

Optional 2200 K version available. To be specified at time of ordering

| | |
|--------------------|-------------------------------|
| Weight | 7.40 kg |
| Light distribution | rectangular, side throw [R65] |
| Light source | LED-18/36W / 700 mA - 3000 K |
| CRI | 80 |
| Power supply | EC |
| LEDs | 18 |
| Rated input power | 41 W |

Nominal Lumen (lm)

| | |
|-------------|------|
| LED Lumen | 290 |
| Total Lumen | 5220 |
| Tj | 85 |

Rated lumens (lm)

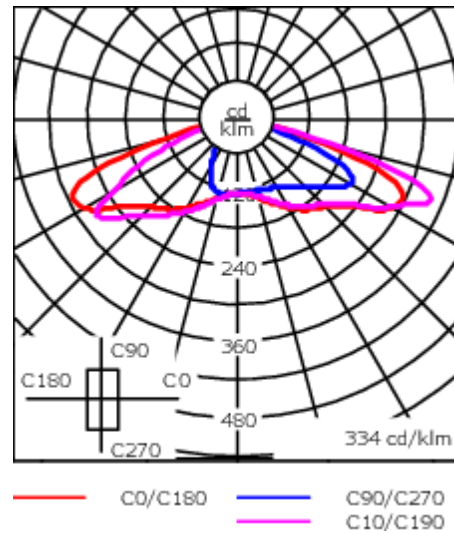
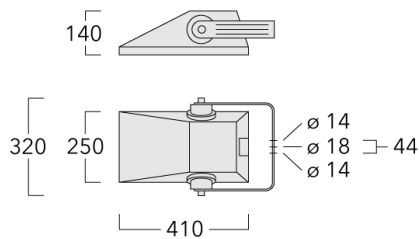
| | |
|-------------|--------|
| LED Lumen | 202.9 |
| Total Lumen | 3651.7 |
| Ta | 25 |

Fagerhult Lighting Ltd

33-34 Dolben Street, SE1 0UQ London, United Kingdom

<https://we-ef.com/uk>

Subject to technical changes and errors. - Generated on 19/04/2025



Specifications

Material description

| | |
|----------------------|--|
| Body | Marine-grade, die-cast aluminium alloy |
| Lens | Safety glass lens, hinged |
| Colours | <div style="display: flex; align-items: center;"> <div style="width: 20px; height: 15px; background-color: black; margin-right: 5px;"></div> RAL9004 Signal black </div> <div style="display: flex; align-items: center; margin-top: 5px;"> <div style="width: 20px; height: 15px; background-color: #cccccc; margin-right: 5px;"></div> RAL9006 White aluminium </div> <div style="display: flex; align-items: center; margin-top: 5px;"> <div style="width: 20px; height: 15px; background-color: #808080; margin-right: 5px;"></div> RAL9007 Grey aluminium </div> <div style="display: flex; align-items: center; margin-top: 5px;"> <div style="width: 20px; height: 15px; background-color: #333333; margin-right: 5px;"></div> RAL7016 Anthracite grey </div> <div style="display: flex; align-items: center; margin-top: 5px;"> <div style="width: 20px; height: 15px; background-color: #e0e0e0; margin-right: 5px;"></div> RAL9016 Traffic white </div> |
| Gasket | Silicone rubber gasket |
| Fasteners | PCS Polymer Coated Stainless Steel Hardware |
| Ingress protection | IP66 |
| Impact resistance | IK08 |
| Corrosion resistance | 5CE |
| Windage | 0.045 m ² |

Electrical description

| | |
|------------------|--|
| Power supply | 220-240V / 50-60 Hz |
| Driver / Ballast | Integral EC electronic converter. DALI |
| Surge protection | 6/6 kV (optional SP10) |

147-0717

FLA730 LED

we-ef

Additional information

Lifetime Ta=25° L90B10 > 90000h

Energy efficiency class C-D (Light source)

Fagerhult Lighting Ltd

33-34 Dolben Street, SE1 0UQ London, United Kingdom

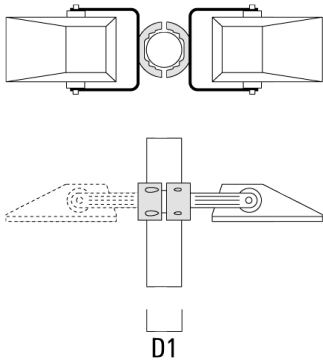
<https://we-ef.com/uk>

Subject to technical changes and errors. - Generated on 19/04/2025

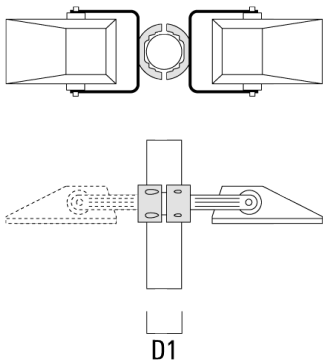
Mounting Accessories

Pole clamp TS

| Description | Part ID | D1 | Weight (kg) | D |
|--|----------|-------|-------------|-------|
| TS1-2/M10 Pole clamp, single (Ø 76-89) | 147-0371 | 76-89 | 1.40 | 76-89 |



| | | | | |
|--|----------|---------|------|---------|
| TS1-2/M10 Pole clamp, single (Ø 102-114) | 147-0372 | 102-114 | 1.60 | 102-114 |
|--|----------|---------|------|---------|

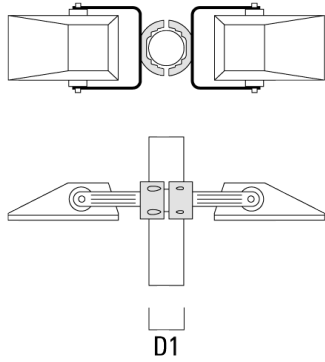


147-0717

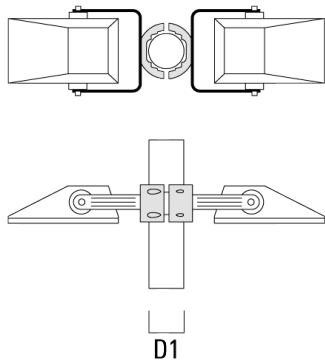
FLA730 LED

we-ef

| Description | Part ID | D1 | Weight (kg) | D |
|--|----------|-------|-------------|-------|
| TS2-2/M10 Pole clamp, double (Ø 76-89) | 147-0373 | 76-89 | 1.50 | 76-89 |

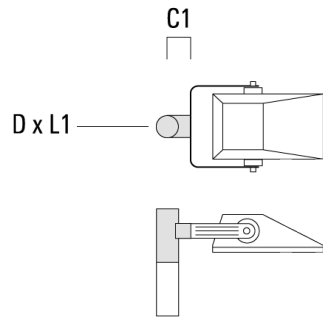


| | | | | |
|--|----------|---------|------|---------|
| TS2-2/M10 Pole clamp, double (Ø 102-114) | 147-0374 | 102-114 | 1.60 | 102-114 |
|--|----------|---------|------|---------|

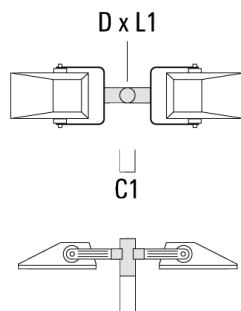


Floodlight mounting bracket TA

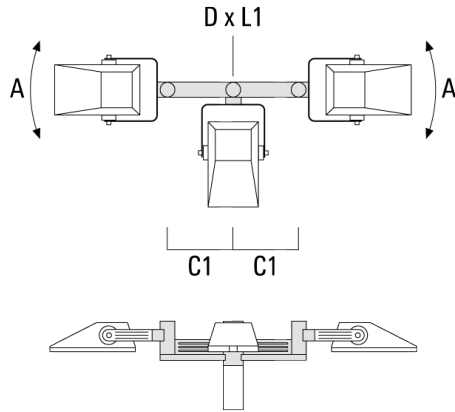
| Description | Part ID | A | C1 | D x L1 | Weight (kg) | D x S |
|---|----------|---|-----|----------|-------------|----------|
| TA1 Mounting bracket, single (Ø 76 x 200) | 147-0397 | | 130 | 76 x 200 | 1.7 | 76 x 200 |



| | | | | | | |
|---|----------|--|-----|----------|-----|----------|
| TA2 Mounting bracket, double (Ø 76 x 200) | 147-0398 | | 130 | 76 x 200 | 1.8 | 76 x 200 |
|---|----------|--|-----|----------|-----|----------|

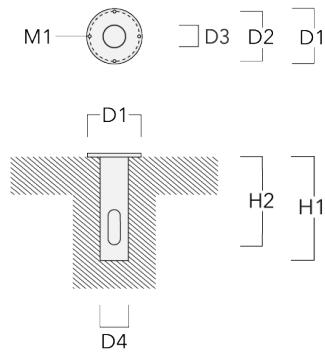


| Description | Part ID | A | C1 | D x L1 | Weight (kg) | D x S |
|---|----------|------|-----|----------|-------------|----------|
| TA3 Mounting bracket, triple (Ø 76 x 200) | 147-0404 | ±90° | 420 | 76 x 200 | 17.90 | 76 x 200 |



Planted root

| Description | Part ID | D1 | D2 | D3 | D4 | H1 | H2 | M1 | Weight (kg) |
|-------------------|----------|-----|-----|-----|-----|-----|-----|----|-------------|
| Planted root ESV4 | 300-0461 | 145 | 130 | 102 | 108 | 400 | 350 | 8 | 7.05 |



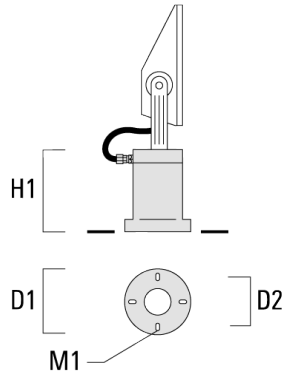
147-0717

FLA730 LED

we-ef

Short post EM

| Description | Part ID | D1 | D2 | H1 | M1 | Weight (kg) |
|-------------|----------|-----|-----|-----|----|-------------|
| EM1-M16 | 270-9038 | 160 | 130 | 200 | 9 | 2 |



Optical Accessories**Light shield**

| Description | Part ID | Additional information |
|-------------|----------|---|
| LS180-[A60] | 430-0038 | Light shield LS180 to greatly reduce or eliminate light pollution. PA injection moulded component, black matt. Suitable for asymmetric light distribution [A60]. |
| LS180 | 430-0029 | Glare Shield for backlight spill. Glare Shield factory-installed or available as retrofit kit. Suitable for [S60], [S65], [S70], [R65], [P65] lenses. Must be specified at time of ordering. |