

147-0691

FLA730 LED

we-ef



Description

IP66. IK08. Marine-grade, die-cast aluminium alloy. 5CE superior corrosion protection including PCS hardware. Safety glass lens, hinged. Silicone CCG® Controlled Compression Gasket.

Integral EC electronic converter in thermally-shielded compartment. DALI interface. Advanced thermal management protects LEDs while optimising lumens output. Removable LED boards for upgrading. CAD-optimised optics for superior illumination and glare control. OLC® One LED Concept.

Protractor scale for accurate aiming from 0° to 15° above horizontal.

| | |
|--------------------|-------------------------------|
| Weight | 7.40 kg |
| Light distribution | asymmetric, side throw [S65] |
| Light source | LED-18/54W / 1050 mA - 3000 K |
| CRI | 80 |
| Power supply | EC |
| BUG | B1 U0 G1 |
| LEDs | 18 |
| Rated input power | 59 W |

Nominal Lumen (lm)

| | |
|-------------|------|
| LED Lumen | 430 |
| Total Lumen | 7740 |
| Tj | 85 |

Rated lumens (lm)

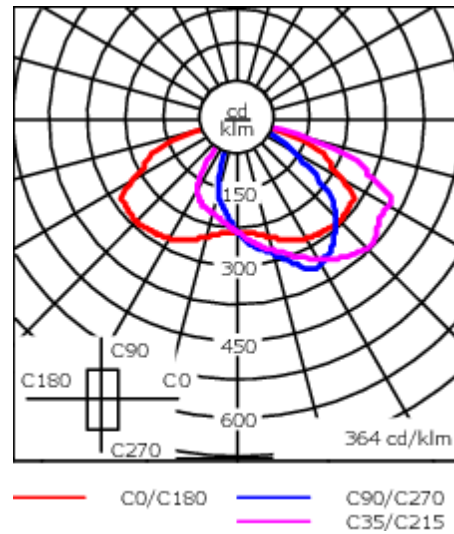
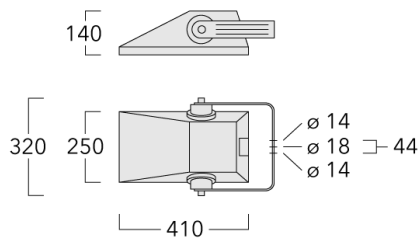
| | |
|-------------|--------|
| LED Lumen | 343.5 |
| Total Lumen | 6183.8 |
| Ta | 25 |

WE-EF LIGHTING (Thailand) Co., Ltd.

57 Moo 5, Kingkaew Rd., Bangplee, 10540 Samutprakarn - Phone: +66 2 738 96 20 - Fax: +66 2 738 96 29

<https://we-ef.com/asia>

Subject to technical changes and errors. - Generated on 23/11/2024



Specifications

Material description

| | |
|----------------------|--|
| Body | Marine-grade, die-cast aluminium alloy |
| Lens | Safety glass lens, hinged |
| Colours | <div style="display: flex; align-items: center; gap: 10px;"> <div style="width: 20px; height: 15px; background-color: black; margin-right: 5px;"></div> RAL9004 Signal black </div> <div style="display: flex; align-items: center; gap: 10px; margin-top: 5px;"> <div style="width: 20px; height: 15px; background-color: grey; margin-right: 5px;"></div> RAL9007 Grey aluminium </div> <div style="display: flex; align-items: center; gap: 10px; margin-top: 5px;"> <div style="width: 20px; height: 15px; background-color: darkgrey; margin-right: 5px;"></div> RAL7016 Anthracite grey </div> <div style="display: flex; align-items: center; gap: 10px; margin-top: 5px;"> <div style="width: 20px; height: 15px; background-color: white; margin-right: 5px;"></div> RAL9016 Traffic white </div> |
| Gasket | Silicone CCG® Controlled Compression Gasket |
| Fasteners | PCS Polymer Coated Stainless Steel Hardware |
| Ingress protection | IP66 |
| Impact resistance | IK08 |
| Corrosion resistance | 5CE |
| Windage | 0.045 m ² |

Electrical description

| | |
|------------------|--|
| Power supply | 220-240V / 50-60 Hz |
| Driver / Ballast | Integral EC electronic converter in thermally-shielded compartment with DALI interface |

Additional information

| | |
|------------|--|
| Lifetime | T _a =25° L90B10 > 90000h |
| BUG Rating | Please see individual Spec Sheets for classification of Backlight, Uplight and Glare |

WE-EF LIGHTING (Thailand) Co., Ltd.

57 Moo 5, Kingkaew Rd., Bangplee, 10540 Samutprakarn - Phone: +66 2 738 96 20 - Fax: +66 2 738 96 29

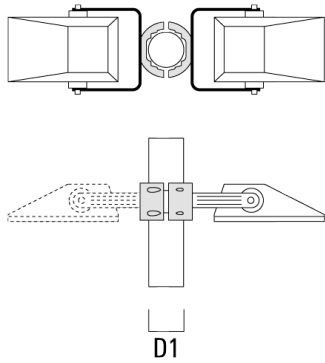
<https://we-ef.com/asia>

Subject to technical changes and errors. - Generated on 23/11/2024

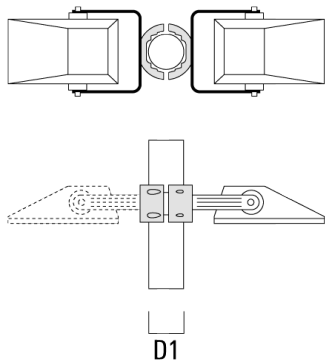
Mounting Accessories

Pole clamp

| Description | Part ID | D1 | Weight (kg) | D |
|--|----------|-------|-------------|-------|
| Pole clamp TS1-2/M10, single (Ø 76-89) | 147-0371 | 76-89 | 1.40 | 76-89 |



| | | | | |
|--|----------|---------|------|---------|
| Pole clamp TS1-2/M10, single (Ø 102-114) | 147-0372 | 102-114 | 1.60 | 102-114 |
|--|----------|---------|------|---------|

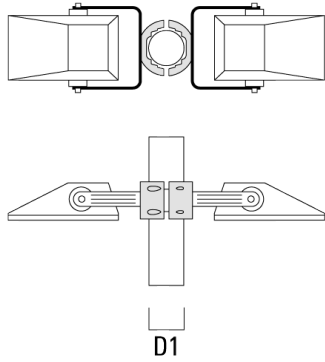


147-0691

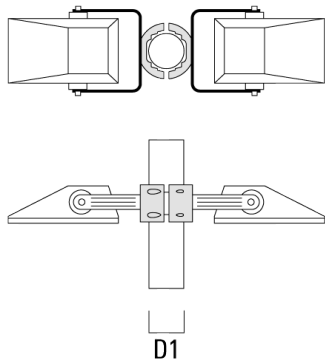
FLA730 LED

we-ef

| Description | Part ID | D1 | Weight (kg) | D |
|--|----------|-------|-------------|-------|
| Pole clamp TS2-2/M10, double (Ø 76-89) | 147-0373 | 76-89 | 1.50 | 76-89 |



| | | | | |
|--|----------|---------|------|---------|
| Pole clamp TS2-2/M10, double (Ø 102-114) | 147-0374 | 102-114 | 1.60 | 102-114 |
|--|----------|---------|------|---------|



WE-EF LIGHTING (Thailand) Co., Ltd.

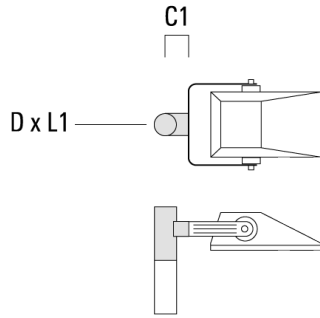
57 Moo 5, Kingkaew Rd., Bangplee, 10540 Samutprakarn - Phone: +66 2 738 96 20 - Fax: +66 2 738 96 29

<https://we-ef.com/asia>

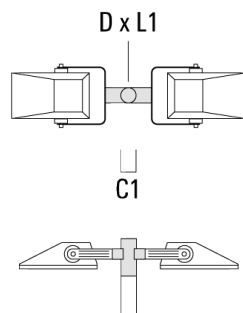
Subject to technical changes and errors. - Generated on 23/11/2024

Floodlight mounting bracket TA

| Description | Part ID | C1 | D x L1 | Weight (kg) | D x S |
|---|----------|-----|----------|-------------|----------|
| Mounting fitter TA1, single* (Ø 76 x 200) | 147-0397 | 130 | 76 x 200 | 1.7 | 76 x 200 |

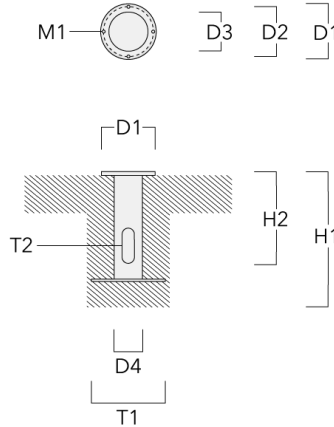


| | | | | | |
|---|----------|-----|----------|-----|----------|
| Mounting fitter TA2, double* (Ø 76 x 200) | 147-0398 | 130 | 76 x 200 | 1.8 | 76 x 200 |
|---|----------|-----|----------|-----|----------|



Planted root

| Description | Part ID | D1 | D2 | D3 | D4 | H1 | H2 | M1 | T1 | T2 | Weight (kg) |
|-------------------|-------------|-----|-----|----|----|-----|-----|----|-----|----------|-------------|
| Planted root ESV4 | 300-0461-AP | 150 | 130 | 60 | 89 | 400 | 350 | 8 | 200 | 50 x 100 | 3.85 |



Short post

| Description | Part ID | D1 | D2 | H1 | M1 | Weight (kg) |
|--------------------|----------|-----|-----|-----|----|-------------|
| Short post EM1-M16 | 270-9038 | 160 | 130 | 200 | 9 | 2 |

