

**117-0213**  
**CFY259 LED I**



**Description**

IP66. Class I. IK10. Marine-grade, all aluminum construction. 5CE superior corrosion protection including PCS hardware. Silicone CCG® Controlled Compression Gasket. Diffused safety glass lens. CAD-optimized indirect optics for superior illumination and glare control. Integral driver in thermally separated compartment. Factory-installed LED circuit board. 0-10V Dimming comes standard with luminaire.

Pre-wired post complete with cable connecting box and fuse for mains connection.

Specify product with 7 Digit product code - Finish Color. Accessories, such as mounting, optical, and electrical, must be specified separately.

Example: XXX-XXXX-9004 (Black)  
+ XXX-XXXX (Accessory 1)

|                    |                                      |
|--------------------|--------------------------------------|
| Weight             | 33.07 lb                             |
| Light distribution | asymmetric, forward-throw, one-sided |
| Light source       | LED-6/18W / 1050 mA - 3000 K         |
| CRI                | 80                                   |
| Power supply       | electronic gear                      |
| BUG                | B0 U1 G0                             |
| LEDs               | 6                                    |
| Rated input power  | 21 W                                 |

**Nominal Lumen (lm)**

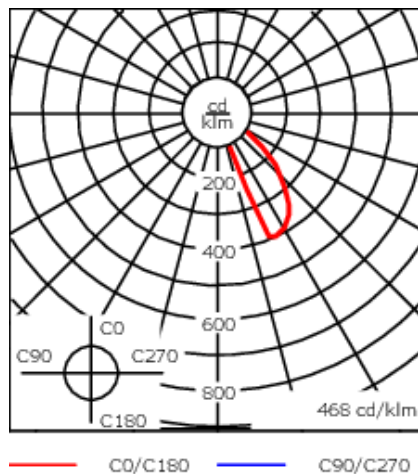
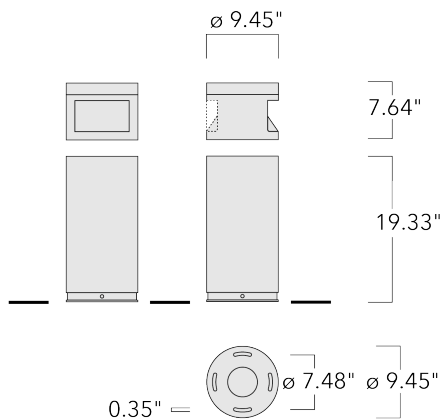
|             |      |
|-------------|------|
| LED Lumen   | 430  |
| Total Lumen | 2580 |
| Tj          | 85   |

**Rated lumens (lm)**

|             |       |
|-------------|-------|
| LED Lumen   | 91    |
| Total Lumen | 546.1 |
| Ta          | 25    |

**WE-EF LIGHTING USA, LLC**

410-D Keystone Drive, 15086 Warrendale, PA 15086 - Phone: +1 724 742 0030  
customersupport.usa@we-ef.com - <https://we-ef.com/us>  
Subject to technical changes and errors. - Generated on 11/23/2024



## Specifications

### Material description

|                      |   |
|----------------------|---|
| Body                 | Marine-grade, all-aluminium construction  |
| Lens                 | Diffused glass  |
| Colors               | <div style="display: flex; flex-direction: column; gap: 5px;"> <div style="display: flex; align-items: center;"> <div style="width: 20px; height: 15px; background-color: black; margin-right: 5px;"></div> <span>RAL9004 Black</span> </div> <div style="display: flex; align-items: center;"> <div style="width: 20px; height: 15px; background-color: #808080; margin-right: 5px;"></div> <span>RAL9007 Grey Metallic</span> </div> <div style="display: flex; align-items: center;"> <div style="width: 20px; height: 15px; background-color: #e0e0e0; margin-right: 5px;"></div> <span>RAL9016 White</span> </div> <div style="display: flex; align-items: center;"> <div style="width: 20px; height: 15px; background-color: #800000; margin-right: 5px;"></div> <span>RAL8019 Dark Bronze</span> </div> </div> |
| Gasket               | Silicone CCG® Controlled Compression Gasket   |
| Fasteners            | PCS Polymer Coated Stainless Steel Hardware   |
| Ingress protection   | IP66  |
| Impact resistance    | IK10  |
| Corrosion resistance | 5CE   |

### Electrical description

|                  |   |
|------------------|---|
| Power supply     | Integral [ECG] electronic driver 120V-277V. 0-10V dimmable, to be specified with order. |
| Driver / Ballast | Integral EC electronic converter  |
| Surge protection | Integral 10kV Surge Protector   |

#### WE-EF LIGHTING USA, LLC

**117-0213**

**CFY259 LED I**

**we-ef**

**Additional information**

---

|            |   |
|------------|---|
| Lifetime   | Ta=25°/40° L90B10 > 90000h  |
| BUG Rating | Please see individual Spec Sheets for classification of Backlight, Uplight and Glare. |
| Listings   | ETL, UL-1598, CSA-C22.2#250.0. Suitable for Wet Locations.                            |

---

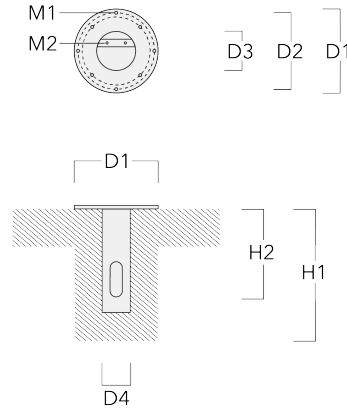
**WE-EF LIGHTING USA, LLC**

410-D Keystone Drive, 15086 Warrendale, PA 15086 - Phone: +1 724 742 0030  
customersupport.usa@we-ef.com - <https://we-ef.com/us>  
Subject to technical changes and errors. - Generated on 11/23/2024

**Mounting Accessories**

**Planted root**

| Description       | Part ID  | D1   | D2   | D3   | D4   | H1    | H2    | M1  | M2  | Weight (lb) |
|-------------------|----------|------|------|------|------|-------|-------|-----|-----|-------------|
| Planted root ESV4 | 300-0464 | 8.66 | 7.48 | 4.25 | 4.02 | 15.75 | 13.78 | .35 | .24 | 9.48        |



**Security Bollard Kits**

| Description                             | Part ID  | Additional information   |
|---|----------|--|
| SC40 CFY259 Security Bollard Kit        | 117-6000 |  |
| PU40 CFY259 Security Bollard Kit        | 117-6001 | Modification for PU40 Impact Rating; Pickup Truck (5,070 lbs) at 40 MPH; With Impact modifications, height is 42.72"                       |
| M30 CFY259 Security Bollard Kit         | 117-6002 | Modification for M30 Impact Rating; Truck (15,000 lbs) at 30 MPH; With Impact modifications, height is 47.92"                              |
| M30 Shallow CFY259 Security Bollard Kit | 117-6003 | Shallow modification for M30 Impact Rating; Truck (15,000 lbs) at 30 MPH; With Impact modifications, height is 47.92"; Burial depth of 12" |