

115-1341

ZFT440-FT LED

**we-ef**



### Description

IP66, Class I. Class II on request. IK09. Marine-grade, die-cast aluminium alloy. 5CE superior corrosion protection including PCS hardware. Silicone CCG® Controlled Compression Gasket. PMMA main lens. Integral EC electronic converter in thermally separated compartment. CAD-optimised indirect optics for superior illumination and glare control. Factory installed LED circuit board. The luminaire is factory-sealed and does not need to be opened during installation.

|                    |                              |
|--------------------|------------------------------|
| Weight             | 5.50 kg                      |
| Light distribution | symmetric distribution [C60] |
| Light source       | LED-FT-12W / 350 mA - 3000 K |
| CRI                | 80                           |
| Power supply       | EC                           |
| LEDs               | 1                            |
| Rated input power  | 14 W                         |

### Rated lumens (lm)

|             |        |
|-------------|--------|
| LED Lumen   | 1302.5 |
| Total Lumen | 1302.5 |
| Ta          | 25     |

### Nominal Lumen (lm)

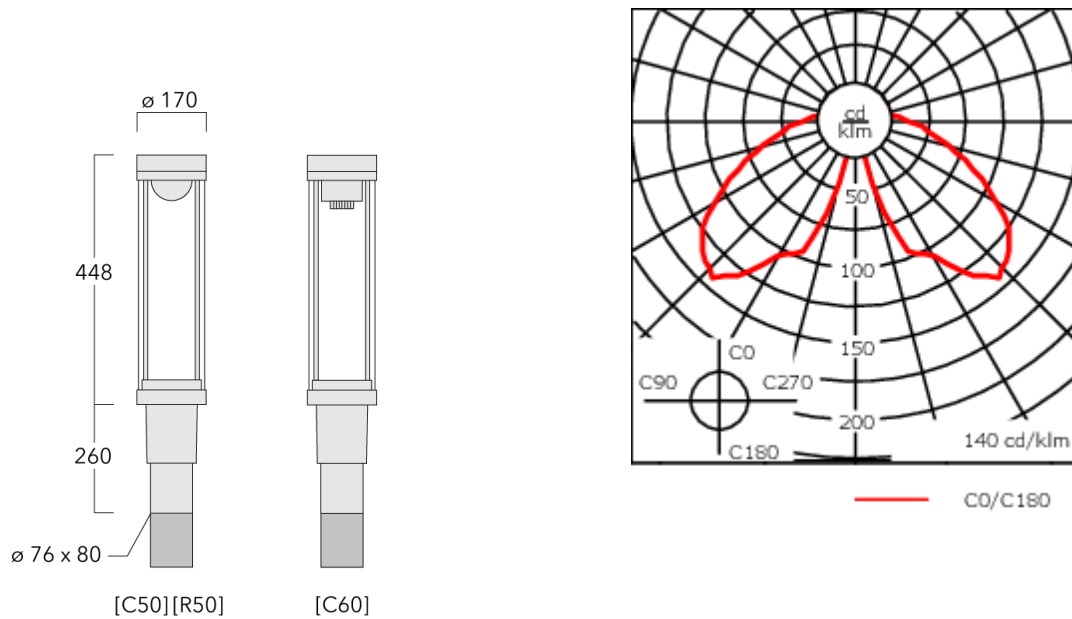
|             |      |
|-------------|------|
| LED Lumen   | 2050 |
| Total Lumen | 2050 |
| Tc          | 25   |

### Fagerhult Lighting Ltd

33-34 Dolben Street, SE1 0UQ London, United Kingdom

<https://we-ef.com/uk>

Subject to technical changes and errors. - Generated on 19/04/2025



## Specifications

### Material description

|                      |  |
|----------------------|--|
| Body                 | Marine-grade, die-cast aluminium alloy   |
| Lens                 | PMMA   |
| Colours              | <div style="display: flex; flex-direction: column; gap: 5px;"> <div><span style="display: inline-block; width: 15px; height: 15px; background-color: black; margin-right: 5px;"></span> RAL9004 Signal black</div> <div><span style="display: inline-block; width: 15px; height: 15px; background-color: #cccccc; margin-right: 5px;"></span> RAL9006 White aluminium</div> <div><span style="display: inline-block; width: 15px; height: 15px; background-color: #808080; margin-right: 5px;"></span> RAL9007 Grey aluminium</div> <div><span style="display: inline-block; width: 15px; height: 15px; background-color: #333333; margin-right: 5px;"></span> RAL7016 Anthracite grey</div> <div><span style="display: inline-block; width: 15px; height: 15px; background-color: #e0e0e0; margin-right: 5px;"></span> RAL9016 Traffic white</div> </div> |
| Gasket               | Silicone CCG® Controlled Compression Gasket  |
| Fasteners            | PCS Polymer Coated Stainless Steel Hardware  |
| Ingress protection   | IP66   |
| Impact resistance    | IK09   |
| Corrosion resistance | 5CE  |
| Windage              | 0.133 m <sup>2</sup>   |

### Electrical description

|                  |   |
|------------------|---|
| Power supply     | 220-240V / 50-60 Hz   |
| Driver / Ballast | Integral EC electronic converter in thermally-separated compartment |
| Power factor     | > 0.9   |
| Surge protection | 6/6 kV (optional SP10)  |

#### Fagerhult Lighting Ltd

33-34 Dolben Street, SE1 0UQ London, United Kingdom

<https://we-ef.com/uk>

Subject to technical changes and errors. - Generated on 19/04/2025

**115-1341**

**ZFT440-FT LED**

**we-ef**

**Additional information**

---

Lifetime Ta=25° L70B50 > 50000h

Energy efficiency class C-D (Light source)

---

**115-1341**

**ZFT440-FT LED**

**we-ef**

## **Control**

### **Eco Step Dim® Basic**

| Description             | Part ID  |
|-------------------------|----------|
| Eco Step Dim® Basic LED | 430-0001 |

### **Eco Step Dim® Advanced**

| Description                | Part ID  |
|----------------------------|----------|
| Eco Step Dim® Advanced LED | 430-0002 |

**Fagerhult Lighting Ltd**

33-34 Dolben Street, SE1 0UQ London, United Kingdom

<https://we-ef.com/uk>

Subject to technical changes and errors. - Generated on 19/04/2025

**Mounting Accessories**

**Wall and pole brackets RZ**

| Description                  | Part ID  | C1  | D1  | D2  | D × L1  | M1 | Weight (kg) |
|------------------------------|----------|-----|-----|-----|---------|----|-------------|
| RZ0-400 Wall bracket, single | 115-1324 | 277 | 231 | 195 | 76 x 80 | 12 | 3.50        |



|                              |          |     |  |  |          |  |      |
|------------------------------|----------|-----|--|--|----------|--|------|
| RZ2-400 Pole bracket, double | 115-1323 | 258 |  |  | 76 x 100 |  | 4.90 |
|------------------------------|----------|-----|--|--|----------|--|------|



115-1341

ZFT440-FT LED

**we-ef**

## Optical Accessories

### Light shield

| Description | Part ID  | H1  |
|-------------|----------|-----|
| LS180-[C60] | 159-0321 | 120 |

