

115-1342

ZFT440-FT LED

**we-ef**



**Description**

IP66. Post top luminaire with shielded light source and canopy highlight feature.

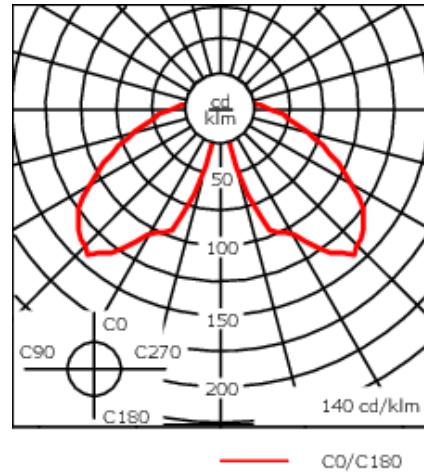
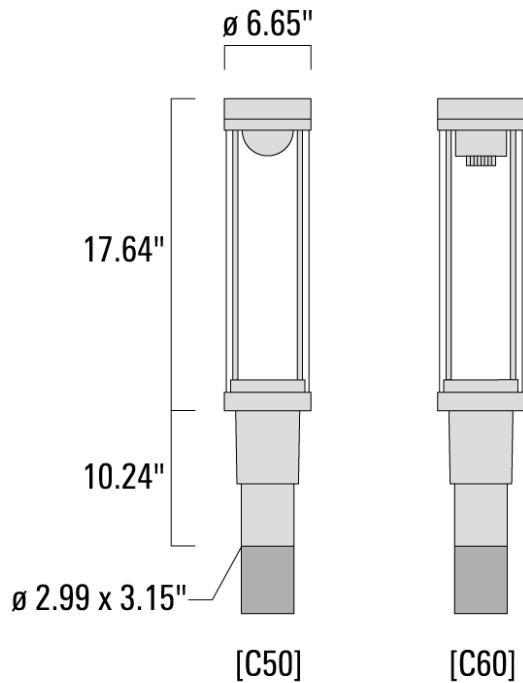
|                           |                              |
|---------------------------|------------------------------|
| Weight                    | 13.00 lb                     |
| Light distribution        | symmetric distribution [C60] |
| Light source              | LED-FT 12W (4000K)           |
| CRI                       | 80                           |
| Power supply              | electronic gear              |
| LEDs                      | 1                            |
| Rated input power         | 14 W                         |
| <b>Rated lumens (lm)</b>  |                              |
| LED Lumen                 | 1372.4                       |
| Total Lumen               | 1372.4                       |
| Ta                        | 25                           |
| <b>Nominal Lumen (lm)</b> |                              |
| LED Lumen                 | 2160                         |
| Total Lumen               | 2160                         |
| Tc                        | 25                           |

**WE-EF LIGHTING USA, LLC**

410-D Keystone Drive, 15086 Warrendale, PA 15086 - Phone: +1 724 742 0030

customersupport.usa@we-ef.com - <https://we-ef.com/us>

Subject to technical changes and errors. - Generated on 10/23/2024



**Specifications**

**Material description**

|                      |   |
|----------------------|---|
| Body                 | Marine-grade die-cast aluminium alloy   |
| Lens                 | LED PMMA double lens  |
| Colors               | <div style="display: flex; flex-direction: column; gap: 5px;"> <div><span style="display: inline-block; width: 15px; height: 15px; background-color: black; margin-right: 5px;"></span> RAL9004 Black</div> <div><span style="display: inline-block; width: 15px; height: 15px; background-color: grey; margin-right: 5px;"></span> RAL9007 Grey Metallic</div> <div><span style="display: inline-block; width: 15px; height: 15px; background-color: white; margin-right: 5px;"></span> RAL9016 White</div> <div><span style="display: inline-block; width: 15px; height: 15px; background-color: darkgrey; margin-right: 5px;"></span> RAL8019 Dark Bronze</div> </div> |
| Gasket               | Silicone rubber gasket  |
| Fasteners            | PCS polymer coated stainless steel hardware   |
| Ingress protection   | IP66  |
| Impact resistance    | IK09  |
| Corrosion resistance | 5CE   |
| Windage              | 0.133 m <sup>2</sup>  |

**WE-EF LIGHTING USA, LLC**

410-D Keystone Drive, 15086 Warrendale, PA 15086 - Phone: +1 724 742 0030

customersupport.usa@we-ef.com - <https://we-ef.com/us>

Subject to technical changes and errors. - Generated on 10/23/2024

**115-1342**

**we-ef**

**ZFT440-FT LED**

**Electrical description**

---

|                  |   |
|------------------|---|
| Power supply     | Integral [ECG] electronic LED driver in 120 - 277 volt.             |
| Driver / Ballast | Integral EC electronic converter in thermally-separated compartment |
| Power factor     | > 0.9   |

---

**Additional information**

---

|          |  |
|----------|--|
| Lifetime | Ta=25°/40° L70B50 > 50000h                         |
| Listings | Contact WE-EF USA for ETL/UL certification status. |

---

**WE-EF LIGHTING USA, LLC**

410-D Keystone Drive, 15086 Warrendale, PA 15086 - Phone: +1 724 742 0030

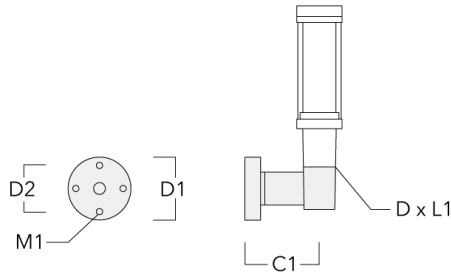
customersupport.usa@we-ef.com - <https://we-ef.com/us>

Subject to technical changes and errors. - Generated on 10/23/2024

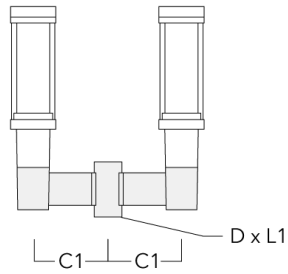
**Mounting Accessories**

**Wall and pole brackets RZ**

| Description                  | Part ID  | C1     | D1   | D2    | D x L1  | M1    | Weight(lb) |
|------------------------------|----------|--------|------|-------|---------|-------|------------|
| RZ0-400 Wall bracket, single | 115-1324 | 10.90" | 9.1" | 7.67" | 3" x 3" | 0.47" | 7.72 lbs   |



|                              |          |        |  |  |         |  |          |
|------------------------------|----------|--------|--|--|---------|--|----------|
| RZ2-400 Pole bracket, double | 115-1323 | 10.16" |  |  | 3" x 3" |  | 10.8 lbs |
|------------------------------|----------|--------|--|--|---------|--|----------|



**115-1342**

**ZFT440-FT LED**

**WE-EF LIGHTING USA, LLC**

410-D Keystone Drive, 15086 Warrendale, PA 15086

Phone: +1 724 742 0030

customersupport.usa@we-ef.com

<https://we-ef.com/us>

Subject to technical changes and errors.

Generated on 10/23/2024

**we-ef**

---

A Fagerhult Group Company