

187-0329

VLR120 [LA10]

**we-ef**



#### Description

IP67, Class I. IK09. Marine-grade, all aluminium construction. 5CE superior corrosion protection + primer including PCS hardware. PMMA cover. Silicone rubber gasket. Linear PMMA LED lens. 1.2 m connecting cable, UV stabilized, PVC free. Luminaire is factory sealed and does not need to be opened during installation and can be tilted up to 180°. Integral LED driver with DALI interface.

Separate LED driver on request.

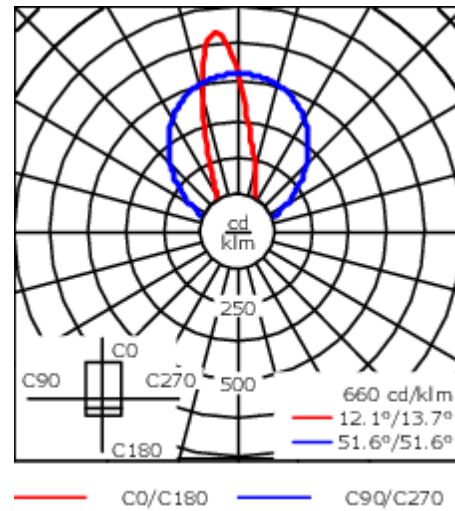
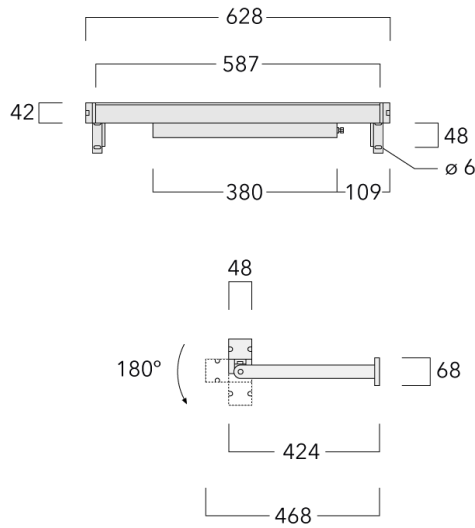
|                           |                                    |
|---------------------------|------------------------------------|
| Weight                    | 2.45 kg                            |
| Light distribution        | asymmetric linear, wallwash [LA10] |
| Light source              | LED-32/20W / 225 mA - 4000 K       |
| CRI                       | 80                                 |
| Power supply              | EC                                 |
| LEDs                      | 32                                 |
| Rated input power         | 23.5 W                             |
| <b>Nominal Lumen (lm)</b> |                                    |
| LED Lumen                 | 90                                 |
| Total Lumen               | 2880                               |
| Tj                        | 85                                 |
| <b>Rated lumens (lm)</b>  |                                    |
| LED Lumen                 | 64.1                               |
| Total Lumen               | 2049.8                             |
| Ta                        | 25                                 |

#### WE-EF LIGHTING Pty Ltd

6/13 Downard Street, 3195 Braeside, Victoria - Phone: +61 3 8587 0444 - Fax: +61 3 8587 0499

info.australia@we-ef.com - <https://we-ef.com/aus>

Subject to technical changes and errors. - Generated on 23/11/2024



## Specifications

### Material description

|                      |  |
|----------------------|--|
| Body                 | Marine-grade, all-aluminium construction   |
| Lens                 | PMMA   |
| Colours              | <div style="display: flex; align-items: center;"> <div style="width: 20px; height: 15px; background-color: black; margin-right: 5px;"></div> <span>RAL9004 Signal black</span> </div> <div style="display: flex; align-items: center; margin-top: 5px;"> <div style="width: 20px; height: 15px; background-color: #cccccc; margin-right: 5px;"></div> <span>RAL9006 White aluminium</span> </div> <div style="display: flex; align-items: center; margin-top: 5px;"> <div style="width: 20px; height: 15px; background-color: #808080; margin-right: 5px;"></div> <span>RAL9007 Grey aluminium</span> </div> |
| Gasket               | Silicone rubber gasket   |
| Fasteners            | PCS Polymer Coated Stainless Steel Hardware (unpainted)  |
| Ingress protection   | IP67   |
| Impact resistance    | IK09   |
| Corrosion resistance | 5CE+Primer   |

### Electrical description

|                  |   |
|------------------|---|
| Power supply     | 230V / 50 Hz                            |
| Driver / Ballast | Integral LED driver with DALI Interface |

### Additional information

|          |  |
|----------|--|
| Lifetime | Ta=40° L90B10 > 90000h   |
| Warranty | The product is supplied with 10-year warranty. Please refer to the LED Warranty Statement located on <a href="http://www.we-ef.com">www.we-ef.com</a> for further details. |

#### WE-EF LIGHTING Pty Ltd

6/13 Downard Street, 3195 Braeside, Victoria - Phone: +61 3 8587 0444 - Fax: +61 3 8587 0499

info.australia@we-ef.com - <https://we-ef.com/aus>

Subject to technical changes and errors. - Generated on 23/11/2024