



Description

IP67, Class I. IK07. Stainless steel construction inground section. Die-cast hood with 30° angle made from marine-grade aluminium alloy avoids glare to passers-by and helps prevent accumulation of insects, leaves and debris on the lens. 5CE superior corrosion protection including PCS hardware. Silicone rubber gasket. Safety glass lens. Integral EC electronic converter in thermally separated compartment. CAD-optimised optics for superior illumination and glare control. Factory installed LED circuit board. Factory-sealed termination chamber complete with cable gland including spiral cable bending protection and 1.5 m of flexible PVC free cable.

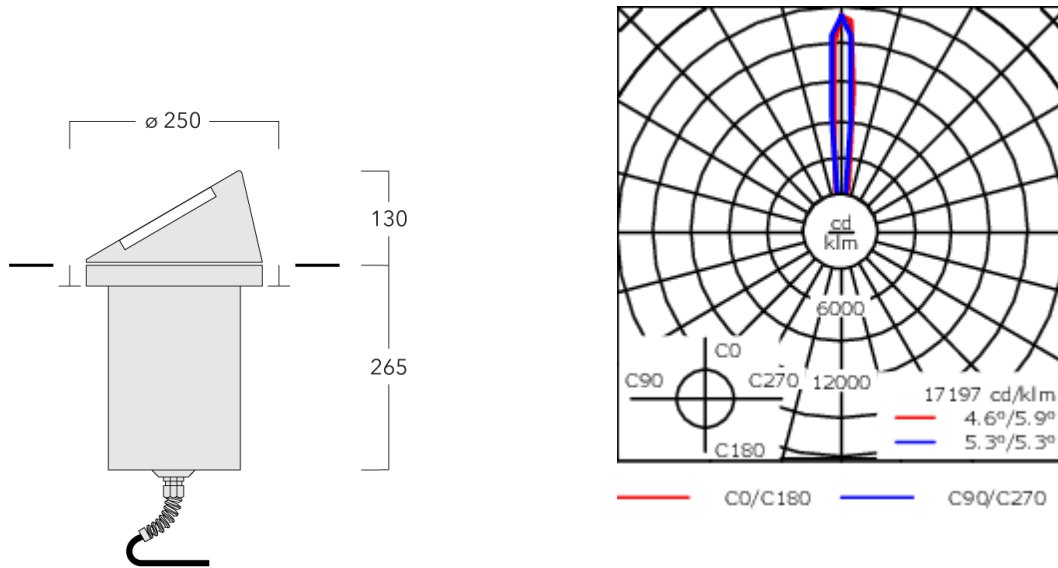
The optional installation blackout is recommended for mounting. To be ordered separately.

| | |
|---------------------------|--|
| Weight | 7.90 kg |
| Light distribution | symmetric, very narrow beam, sharp cut-off [EES] |
| Light source | LED-12/18W / 500 mA - 3000 K |
| CRI | 80 |
| Power supply | EC |
| LEDs | 12 |
| Rated input power | 21 W |
| Nominal Lumen (lm) | |
| LED Lumen | 215 |
| Total Lumen | 2580 |
| Tj | 85 |
| Rated lumens (lm) | |
| LED Lumen | 157.9 |
| Total Lumen | 1894.3 |
| Ta | 25 |

185-3081

ESC130 LED

we-ef



Specifications

Material description

| | |
|----------------------|---|
| Body | Stainless steel construction. Marine grade high pressure die cast aluminum frame. |
| Lens | Safety glass lens |
| Colours | <ul style="list-style-type: none">■ RAL9004 Signal black■ RAL9006 White aluminium■ RAL9007 Grey aluminium■ RAL7016 Anthracite grey■ RAL9016 Traffic white |
| Gasket | Silicone rubber gasket |
| Fasteners | PCS Polymer Coated Stainless Steel Hardware |
| Ingress protection | IP67 |
| Impact resistance | IK07 |
| Corrosion resistance | 5CE |

Electrical description

| | |
|------------------|----------------------------------|
| Power supply | 220-240V / 50-60 Hz |
| Driver / Ballast | Integral EC electronic converter |
| Power factor | > 0.9 |
| Surge protection | 6/6 kV |

Fagerhult Lighting Ltd

33-34 Dolben Street, SE1 0UQ London, United Kingdom

<https://we-ef.com/uk>

Subject to technical changes and errors. - Generated on 23/11/2024

185-3081

ESC130 LED

we-ef

Additional information

Lifetime Ta=25° L90B10 > 90000h

Energy efficiency class C-D (Light source)

Fagerhult Lighting Ltd

33-34 Dolben Street, SE1 0UQ London, United Kingdom

<https://we-ef.com/uk>

Subject to technical changes and errors. - Generated on 23/11/2024

185-3081

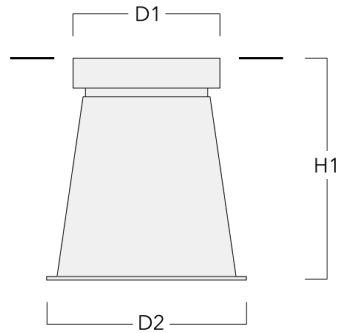
ESC130 LED

we-ef

Mounting Accessories

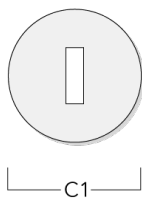
Installation blackout

| Description | Part ID | D1 | D2 | H1 | Weight (kg) | D | H |
|-------------------|----------|-----|-----|-----|-------------|---------|-----|
| Blockout, Plastic | 185-0322 | 250 | 270 | 375 | 1.50 | 250/270 | 375 |



Installation cover

| Description | Part ID | C1 |
|-----------------------|----------|-----|
| Installation cover BE | 185-0325 | 250 |



Fagerhult Lighting Ltd

33-34 Dolben Street, SE1 0UQ London, United Kingdom

<https://we-ef.com/uk>

Subject to technical changes and errors. - Generated on 23/11/2024

185-3081

ESC130 LED

we-ef

Electrical Accessories

Sealable junction box

| Description | Part ID | C1 | M1 | M2 |
|------------------------------|----------|-----|------|-----------|
| Sealable junction box SJB130 | 185-1624 | 146 | Ø 10 | Ø 12 - 19 |

