



### Description

IP67\*, Class I. IK10+. Stainless steel construction including PCS hardware. Silicone rubber gasket. Safety glass lens; max. load 5 tonnes. Luminaire can be driven over at low speed. Factory-sealed termination chamber complete with cable gland and 1.5 m of flexible PVC free cable. Cable gland with spiral cable bending protection. Integral EC electronic converter in thermally separated compartment. 'No tool' removable gear/lens tray. CAD-optimised optics for superior illumination and glare control. OLC® One LED Concept. Factory installed LED circuit board. Gimbal mounted, 360° rotatable and 30° tiltable.

The optional installation blackout is recommended for mounting. To be ordered separately.

The luminaire is not suitable for permanent underwater operation and must be switched off in the event of flooding.

Optional with Anti-Slip ceramic Coating ASC to DIN 51130 (Trip Classification 10) available on request.

\* Additionally tested to IP66, IP67, IP68 0.1 bar 3h, up to 1 m depth according to DIN EN 60598 and IP69K/80° according to DIN EN 60529.

|                    |                              |
|--------------------|------------------------------|
| Weight             | 10.60 kg                     |
| Light distribution | wallwash                     |
| Light source       | LED-24/24W / 350 mA - 3000 K |
| CRI                | 80                           |
| Power supply       | EC                           |
| LEDs               | 24                           |
| Rated input power  | 26.5 W                       |

### Nominal Lumen (lm)

|             |      |
|-------------|------|
| LED Lumen   | 155  |
| Total Lumen | 3720 |
| Tj          | 85   |

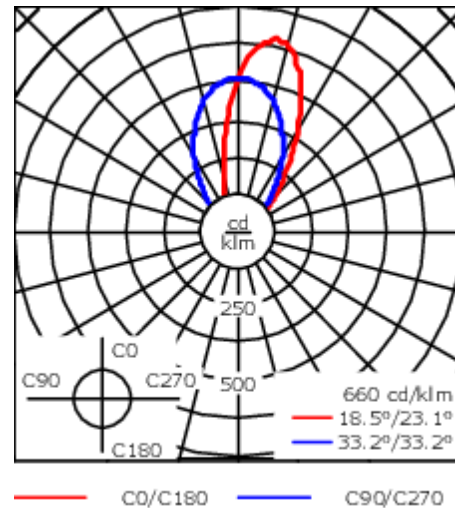
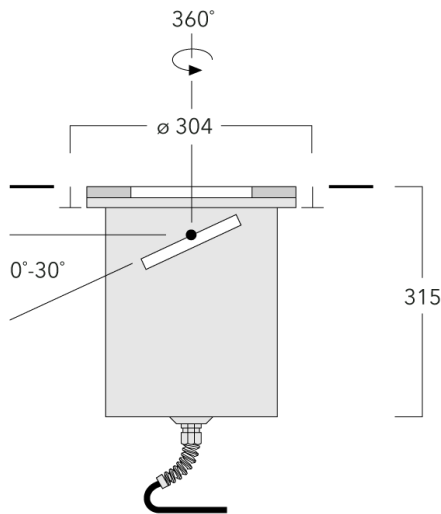
### Rated lumens (lm)

|             |        |
|-------------|--------|
| LED Lumen   | 105.1  |
| Total Lumen | 2521.6 |
| Ta          | 25     |

### WE-EF LEUCHTEN GmbH


Töpinger Straße 16, 29646 Bispingen, Germany - Phone: +49 5194 909-0  
info@we-ef.com - <https://we-ef.com>

Subject to technical changes and errors. - Generated on 23/11/2024



## Specifications

### Material description

|                      |   |
|----------------------|---|
| Body                 | Stainless steel construction  |
| Lens                 | Safety glass lens; max. load 5 tonnes   |
| Colours              |  Stainless Steel |
| Gasket               | Silicone rubber gasket  |
| Fasteners            | PCS Polymer Coated Stainless Steel Hardware   |
| Ingress protection   | IP67  |
| Impact resistance    | IK10+   |
| Corrosion resistance | 5CE   |

### Electrical description

|                  |                                  |
|------------------|----------------------------------|
| Power supply     | 220-240V / 50-60 Hz              |
| Driver / Ballast | Integral EC electronic converter |
| Surge protection | 6/6 kV                           |

### Additional information

|                         |                        |
|-------------------------|------------------------|
| Lifetime                | Ta=25° L90B10 > 90000h |
| Energy efficiency class | C-D (Light source)     |

#### WE-EF LEUCHTEN GmbH

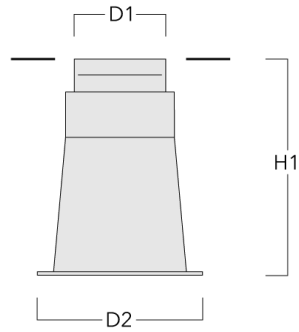
Töpinger Straße 16, 29646 Bispingen, Germany - Phone: +49 5194 909-0  
 info@we-ef.com - <https://we-ef.com>

Subject to technical changes and errors. - Generated on 23/11/2024

## Mounting Accessories

### Installation blackout

| Description       | Part ID  | D1  | D2  | H1  | Weight (kg) | D       | H   |
|-------------------|----------|-----|-----|-----|-------------|---------|-----|
| Blockout, Plastic | 185-0323 | 300 | 325 | 420 | 2.50        | 300/325 | 420 |



### Installation cover

| Description           | Part ID  | C1  |
|-----------------------|----------|-----|
| Installation cover BE | 185-0326 | 300 |



185-3093

ETC140-GB LED

**we-ef**

## Electrical Accessories

### Sealable junction box

| Description                  | Part ID  | C1  | M1   | M2        |
|------------------------------|----------|-----|------|-----------|
| Sealable junction box SJB130 | 185-1624 | 146 | Ø 10 | Ø 12 - 19 |



**WE-EF LEUCHTEN GmbH**

Töpinger Straße 16, 29646 Bispingen, Germany - Phone: +49 5194 909-0  
info@we-ef.com - <https://we-ef.com>

Subject to technical changes and errors. - Generated on 23/11/2024

### Optical Accessories

#### Linear spread lens

---

| Description            | Part ID  | C1  |
|------------------------|----------|-----|
| IO-180-6 ETC140-GB-LED | 185-2719 | 149 |

---



---

#### Flood lens

---

| Description       | Part ID  | C1  |
|-------------------|----------|-----|
| Flood lens IO-360 | 185-2867 | 149 |

---



**185-3093**

**ETC140-GB LED**

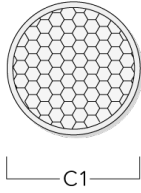
**we-ef**

**Honeycomb louvre**

---

| Description      | Part ID  | C1  |
|------------------|----------|-----|
| Honeycomb Louvre | 185-2871 | 149 |

---



**WE-EF LEUCHTEN GmbH**

Töpinger Straße 16, 29646 Bispingen, Germany - Phone: +49 5194 909-0  
info@we-ef.com - <https://we-ef.com>

Subject to technical changes and errors. - Generated on 23/11/2024