



**Description**

IP66. Class I. IK07. Marine-grade, die-cast aluminum alloy. 5CE superior corrosion protection including PCS hardware. Silicone CCG® Controlled Compression Gasket. Safety glass lens. Two cable entries. CAD-optimized optics for superior illumination and glare control. Integral driver. OLC® One LED Concept. Factory-installed LED circuit board. 0-10V Dimming comes standard with luminaire.

Specify product with 7 Digit product code - Finish Color. Accessories, such as mounting, optical, and electrical, must be specified separately.

Example: XXX-XXXX-9004 (Black)  
+ XXX-XXXX (Accessory 1)

For DarkSky compliant configurations of this product, please find the spec sheet and DarkSky certificate in the library.

|                           |  |
|---------------------------|--|
| Weight                    | 10.80 lb                                 |
| Light distribution        | symmetric, narrow beam up and down [N/N] |
| Light source              | LED-2x6/24W / 700 mA - 2700 K            |
| CRI                       | 80                                       |
| Power supply              | electronic gear                          |
| LEDs                      | 12                                       |
| Rated input power         | 27 W                                     |
| <b>Nominal Lumen (lm)</b> |  |
| LED Lumen                 | 270                                      |
| Total Lumen               | 3240                                     |
| Tj                        | 85                                       |
| <b>Rated lumens (lm)</b>  |  |
| LED Lumen                 | 203.9                                    |
| Total Lumen               | 2447.1                                   |
| Ta                        | 25                                       |

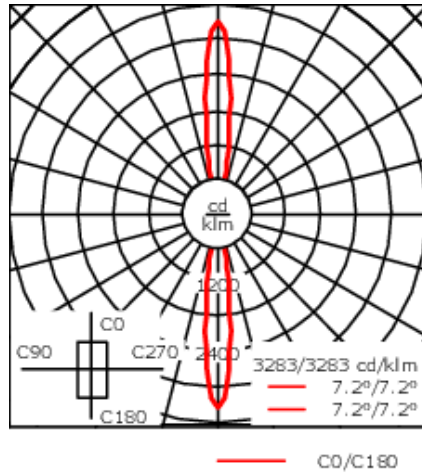
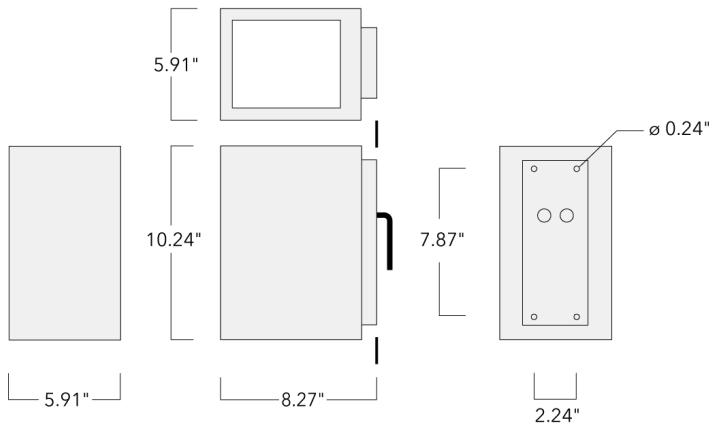
**WE-EF LIGHTING USA, LLC**

410-D Keystone Drive, 15086 Warrendale, PA 15086 - Phone: +1 724 742 0030  
customersupport.usa@we-ef.com - <https://we-ef.com/us>  
Subject to technical changes and errors. - Generated on 11/23/2024

131-9339

**we-ef**

VLS420 LED



## Specifications

### Material description

|                      |  |
|----------------------|--|
| Body                 | Marine-grade, die-cast aluminium alloy   |
| Lens                 | Safety glass lens  |
| Colors               | <ul style="list-style-type: none"> <li><span style="display: inline-block; width: 20px; height: 10px; background-color: black; margin-right: 5px;"></span> RAL9004 Black</li> <li><span style="display: inline-block; width: 20px; height: 10px; background-color: grey; margin-right: 5px;"></span> RAL9007 Grey Metallic</li> <li><span style="display: inline-block; width: 20px; height: 10px; background-color: white; margin-right: 5px;"></span> RAL9016 White</li> <li><span style="display: inline-block; width: 20px; height: 10px; background-color: darkgrey; margin-right: 5px;"></span> RAL8019 Dark Bronze</li> </ul> |
| Gasket               | Silicone rubber gasket   |
| Fasteners            | PCS hardware   |
| Ingress protection   | IP66   |
| Impact resistance    | IK07   |
| Corrosion resistance | 5CE  |

### Electrical description

|                  |   |
|------------------|---|
| Power supply     | Integral [ECG] electronic driver 120V-277V. 0-10V dimmable, to be specified with order. |
| Driver / Ballast | Standard. Optional DALI version available. To be specified at time of ordering.         |

### Additional information

|            |   |
|------------|---|
| Lifetime   | Ta=25°/40° L90B10 > 90000h  |
| BUG Rating | Please see individual Spec Sheets for classification of Backlight, Uplight and Glare. |
| Listings   | ETL listed. Suitable for wet locations.   |

#### WE-EF LIGHTING USA, LLC

410-D Keystone Drive, 15086 Warrendale, PA 15086 - Phone: +1 724 742 0030

customersupport.usa@we-ef.com - <https://we-ef.com/us>

Subject to technical changes and errors. - Generated on 11/23/2024

### Mounting Accessories

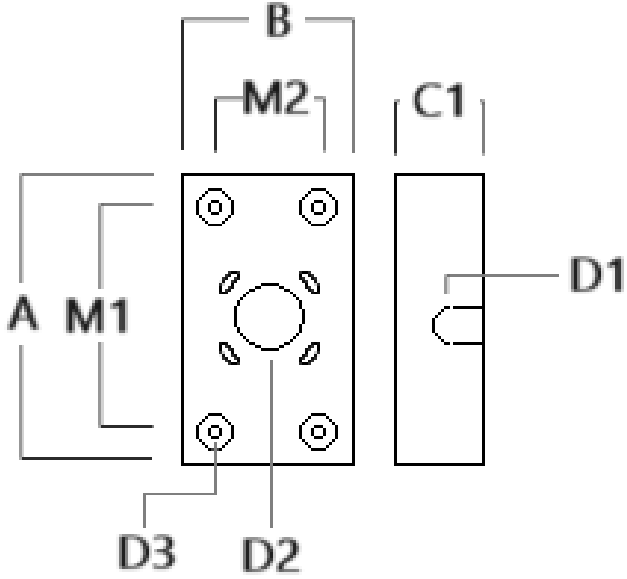
#### Column fitter

| Description | Part ID  | C1   | D1     | H1   | H2   | M1   | Weight (lb) |
|-------------|----------|------|--------|------|------|------|-------------|
| CF-410/420  | 131-9140 | 3.27 | ≥ 5.51 | 8.66 | 3.94 | 0.24 | 1.32        |



**Surface Collar**

| Description            | Part ID  | A    | B    | C1   | D1 | D2   | D3    | M1 | M2 |
|------------------------|----------|------|------|------|----|------|-------|----|----|
| VLS/SLS Surface Collar | 131-6004 | 8.66 | 3.66 | 1.75 | ∅1 | ∅1.5 | ∅0.38 | 6  | 2  |



**131-9339**

**VLS420 LED**

**we-ef**

## **Electrical Accessories**

### **Emergency Lighting Package**

| Description                               | Part ID  | Additional information  |
|---|----------|---|
| _LS420/430 LED Emergency Lighting Package | 131-6900 | Emergency battery backup operating for a minimum 90 minutes when power is lost. |

**WE-EF LIGHTING USA, LLC**

410-D Keystone Drive, 15086 Warrendale, PA 15086 - Phone: +1 724 742 0030  
customersupport.usa@we-ef.com - <https://we-ef.com/us>  
Subject to technical changes and errors. - Generated on 11/23/2024