



Description

IP55, Class I. IK08. Marine-grade, die-cast aluminium alloy. 5CE superior corrosion protection including PCS hardware. Silicone rubber gasket. Safety glass lens. Two cable entries.

A pre-installation blockout is available and recommended for mounting in concrete walls

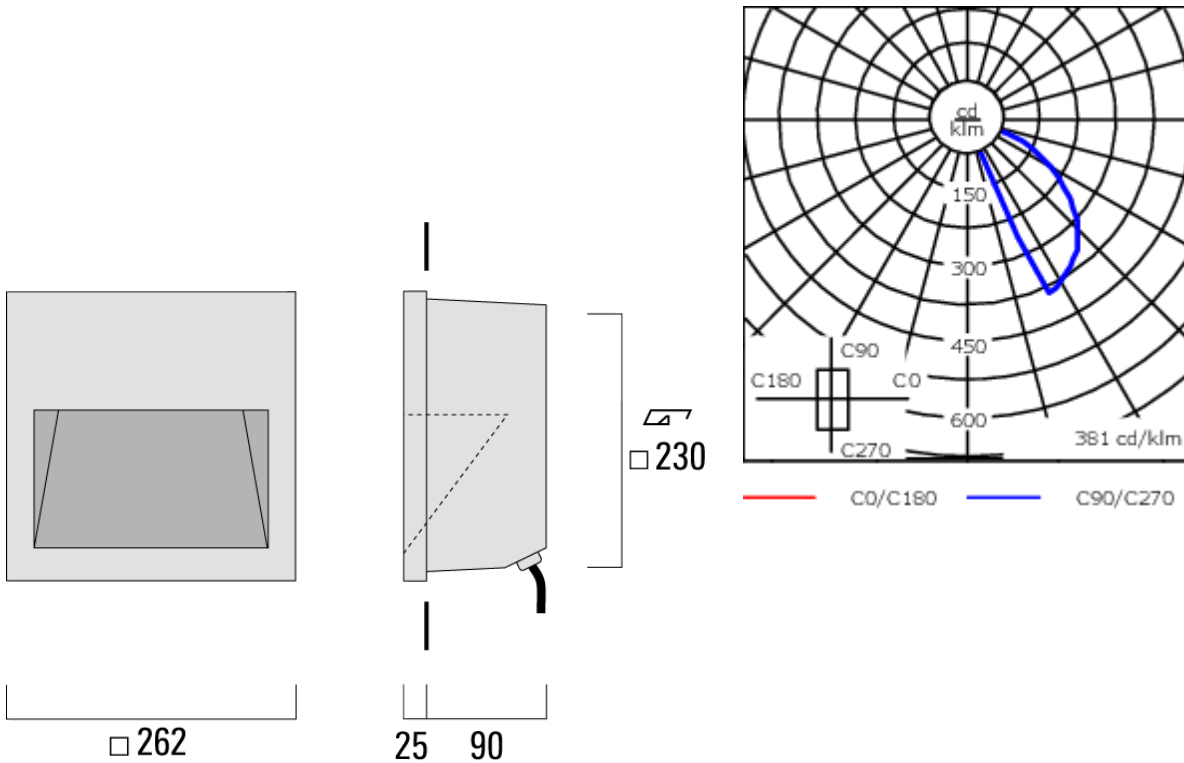
Weight	3.40 kg
Light distribution	asymmetric, forward throw [A60]
Light source	LED-12W / 350 mA - 4000 K
CRI	80
Power supply	EC
LEDs	36
Rated input power	15 W

Nominal Lumen (lm)

LED Lumen	61.7
Total Lumen	2220
Tj	85

Rated lumens (lm)

LED Lumen	14.8
Total Lumen	531
Ta	25



Specifications

Material description

Body	Marine-grade, die-cast aluminium alloy
Lens	Safety glass lens
Colours	<ul style="list-style-type: none"> RAL9004 Signal black RAL9006 White aluminium RAL9007 Grey aluminium RAL7016 Anthracite grey RAL9016 Traffic white
Gasket	Silicone rubber gasket
Fasteners	PCS Polymer Coated Stainless Steel Hardware
Ingress protection	IP55
Impact resistance	IK08
Corrosion resistance	5CE

197-9086

QRI354 LED

we-ef

Electrical description

Power supply	220-240V / 50-60 Hz
Driver / Ballast	Integral EC electronic converter
Surge protection	1/2 kV

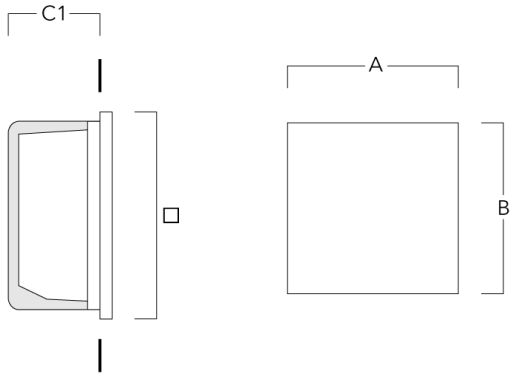
Additional information

Lifetime	LED >60,000 h Ta 25°(B10/70) Control gear >50,000 h Ta 25°
----------	--

Mounting Accessories

Installation blackout

Description	Part ID	A	B	C1	C
Installation blackout BQR35-I	197-0129	272	272	125	125



Installation blackout BQR35-II	197-0132	272	272	150	150
--------------------------------	----------	-----	-----	-----	-----

