



Description

IP55. IK08. Marine-grade, die-cast aluminium alloy. 5CE superior corrosion protection including PCS hardware. Safety glass lens. Silicone rubber gasket.

Integral EC electronic converter. Advanced thermal management protects LEDs while optimising lumens output. Two cable entries.

Pre-installation blockout is recommended for mounting in concrete, available on request.

Weight	3.40 kg
Light distribution	asymmetric, forward throw [A60]
Light source	LED-12W / 350 mA - 4000 K
CRI	80
Power supply	EC
LEDs	36
Rated input power	15 W

Nominal Lumen (lm)

LED Lumen	61.7
Total Lumen	2220
Tj	85

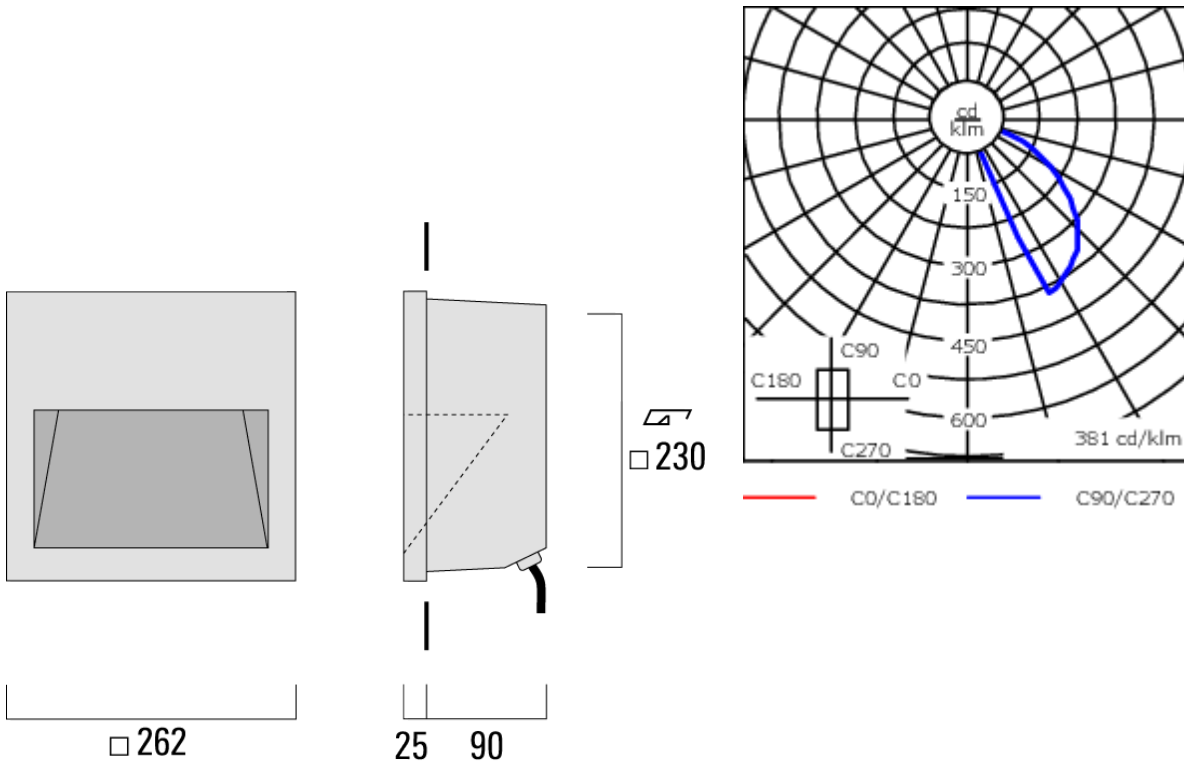
Rated lumens (lm)

LED Lumen	14.8
Total Lumen	531
Ta	25

197-9086




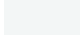
QRI354 LED

we-ef



Specifications

Material description

Body	Marine-grade, die-cast aluminium alloy
Lens	Safety glass lens
Colours	 RAL9004 Signal black  RAL9007 Grey aluminium  RAL7016 Anthracite grey  RAL9016 Traffic white
Gasket	Silicone rubber gasket
Fasteners	PCS hardware
Ingress protection	IP55
Impact resistance	IK08
Corrosion resistance	5CE

Electrical description

Driver / Ballast	Integral EC electronic converter
------------------	----------------------------------

WE-EF LIGHTING (Thailand) Co., Ltd.

57 Moo 5, Kingkaew Rd., Bangplee, 10540 Samutprakarn - Phone: +66 2 738 96 20 - Fax: +66 2 738 96 29

<https://we-ef.com/asia>

Subject to technical changes and errors. - Generated on 23/11/2024

197-9086

QRI354 LED

we-ef

Additional information

WE-EF LIGHTING (Thailand) Co., Ltd.

57 Moo 5, Kingkaew Rd., Bangplee, 10540 Samutprakarn - Phone: +66 2 738 96 20 - Fax: +66 2 738 96 29

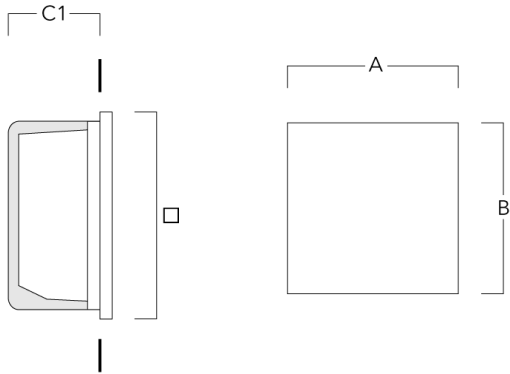
<https://we-ef.com/asia>

Subject to technical changes and errors. - Generated on 23/11/2024

Mounting Accessories

Installation blackout

Description	Part ID	A	B	C1	C
Installation blackout BQR35-I	197-0129	272	272	125	125



Installation blackout BQR35-II	197-0132	272	272	150	150
--------------------------------	----------	-----	-----	-----	-----

